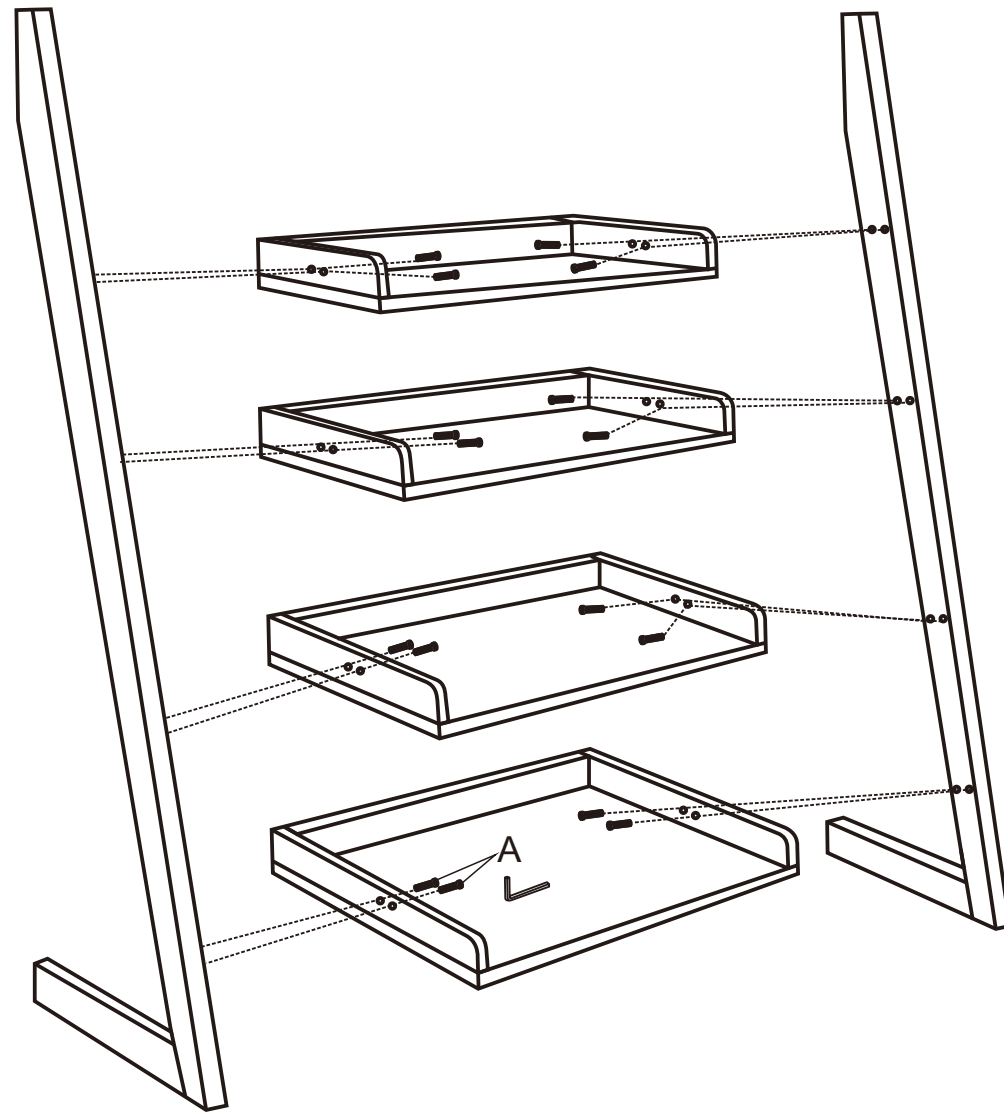


Demonstration diagram of bookshelf installation

【 1 】 Using Accessory A, install the pallet, accessory B fixation



【 2 】 Installation complete

