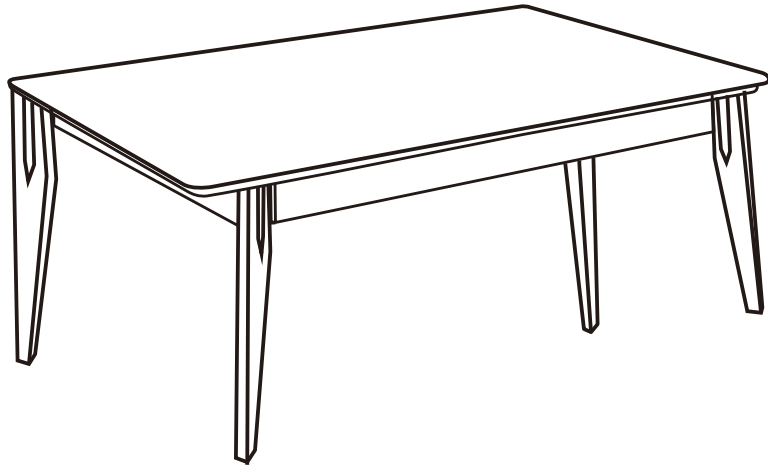





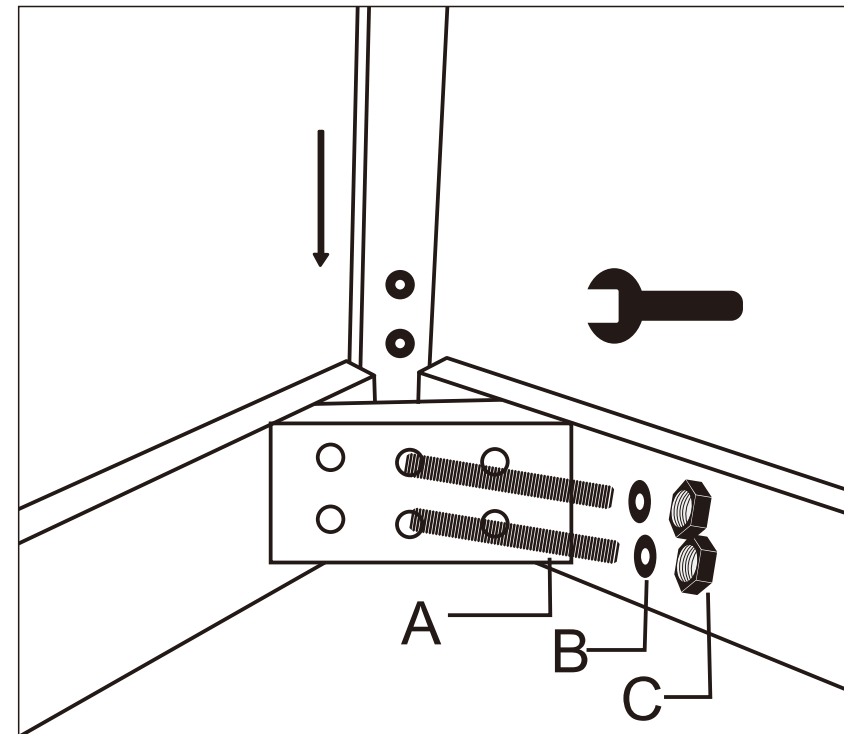
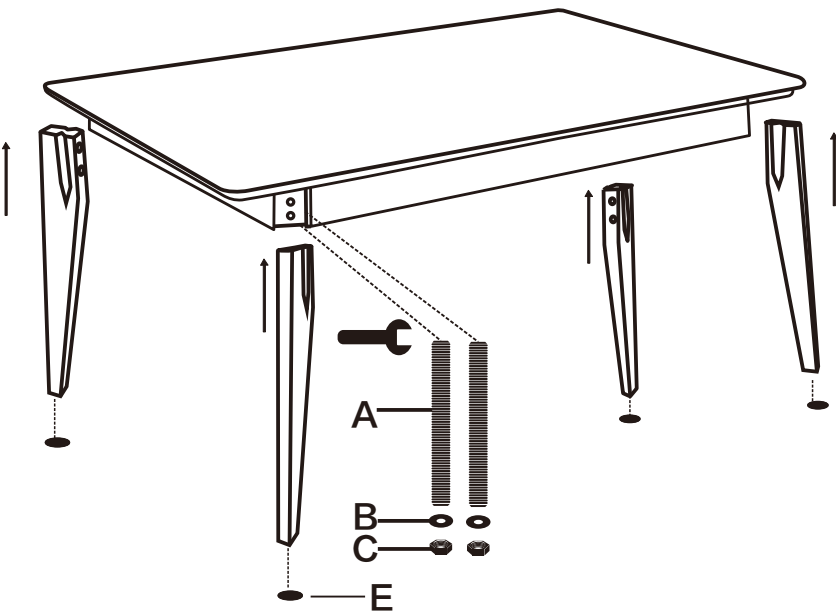


Coffee table installation diagram



Parts List			
A	B	D	
	 8pcs	 1pcs	
	C	E	
	 8pcs	 4pcs	



Set foot installation: Put the accessories A-B-C put it in the hole in order, and tighten it with a wrench