

安装示意图/Assembly Instruction

产品名称 Model NO.

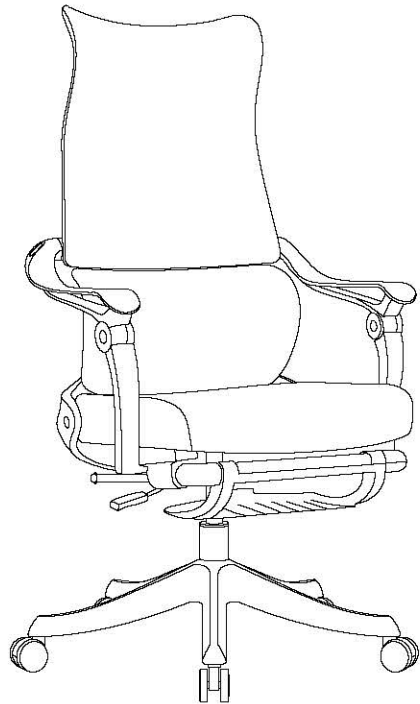
BY126-A/B

尺寸规格 Specification

650*650*1140-1220mm

安装工具 Tools required

安装人数 No. of people required



五金表/Hardware list

编号 NO	名称 Name	图示 Diagram	数量 QTR
Ⓐ	六角扳手 Wrench		1
Ⓑ	平头内六角螺丝 Scerw (M10x40)		2
Ⓒ	平头内六角螺丝 Scerw (M10x30)		2
Ⓓ	插销 Blot		1
Ⓔ	插销卡扣 Blot buckle		1
Ⓕ	闷盖 Cover		2

部件表/Parts List

编号 NO	名称 Name	图示 Diagram	数量 QTR	材质 Material
①	背 Back		1	塑料+布料 Plastic+Cloth
②	座+扶手+托盘+可调节压缩气动杆 Cushion+Armrest+Tray+Adjustable compressed pneumatic rod		1	布料+海绵+胶合板+塑料+铁 Cloth+Sponge+Plywood+Plastic+Iron
③	三级气杆 Class 3 gaslift		1	铁 Iron
④	脚 Foot		1	塑料 Plastic
⑤	PU轮 PU wheel		5	铁+塑料 Iron+Plastic

产品名称 Model NO

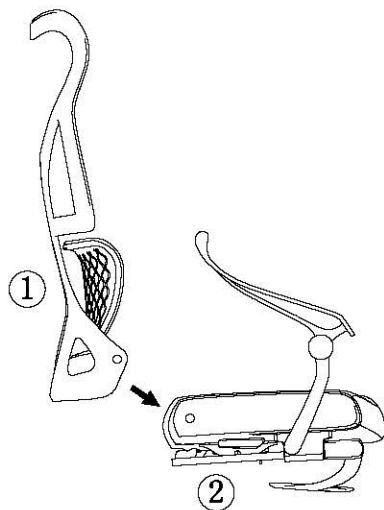
安装示意图

Assembly Instruction

STEP: 1

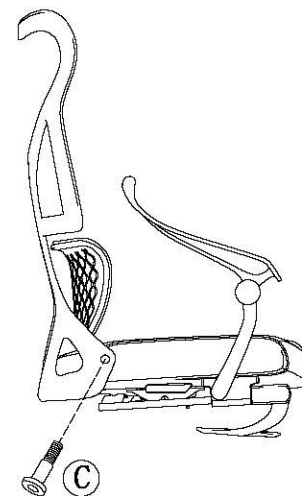
将部件1（背）和部件2（座+扶手+托盘+可调节压缩气动杆）安装孔对齐

Align the mounting holes of part 1(Back) and part 2 (Cushion+Armrest+Tray+Adjustable compressed pneumatic rod).

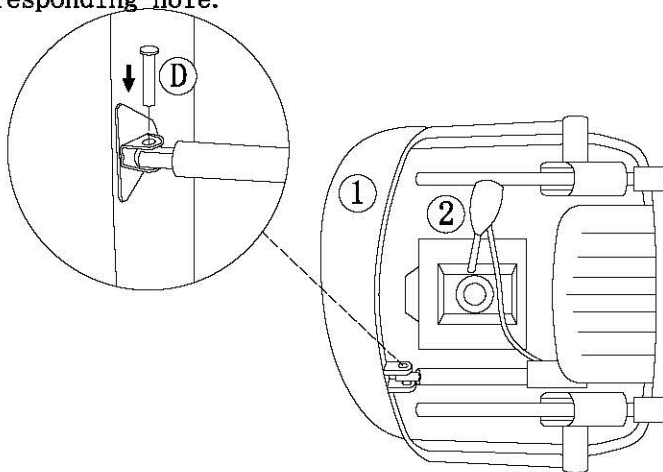
**STEP: 2**

将部件1（背）和部件2（座+扶手+托盘+可调节压缩气动杆）用配件C（平头内六角M10*30mm）固定

Fix part 1(Back) and part 2(Cushion+Armrest+Tray+Adjustable compressed pneumatic rod) with accessory C(M10*30mm Scerw).

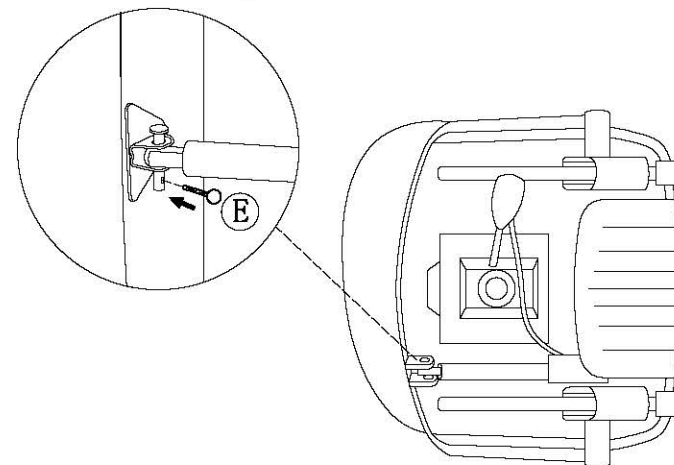
**STEP: 3**

将部件1（背）下部和部件2（座+扶手+托盘+可调节压缩气动杆）后部对齐，再将配件D（插销）插入对应孔Align the part 1(Back) with part 2(Cushion+Armrest+Tray+Adjustable compressed pneumatic rod), then insert accessory D(Blot) into the corresponding hole.

**STEP: 4**

将配件E（插销卡扣）插入配件D（插销）对应孔，并将配件E（插销卡扣）末端左右分开

Insert accessory E(Bolt buckle) into the corresponding hole of accessory D(Blot), then separate the end of accessory E(Bolt buckle) to the left and right.



产品名称 Model NO

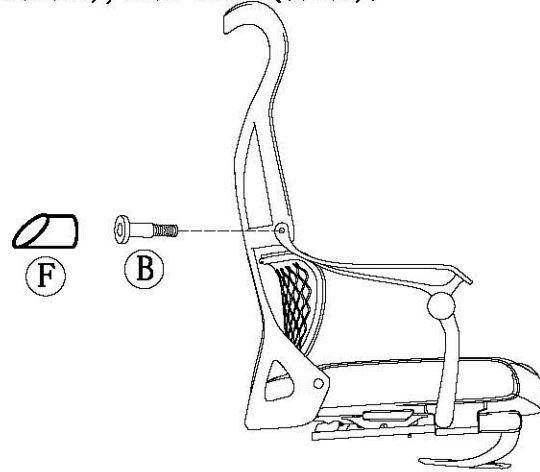
安装示意图

Assembly Instruction

STEP: 5

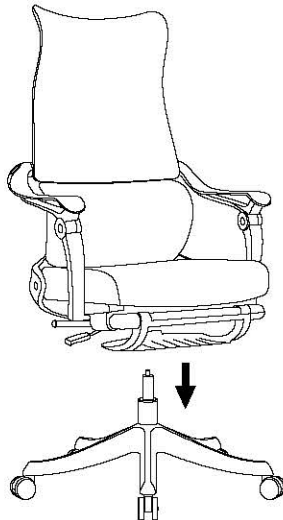
将部件2（座+扶手+托盘+可调节压缩气动杆）的扶手和部件1（背）的孔位对齐，用配件B（平头内六角M10*40mm）固定，再安装配件F（闷盖）

Confirm the position of hole before fix part 2 (Cushion+Armrest+Tray+Adjustable compressed pneumatic rod) to part 1(Back) with accessory B(M10*40mm screws), then fix F(cover).

**STEP: 7**

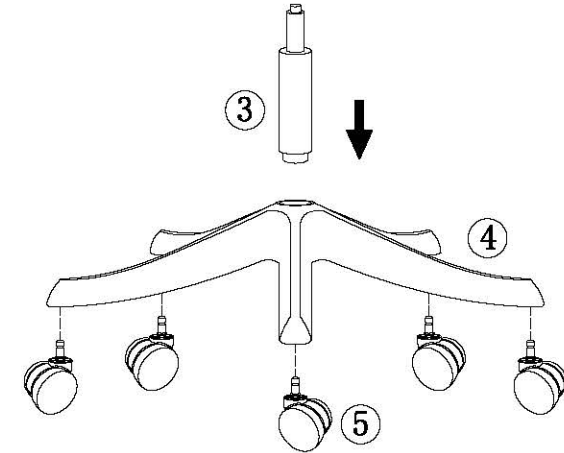
将部件2（座+扶手+托盘+可调节压缩气动杆）插入部件3（三级气杆）上

Insert part 2(Cushion+Armrest+Tray+Adjustable compressed pneumatic rod)) into part 3(Class 3 gaslift).

**STEP: 6**

将部件5（PU轮）插入部件4（塑料脚）上，再将部件3（三级气杆）插入部件4（塑料脚）上

Insert part 5(PU wheel) into part 4(Foot), then insert part 3(Class 3 gaslift) into part 4(Foot)

**STEP: 8**

安装完成

Installation completed.

