

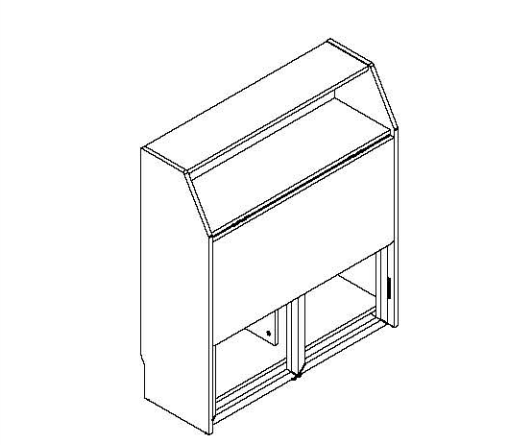
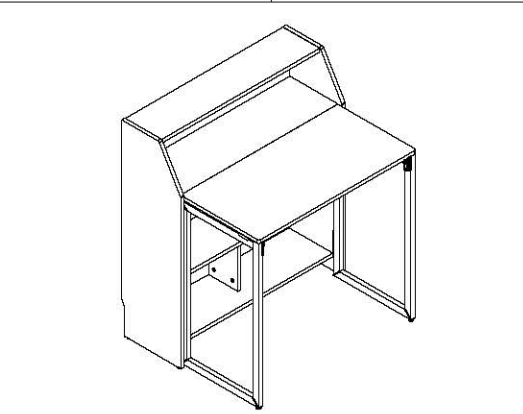
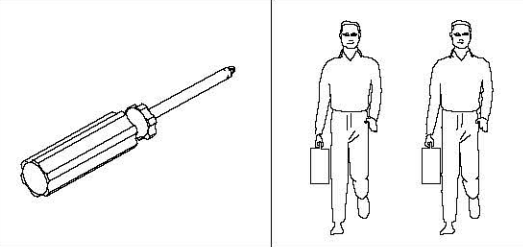
LINSY 林氏家居

五金表/Hardware list

部件表/Parts List

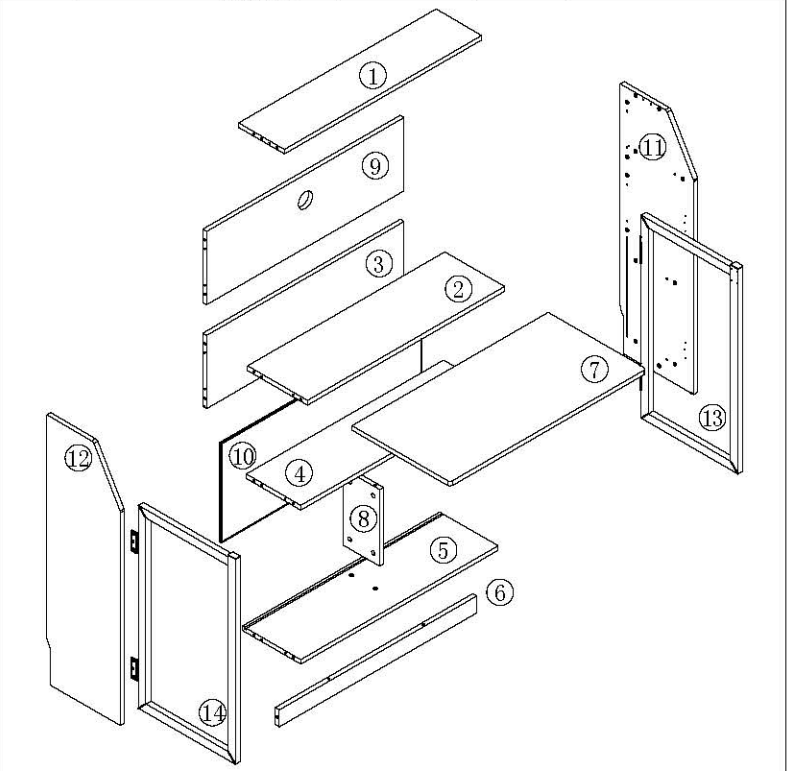
安装示意图/Assembly Instruction

产品名称 Model NO.	BG031-A(B) 电脑桌 Computer desk
产品规格 Specification	836*280/680*950mm
安装工具 Tool	安装人数 Installer



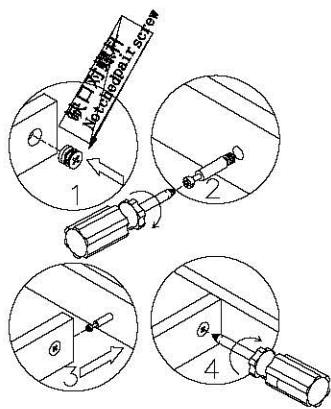
(A)*32 偏心杆M6*40 Cam bolt	(B)*6 脚钉 Foot nails	(C)*2 插销 Bolt	(D)*8 十字沉头M3*12 Cross screw
(E)*2 调节脚垫M6*15 Adjustable foot pad	(F)*24 十字沉头ST4*14 Self-tapping screw	(G)*24 木榫Φ6*30 Wood tenon	(H)*32 偏心轮Φ15 Cam lock
(I)*1 穿线盒Φ60 Threading cover	(J)*2 合页 Hinge	(K)*2 限位片 limit plate	(L)*4 十字盘头ST4*14 Cross round screw
(M)*2 十字大扁头ST4*20 large flat head self tapping screw	(N)*2 十字沉头ST4*35 Cross screw	(O)*4 垫片 Shim	(P)*2 膨胀管 Expansion pipe
(Q)*2 防倾倒带 Anti-fall device	(R)*6 防撞垫 Anti-fall device		

编号NO.	名称Name	规格 Specification	数量QTY	材质Material
①	柜顶板 Cabinet top board	804*186*16	1	刨花板 Particle board
②	台面板1 Table top	804*244*16	1	刨花板 Particle board
③	背拉板1 Back panel	804*258*16	1	刨花板 Particle board
④	层板 Shelf	804*222*16	1	刨花板 Particle board
⑤	底板 Bottom board	804*238*16	1	刨花板 Particle board
⑥	脚部支撑板 Support board	804*60*16	1	刨花板 Particle board
⑦	台面板2 Table top	800*400*16	1	刨花板 Particle board
⑧	拉板 Partition plate	270*150*16	1	刨花板 Particle board
⑨	背拉板2 Back board	804*258*16	1	刨花板 Particle board
⑩	后背板2 Back board	814*346*5	1	纤维板 Fiberboard
⑪	右侧板 Right side board	946*300*16	1	刨花板 Particle board
⑫	左侧板 Left side board	946*300*16	1	刨花板 Particle board
⑬	右侧片结合件 Right side connector	722*395*20	1	钢 Steel
⑭	左侧片结合件 Left side connector	722*395*20	1	钢 Steel



BG031-A(B)

安装方法/Installation method



二合一/2 in 1

温馨提示:

请正确使用螺丝, 否则将会造成产品严重损坏

Warm tips:

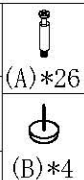
Please use the correct screws, otherwise the product will be seriously damaged.

注意:

完成组装后再锁紧螺丝

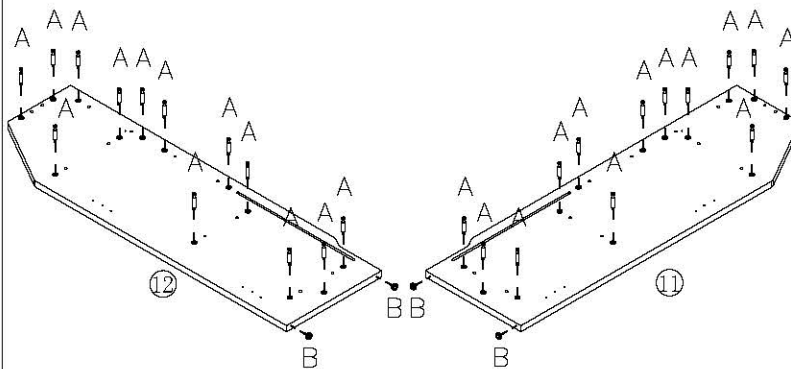
Attention:

Please lock the screws after assembly.



(A)*26

(B)*4



1



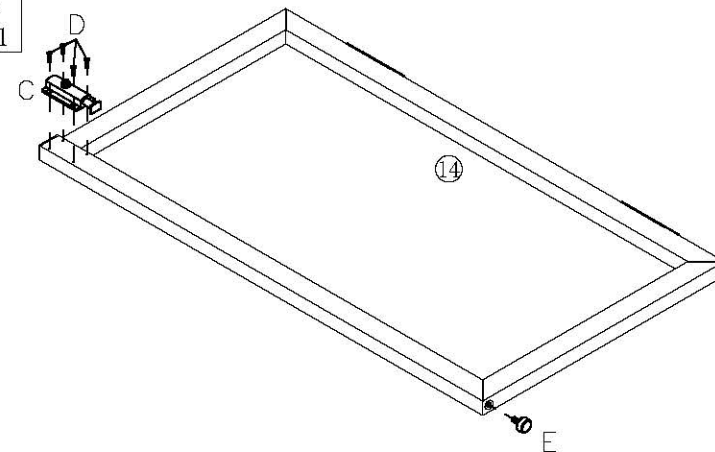
(C)*1



(D)*4



(E)*1



2



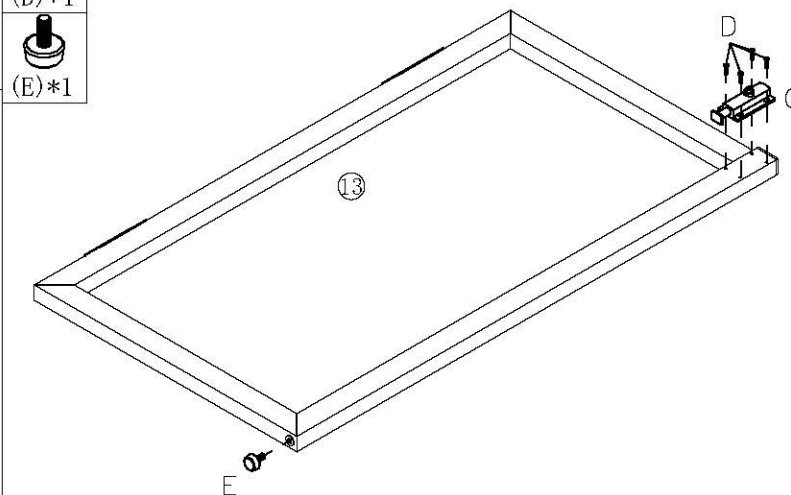
(C)*1



(D)*4



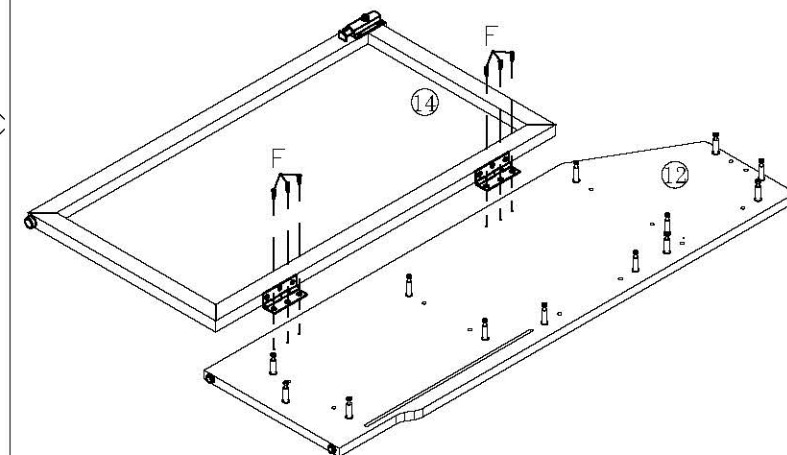
(E)*1



3



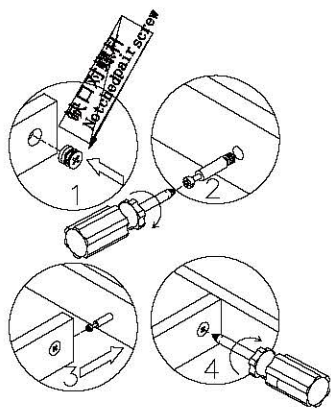
(F)*6



4

BG031-A(B)

安装方法/Installation method



二合一/2 in 1

温馨提示:

请正确使用螺丝，否则将会造成产品严重损坏

Warm tips:

Please use the correct screws, otherwise the product will be seriously damaged.

注意:

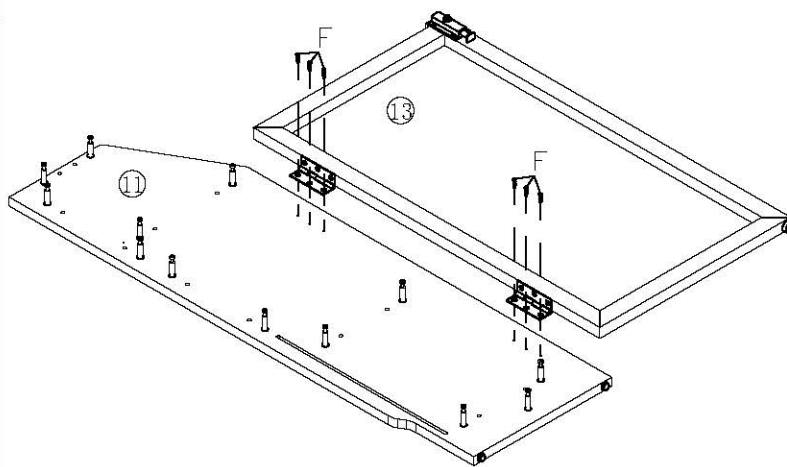
完成组装后再锁紧螺丝

Attention:

Please lock the screws after assembly.



(F)*6



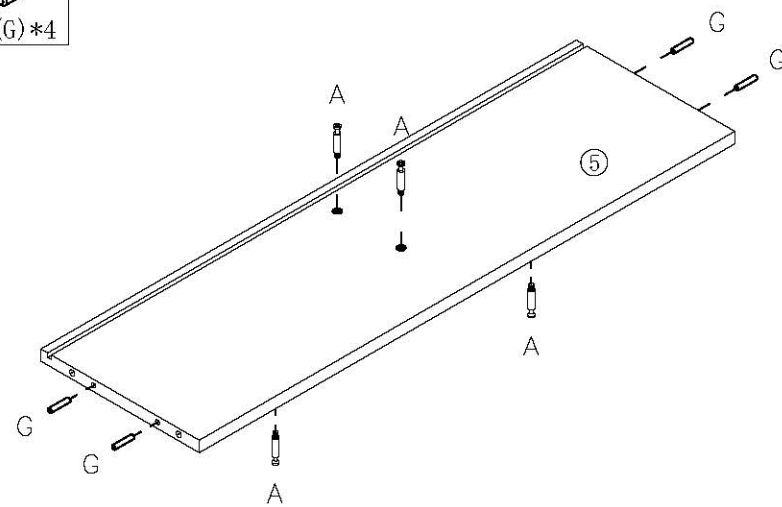
5



(A)*4



(G)*4



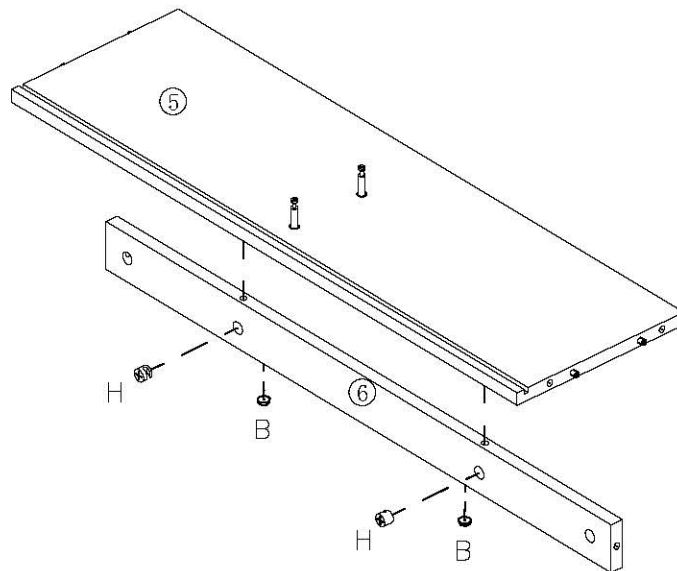
6



(B)*2



(H)*2



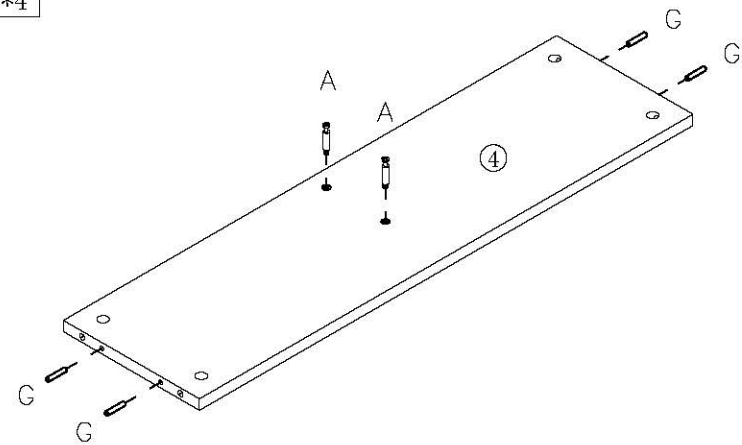
7



(A)*2



(G)*4



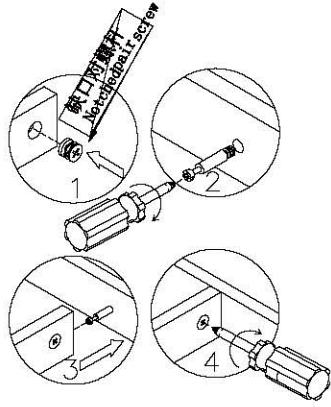
8

BG031-A(B)



(H)*4

安装方法/Installation method



二合一/2 in 1

温馨提示:

请正确使用螺丝，否则将会造成产品严重损坏

Warm tips:

Please use the correct screws, otherwise the product will be seriously damaged.

注意:

完成组装后再锁紧螺丝

Attention:

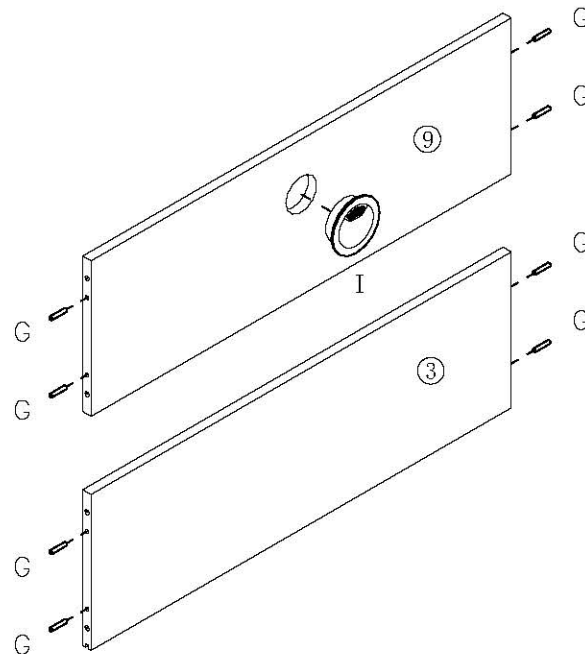
Please lock the screws after assembly.



(G)*8



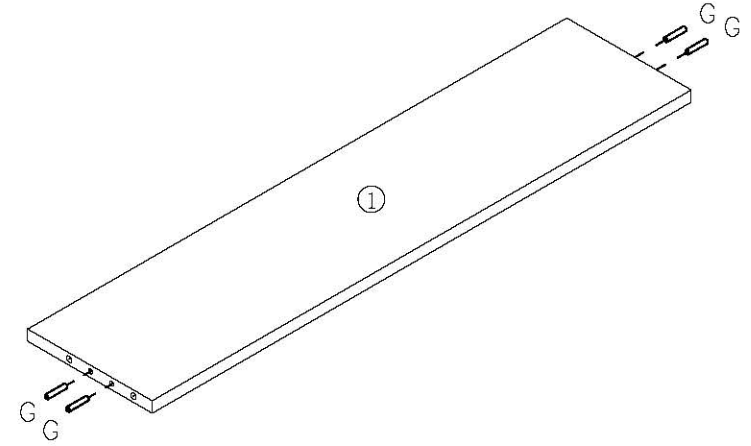
(I)*1



9



(G)*4



10

11



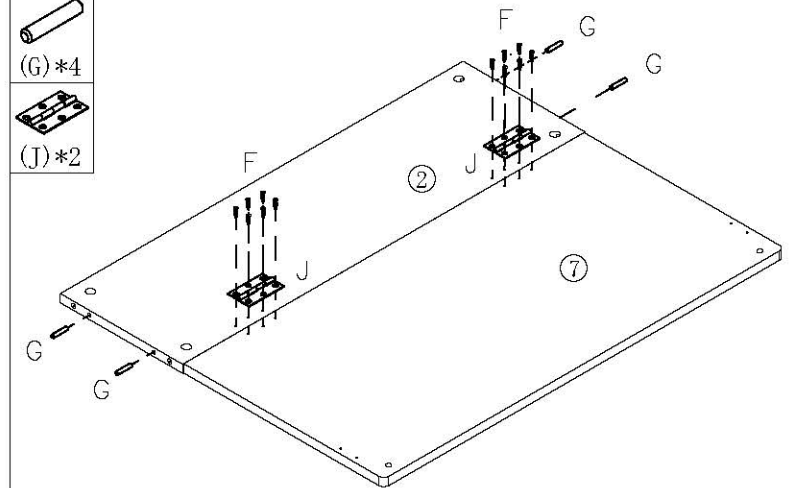
(F)*12



(G)*4



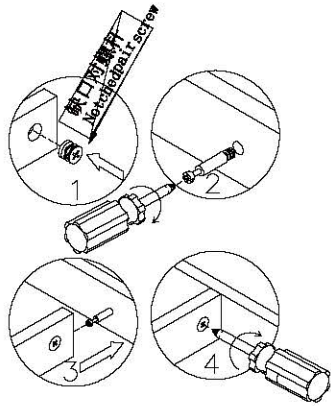
(J)*2



12

BG031-A(B)

安装方法/Installation method



二合一/2 in 1

温馨提示:

请正确使用螺丝, 否则将会造成产品严重损坏

Warm tips:

Please use the correct screws, otherwise the product will be seriously damaged.

注意:

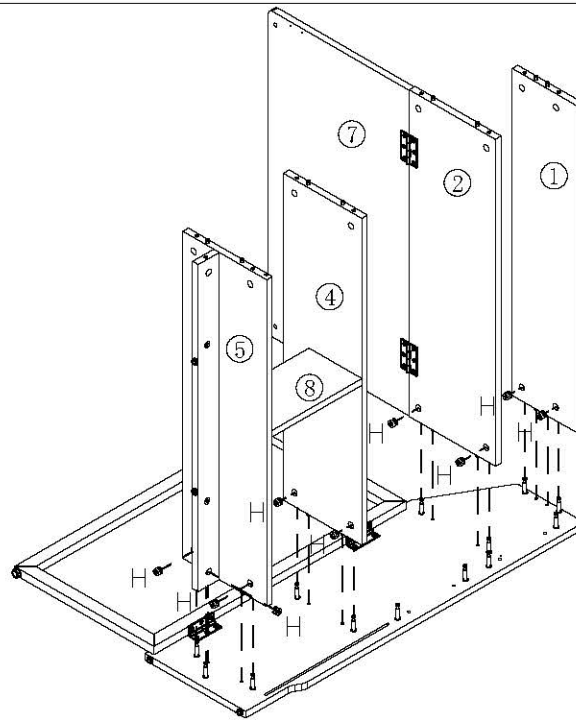
完成组装后再锁紧螺丝

Attention:

Please lock the screws after assembly.



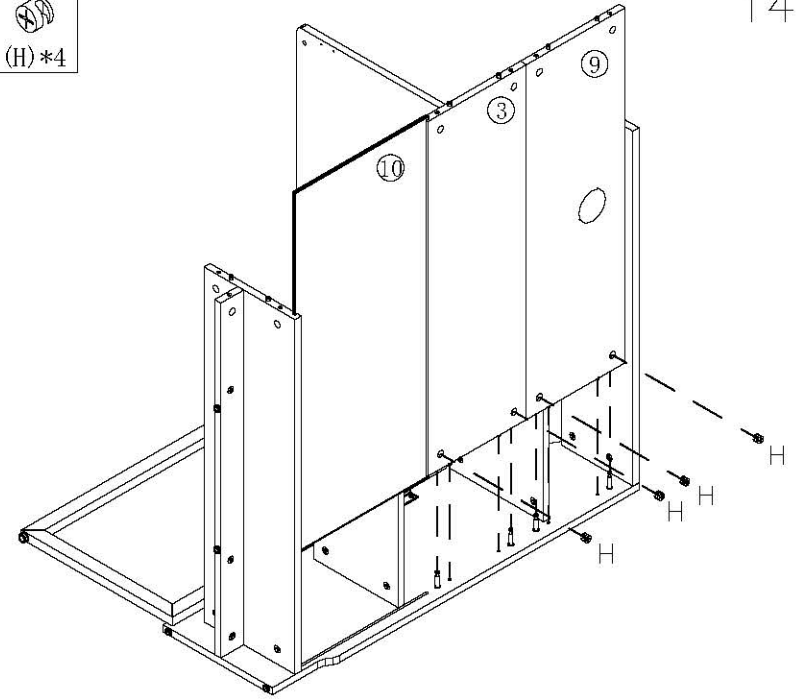
(H)*9



13



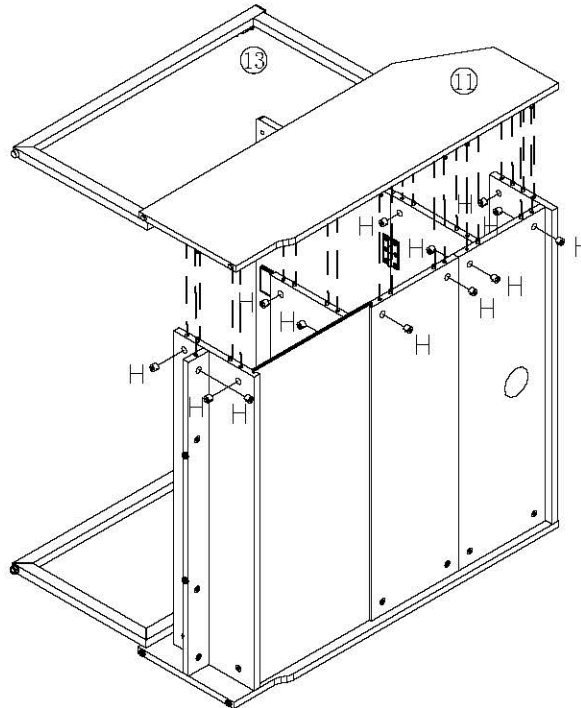
(H)*4



14



(H)*13



15



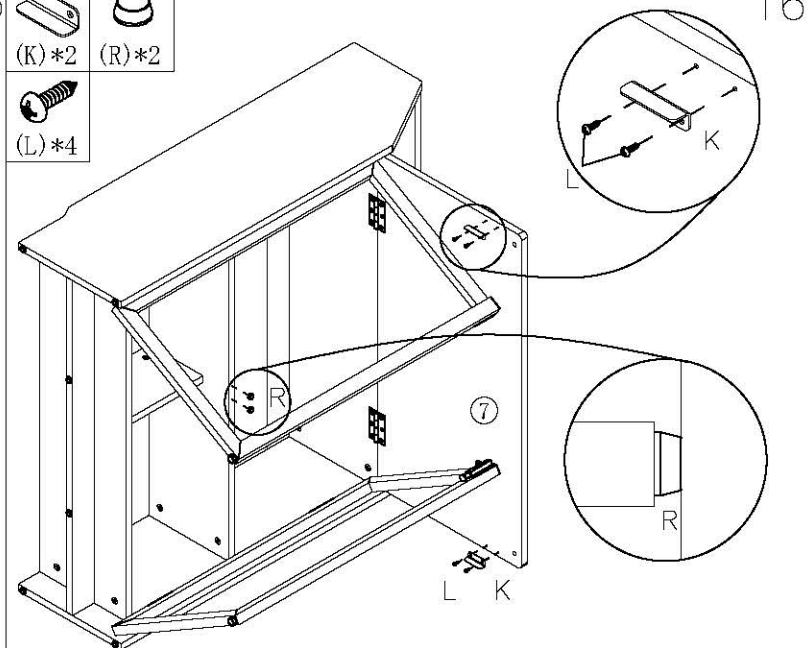
(K)*2



(R)*2



(L)*4



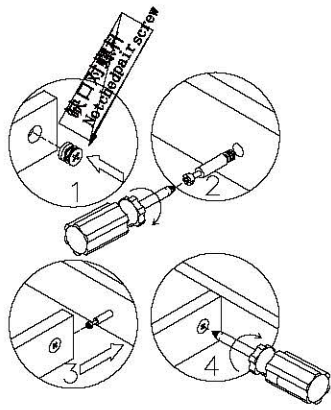
16

BG031-A(B)



(R)*4

安装方法/Installation method



二合一/2 in 1

温馨提示:

请正确使用螺丝，否则将会造成产品严重损坏

Warm tips:

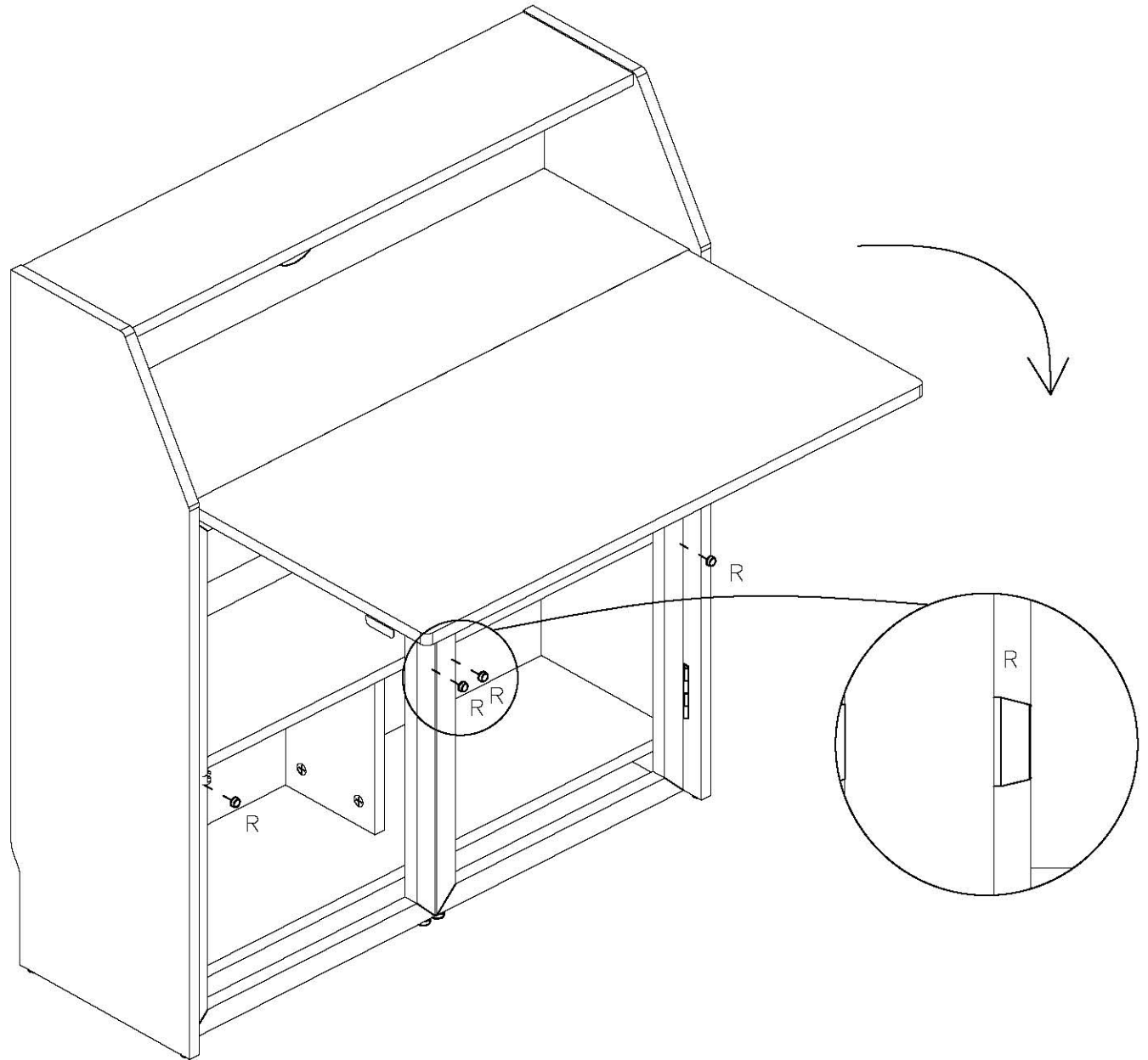
Please use the correct screws, otherwise the product will be seriously damaged.

注意:

完成组装后再锁紧螺丝

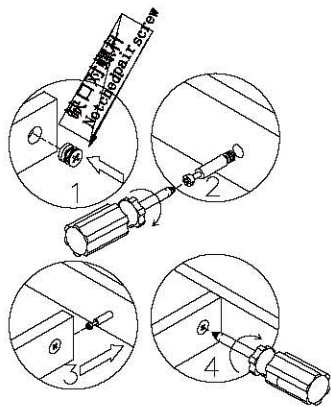
Attention:

Please lock the screws after assembly.



BG031-A(B)

安装方法/Installation method



二合一/2 in 1

温馨提示:

请正确使用螺丝, 否则将会造成产品严重损坏

Warm tips:






Please use the correct screws, otherwise the product will be seriously damaged.

注意:

完成组装后再锁紧螺丝

Attention:

Please lock the screws after assembly.

-  (M)*2
-  (N)*2
-  (O)*4
-  (P)*2
-  (Q)*2

