

LINSY 林氏家居

五金表/Hardware list

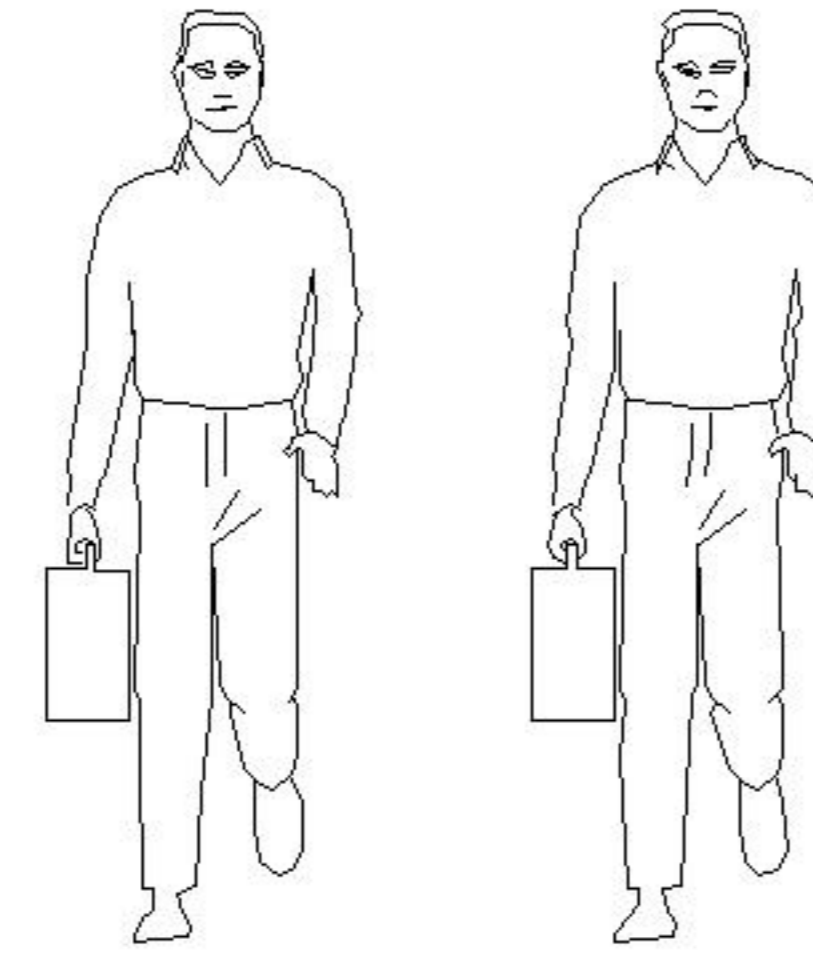
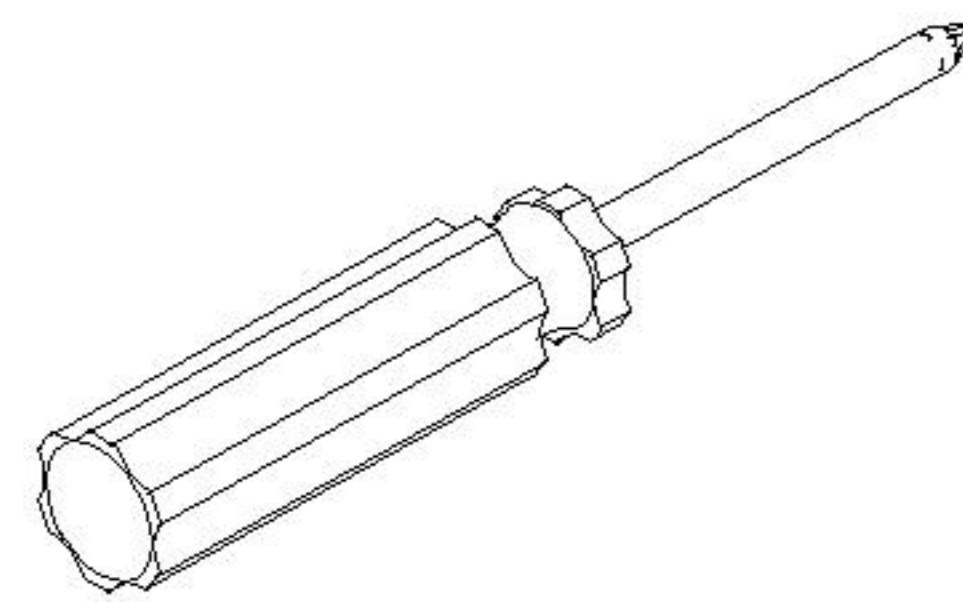
部件表/Parts List

安装示意图/Assembly Instruction

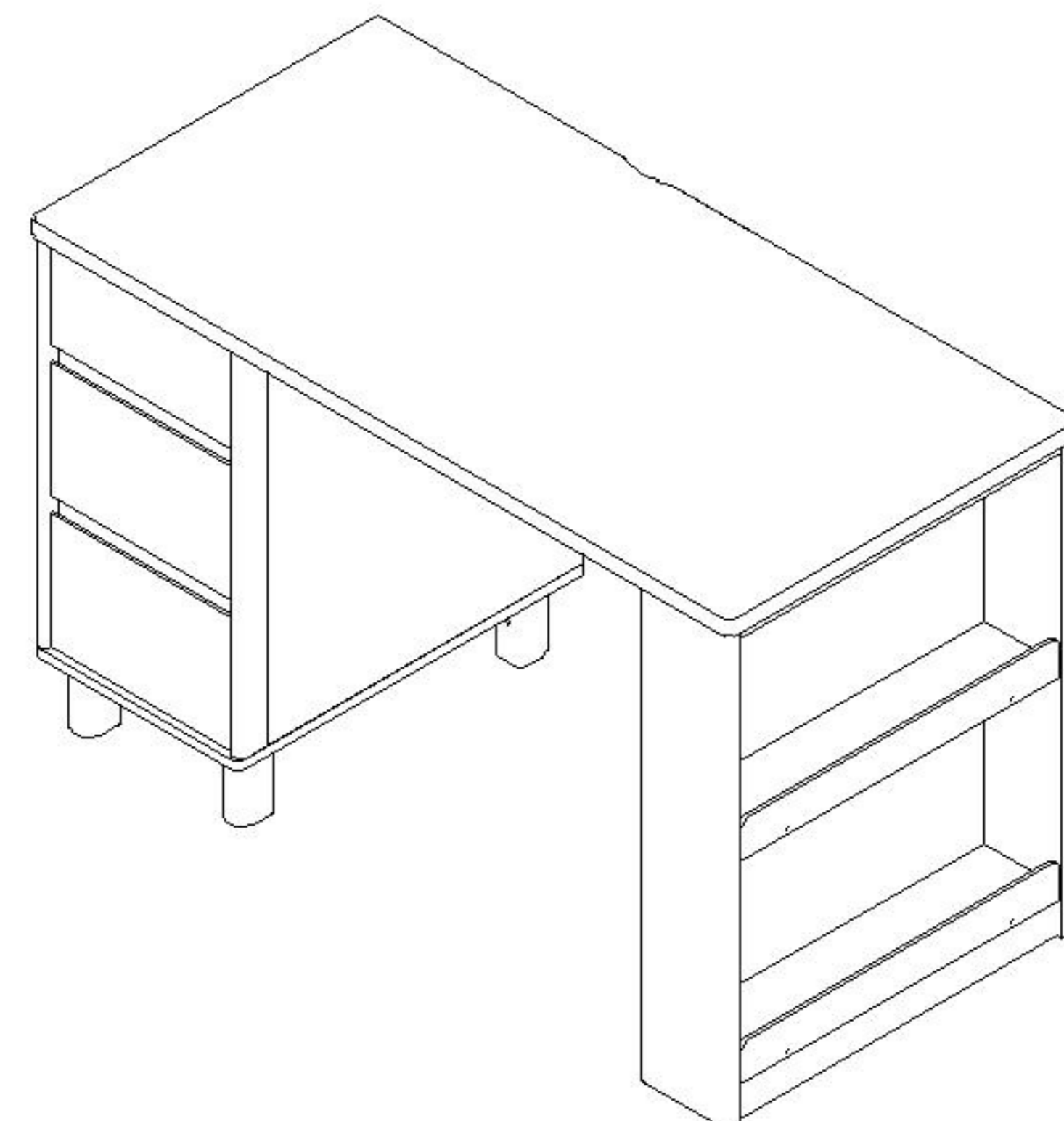
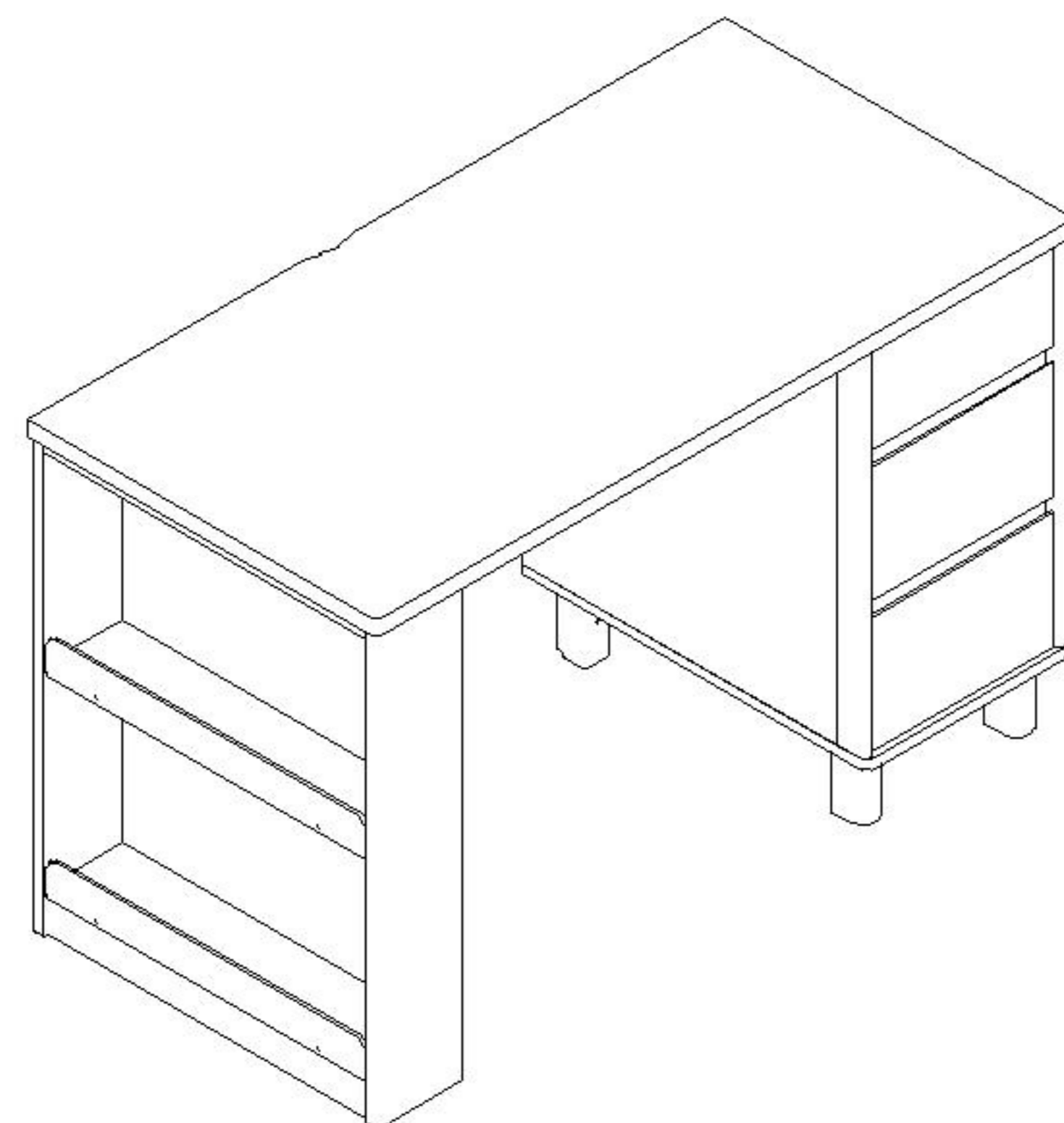
产品名称 Model NO. UY2V-A 1.2米下柜

产品规格 Specification 1200*600*763mm

安装工具 Tool 安装人数 Installer



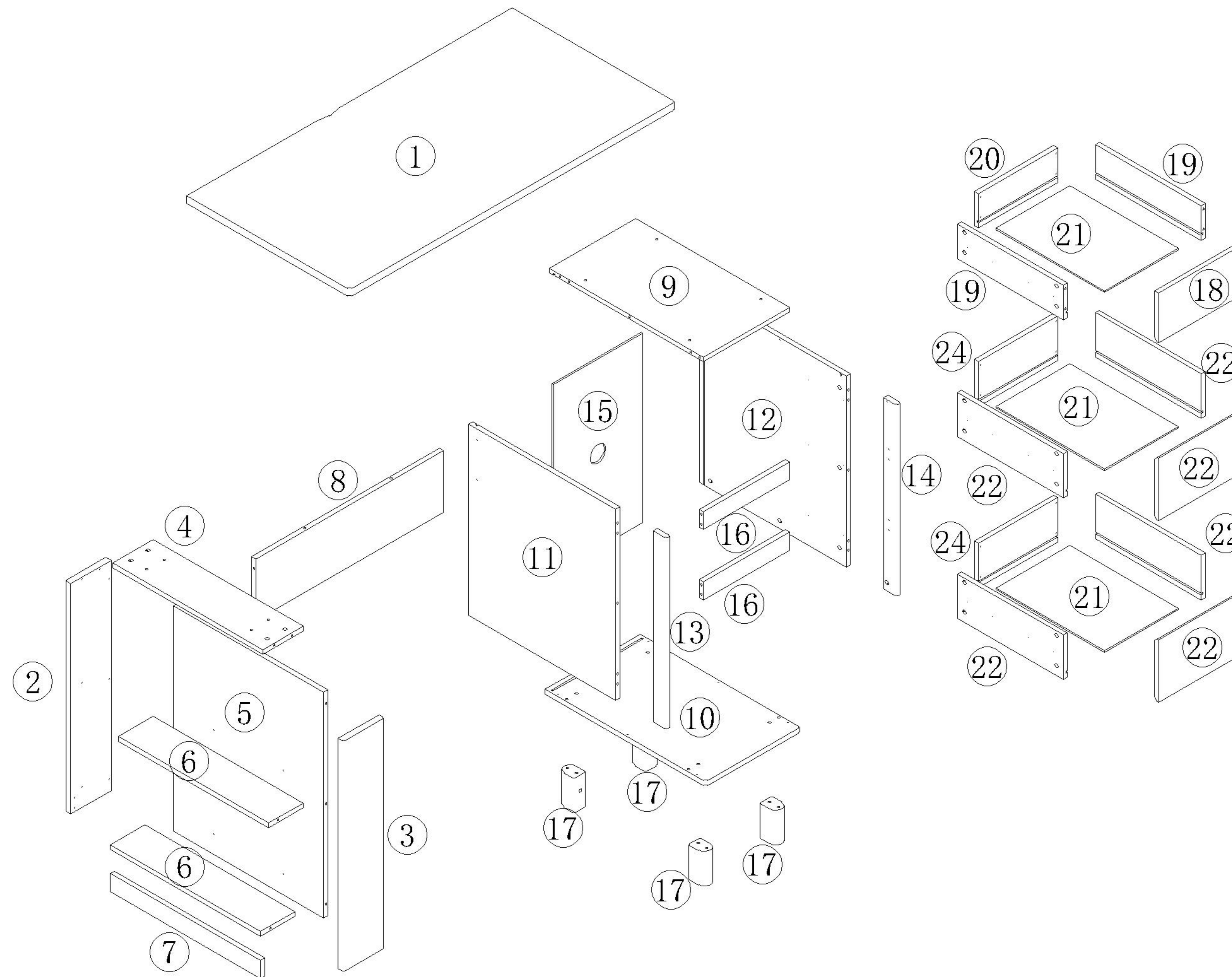
注：为保证设计效果，部分尺寸为定制尺寸，不影响使用。



抽屉方向可左右安装
The drawer direction can be installed left and right

五金表/Hardware list	五金表/Hardware list	五金表/Hardware list	五金表/Hardware list
(A)*84 二合一螺杆 2-in-1-screw	(B)*84 大三合一锁饼 3-in-1 large lock	(C)*17 木榫- $\phi 8 \times 30$ Wood tenon	(D)*3 三节滚珠导轨14" Three-section rail
(E)*48 自攻螺丝M3.5*14 Self tapping screw	(F)*10 灰色毛毡垫 Foot pad	(G)*4 镜钉-(直径13*5mm) Mirror nail	(H)*4 自攻螺丝M4*20 Self tapping screw
(I)*2 亚克力 acrylic	(J)*4 透明塑料垫片 Transparent plastic gasket	(K)*4 斜边十字螺杆-M8x70mm Bevel cross screw	(L)*8 斜边十字螺杆-M6x25mm Bevel cross screw
(M)*1 家具防倒器-白色 Anti-fall device	(N)*4 锤母M8*15彩锌 Hammer nut	(O)*1 透气孔盖-白色 Breathable cover	(P)*84 PVC孔贴 PVC hole sticker
(Q)*4 背板扣 Back Panel Buckle			

编号NO.	名称Name	规格(mm) Specification	数量QTY	材质Material
①	面板Top panel	1200*600*25	1	刨花板 Particle board
②	内侧板Inner side panel	735*150*20	1	刨花板 Particle board
③	外侧板Sideboard	735*150*20	1	橡胶木 Rubber wood
④	上层板Upper shelf	553*150*15	1	刨花板 Particle board
⑤	中隔板Middle clapboard	720*553*15	1	刨花板 Particle board
⑥	层板Shelf	553*128*15	2	刨花板 Particle board
⑦	侧脚条Side foot strip	553*58*15	1	刨花板 Particle board
⑧	背板Back board	692*198*15	1	刨花板 Particle board
⑨	附柜面板Attached counter board	318*567*15	1	刨花板 Particle board
⑩	附柜底板Attached bottom board	350*592*15	1	刨花板 Particle board
⑪	附柜左侧板Sideboard of attached cabinet(L)	610*541*15	1	刨花板 Particle board
⑫	附柜右侧板Sideboard of attached cabinet(R)	610*541*15	1	刨花板 Particle board
⑬	左侧柱Side column(L)	610*50*15	1	橡胶木 Rubber wood
⑭	右侧柱Side column(R)	610*50*15	1	橡胶木 Rubber wood
⑮	附柜背板Attached back board	605*328*5	1	纤维板 Fiberboard
⑯	拉条Brace	318*58*15	2	刨花板 Particle board
⑰	脚Foot	110*60*45	4	橡胶木 Rubber wood
⑱	上抽屉面板 Upper drawer's panel	314*158*15	1	刨花板 Particle board
⑲	上抽屉侧板Upper drawer's side board	390*110*15	2	刨花板 Particle board
⑳	上抽屉后板Upper drawer's back board	292*110*15	1	刨花板 Particle board
㉑	上抽屉底板Upperdrawer's Bottom board	272*400*5	3	纤维板 Fiberboard
㉒	下抽屉面板Bottom drawer's panel	314*199*15	2	刨花板 Particle board
㉓	下抽屉侧板Lower drawer's side board	390*142*15	4	刨花板 Particle board
㉔	下抽屉后板Down drawer's back board	292*142*15	2	刨花板 Particle board

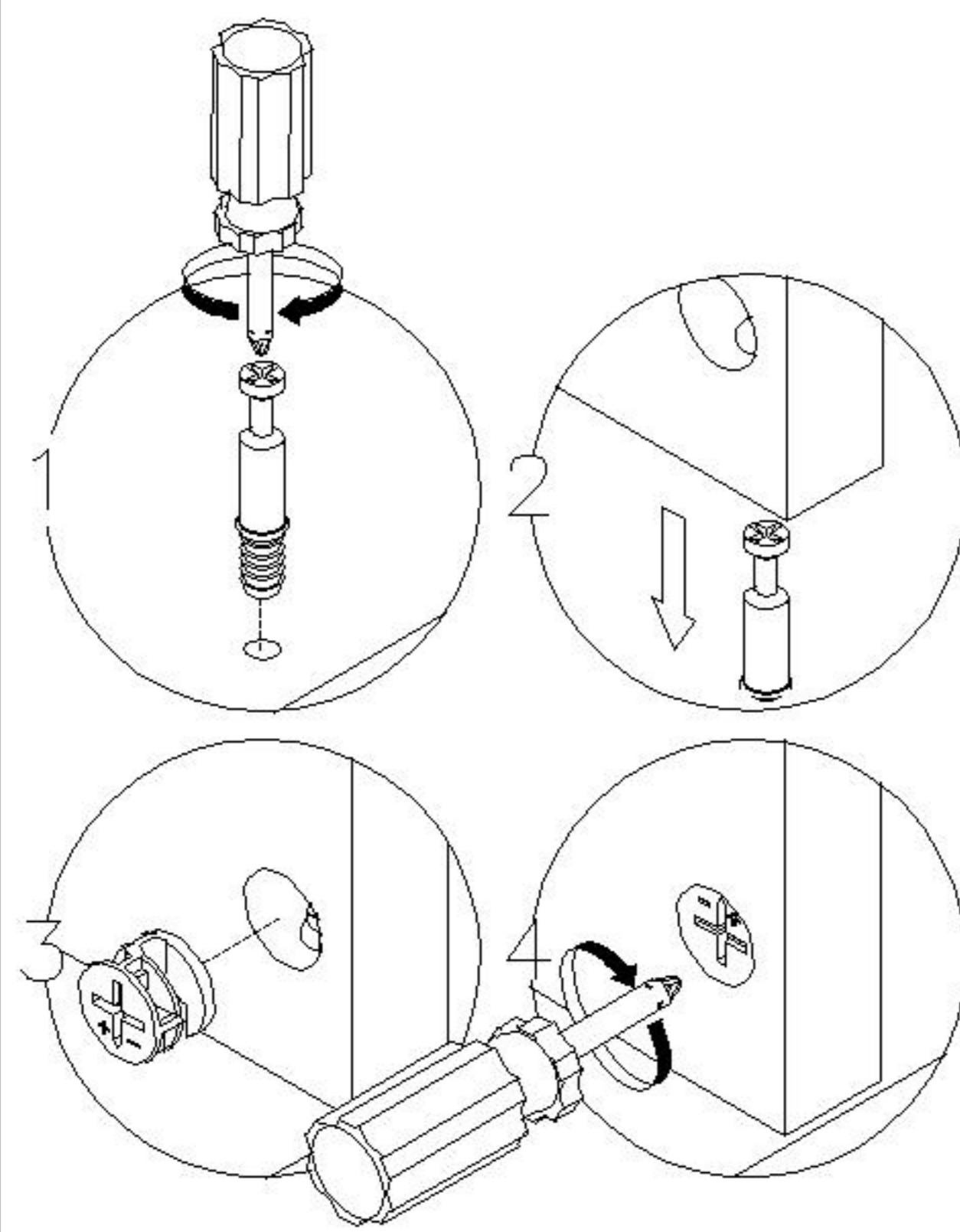


编号NO.	名称Name
①	面板Top panel
②	内侧板Inner side panel
③	外侧板Sideboard
④	上层板Upper shelf
⑤	中隔板Middle clapboard
⑥	层板Shelf
⑦	侧脚条Side foot strip
⑧	背板Back board
⑨	附柜面板Attached counter board
⑩	附柜底板Attached bottom board
⑪	附柜左侧板Sideboard of attached cabinet (L)
⑫	附柜右侧板Sideboard of attached cabinet (R)
⑬	左侧柱Side column (L)
⑭	右侧柱Side column (R)
⑮	附柜背板Attached back board
⑯	拉条Brace
⑰	脚Foot
⑱	上抽屉面板Upper drawer's panel
⑲	上抽屉侧板Upper drawer's side board
⑳	上抽屉后板Upper drawer's back board
㉑	上抽屉底板Upper drawer's Bottom board
㉒	下抽屉面板Bottom drawer's panel
㉓	下抽屉侧板Lower drawer's side board
㉔	下抽屉后板Down drawer's back board

UY2V-A 1.2米下柜

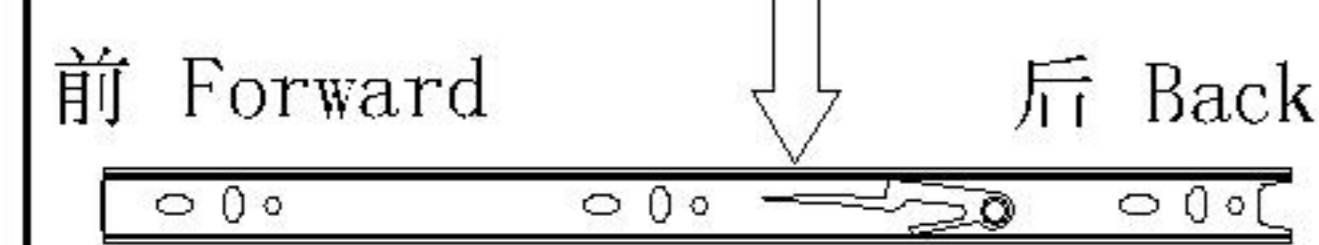
安装方法

Installation method

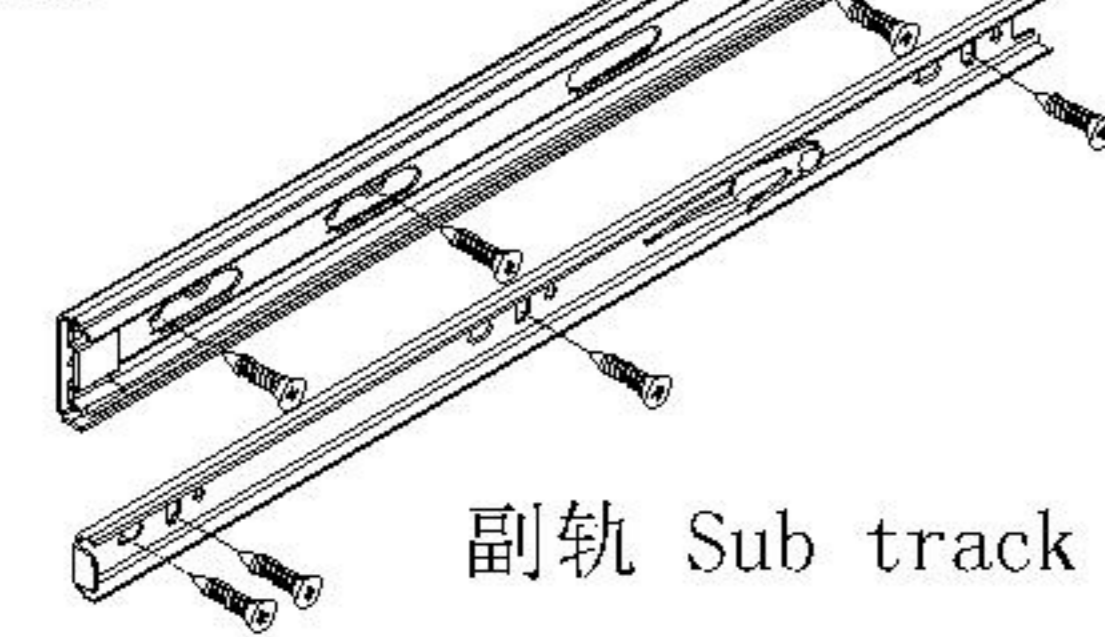


二合一 two-in-one

阀门开关(下压为开)
Valve switch (press down to open)



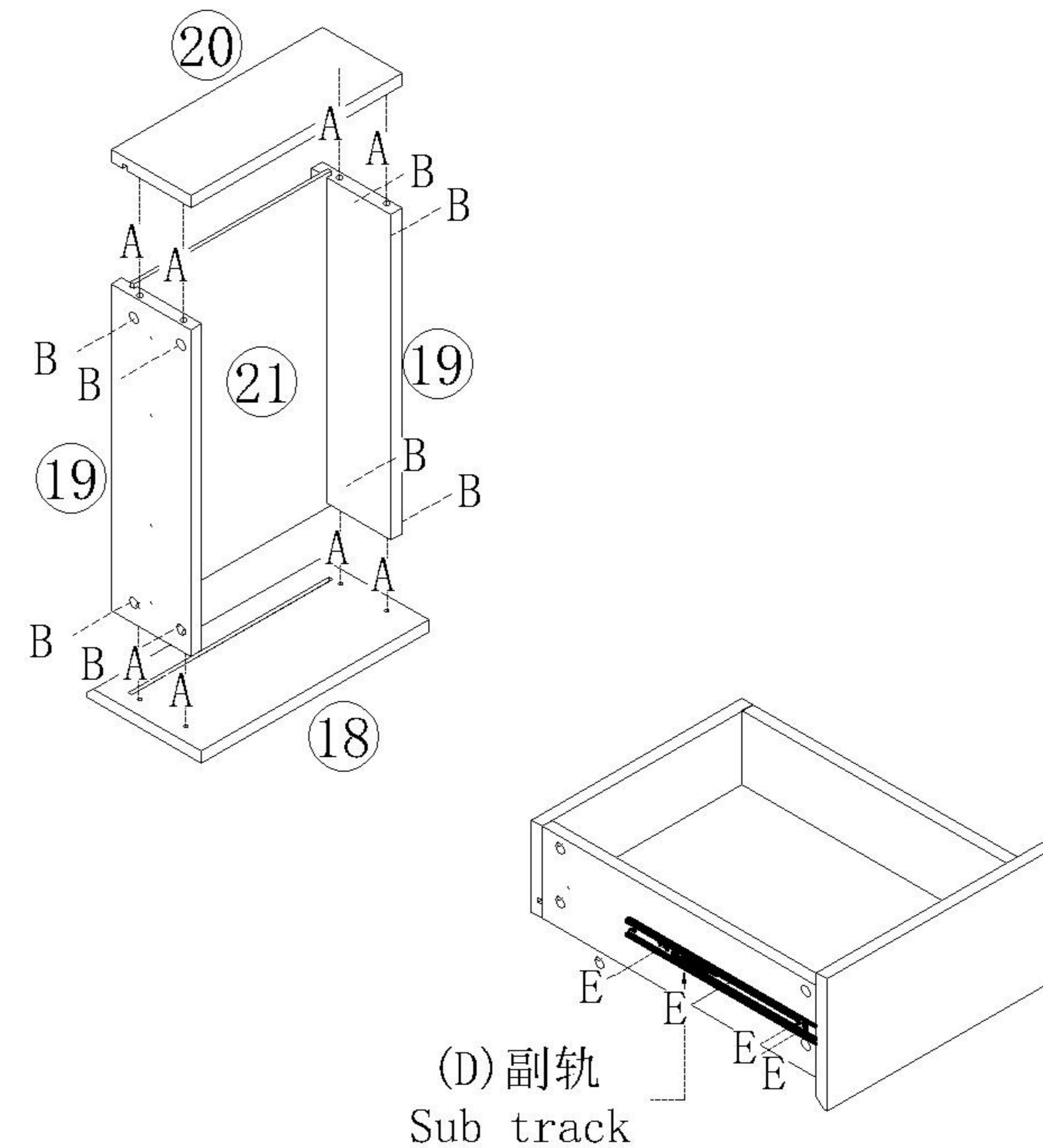
主轨 Main track



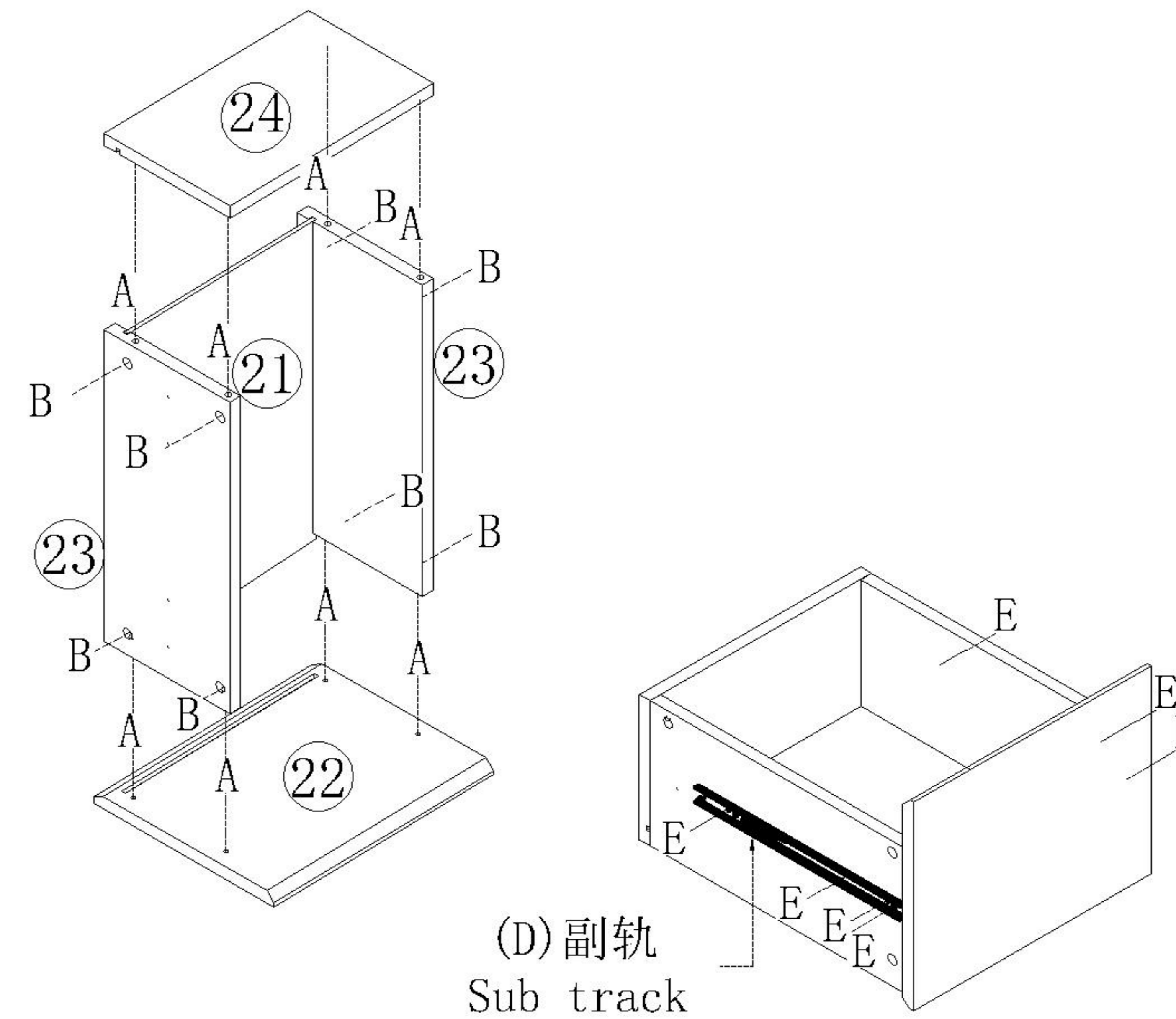
副轨 Sub track

三节滚珠导轨-14"
Three-section rail

- (A) *8
- (B) *8
- (D) *1
- (E) *8

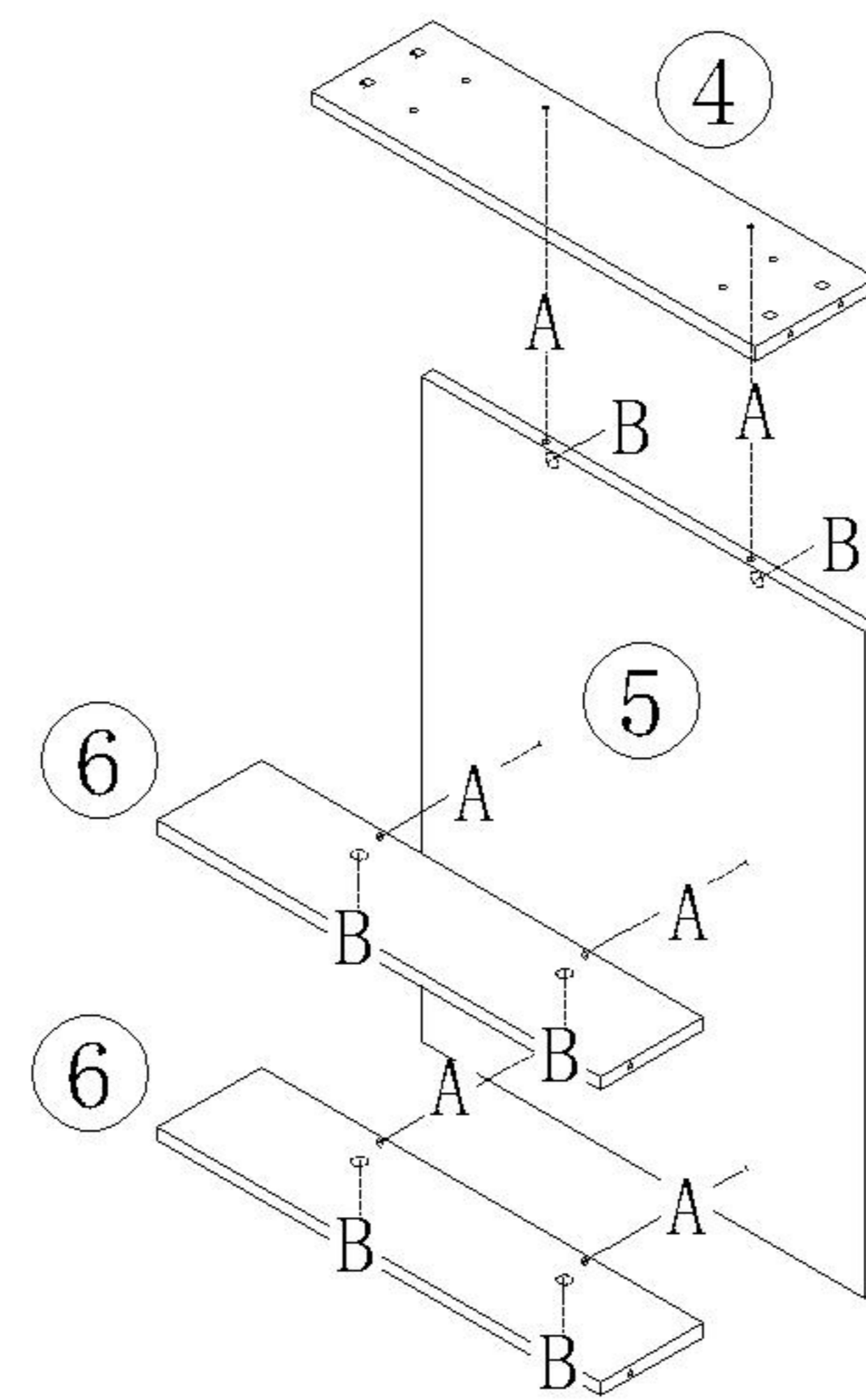


- (A) *16
- (B) *16
- (D) *2
- (E) *16

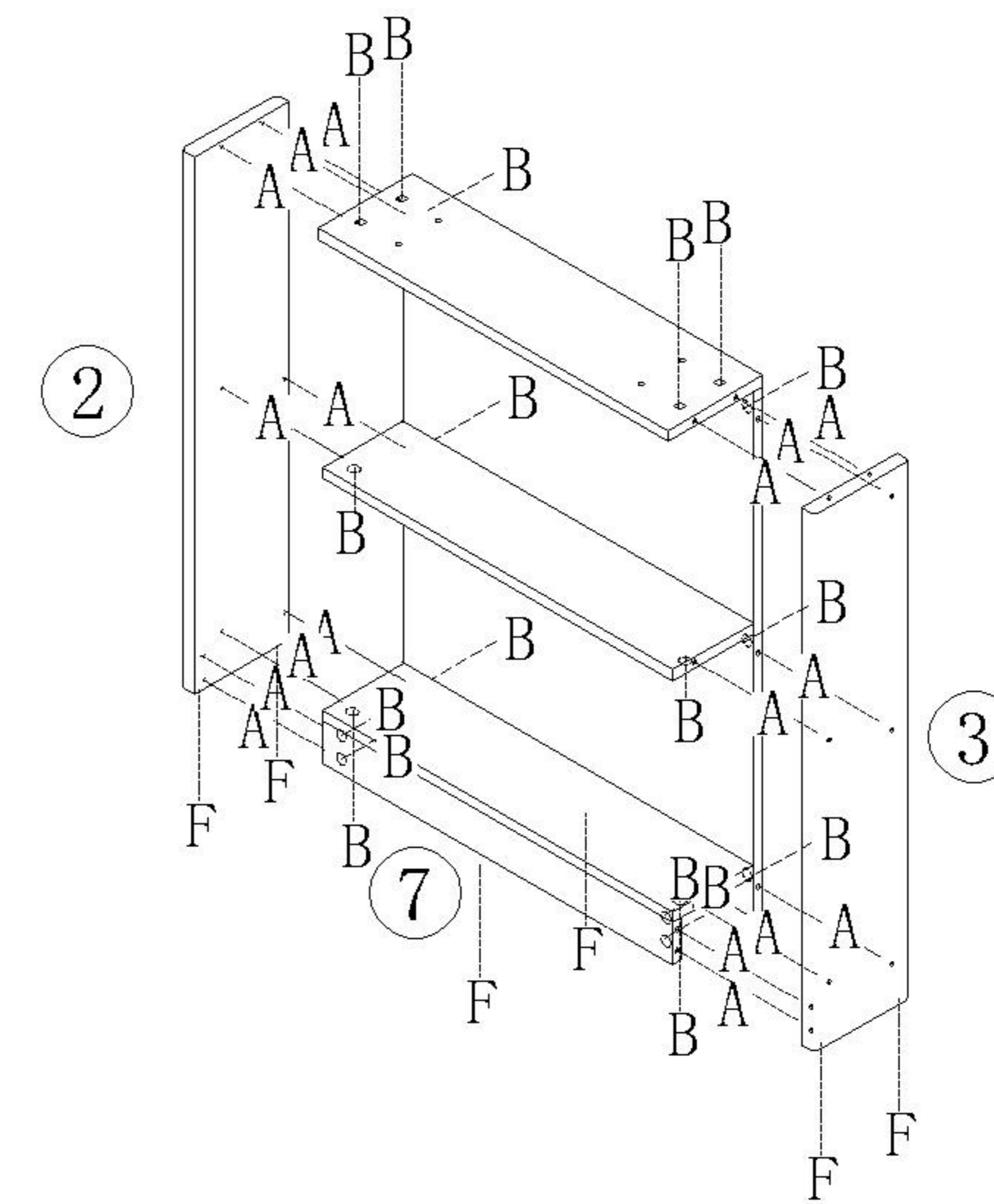


X2

- (A) *6
- (B) *6



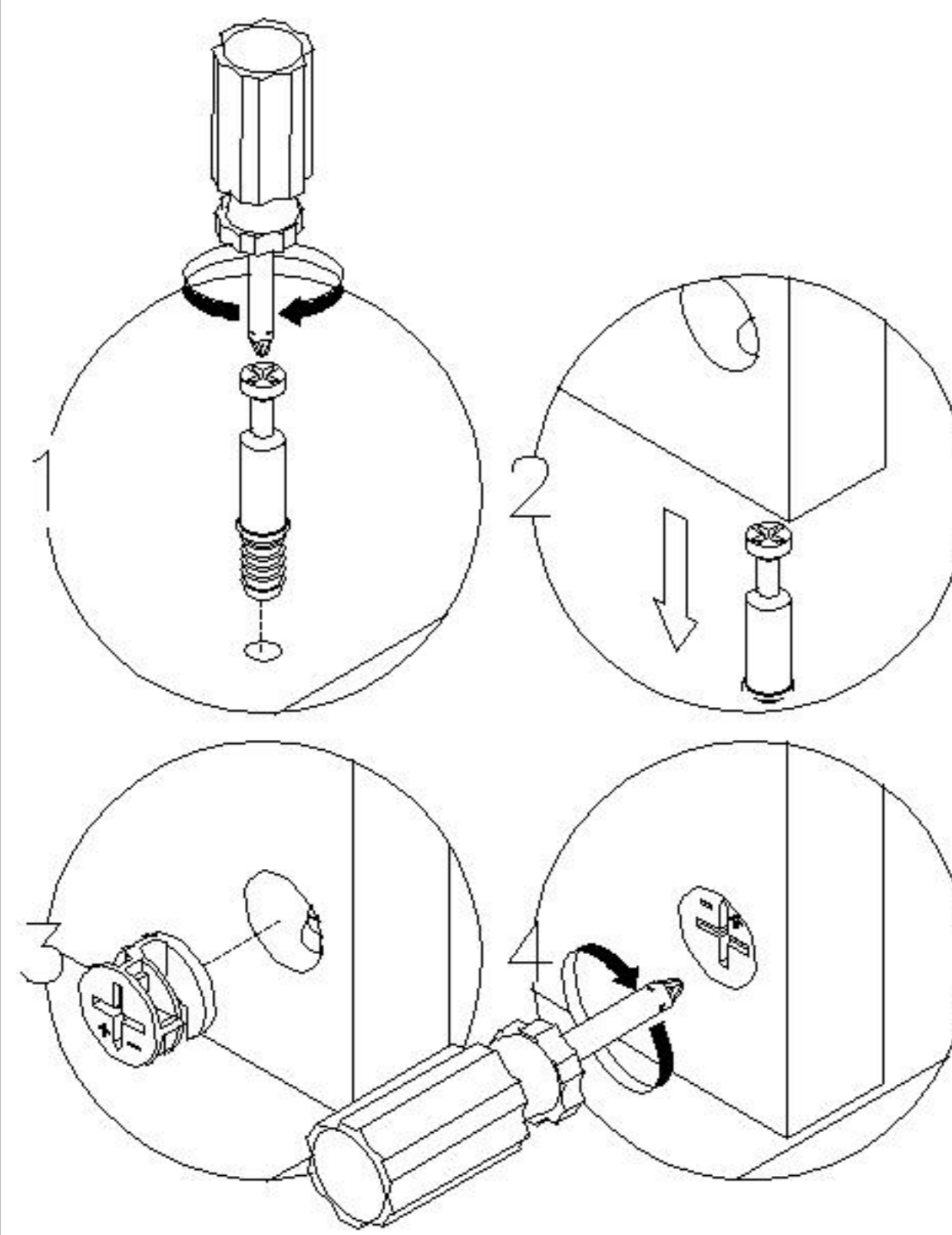
- (A) *18
- (B) *18
- (F) *6



UY2V-A 1.2米下柜

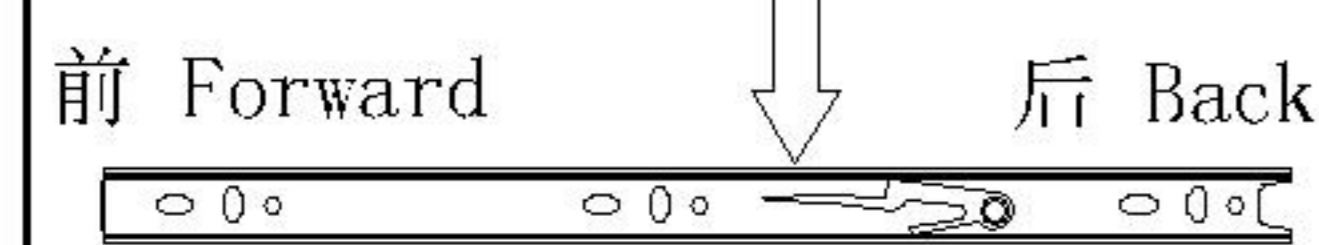
安装方法

Installation method

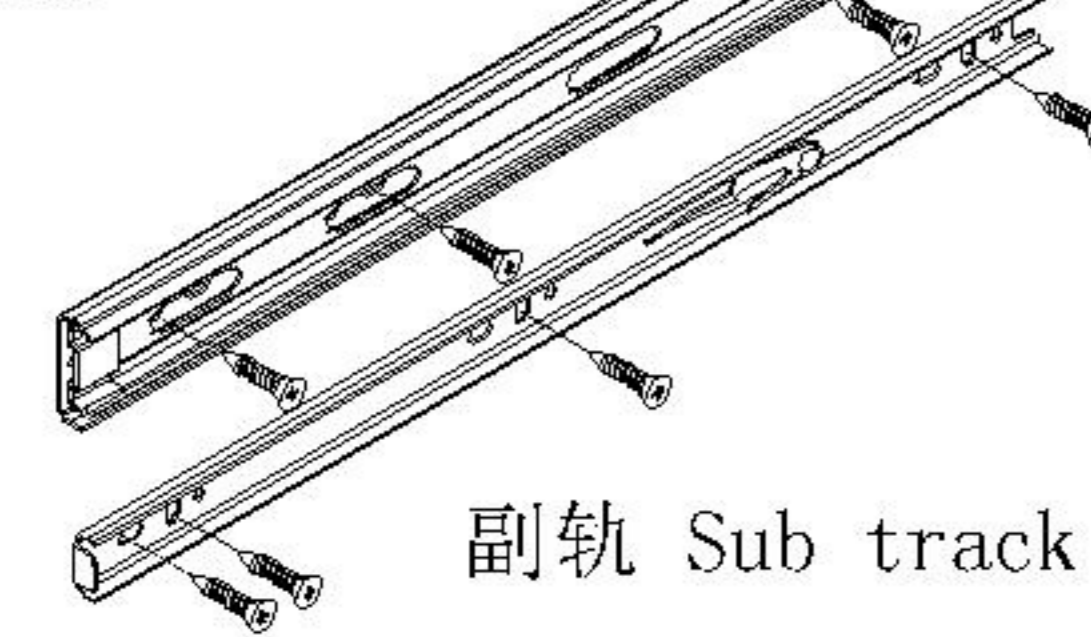


二合一 two-in-one

阀门开关(下压为开)
Valve switch (press down to open)

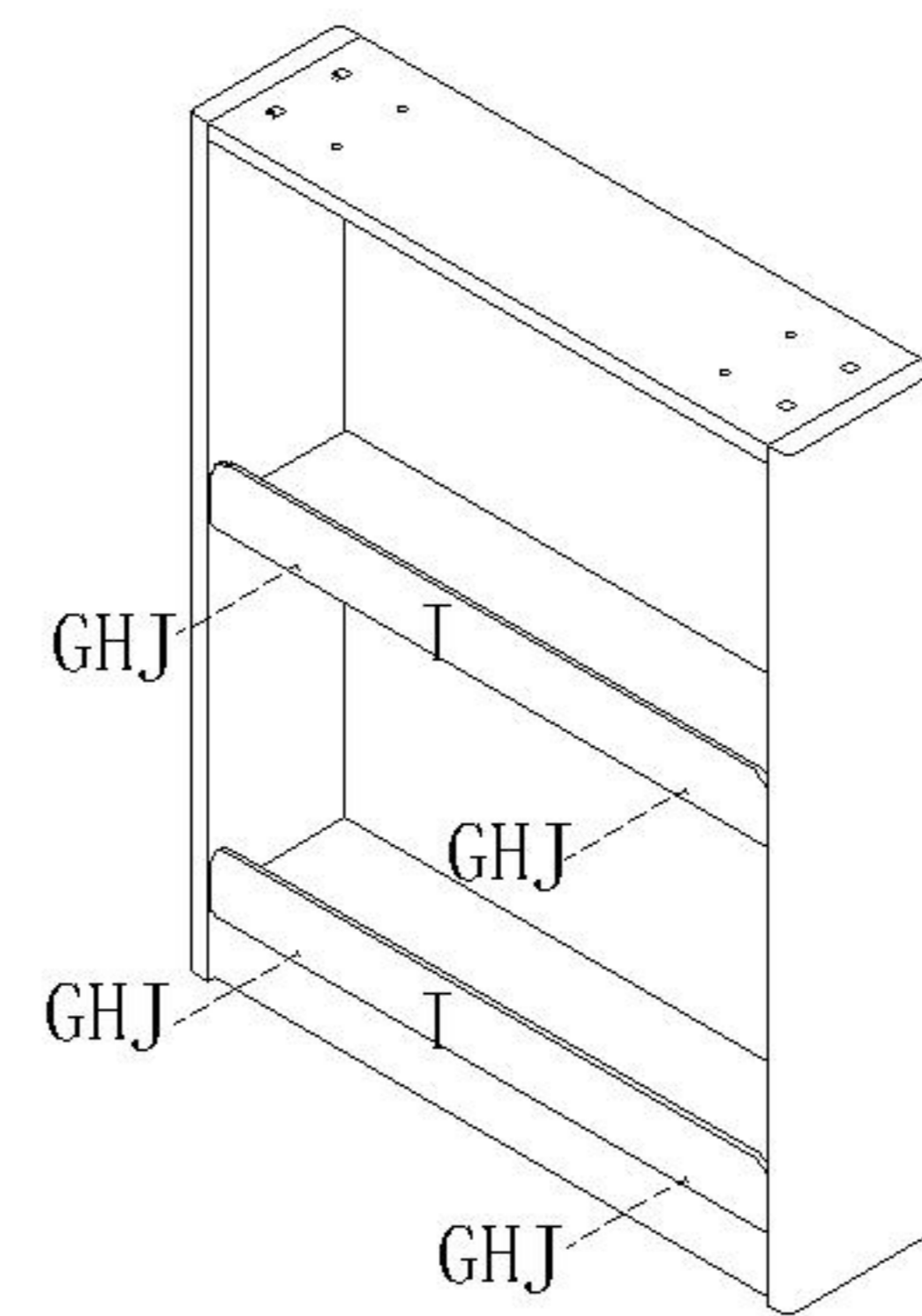
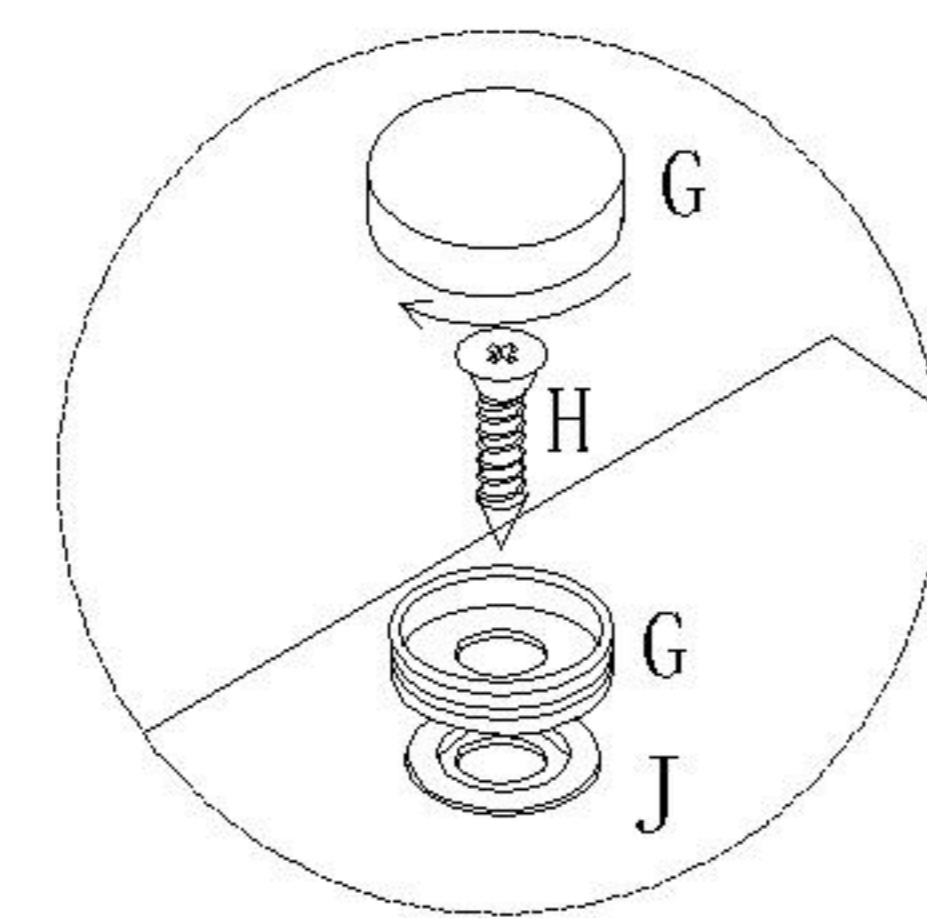


主轨 Main track



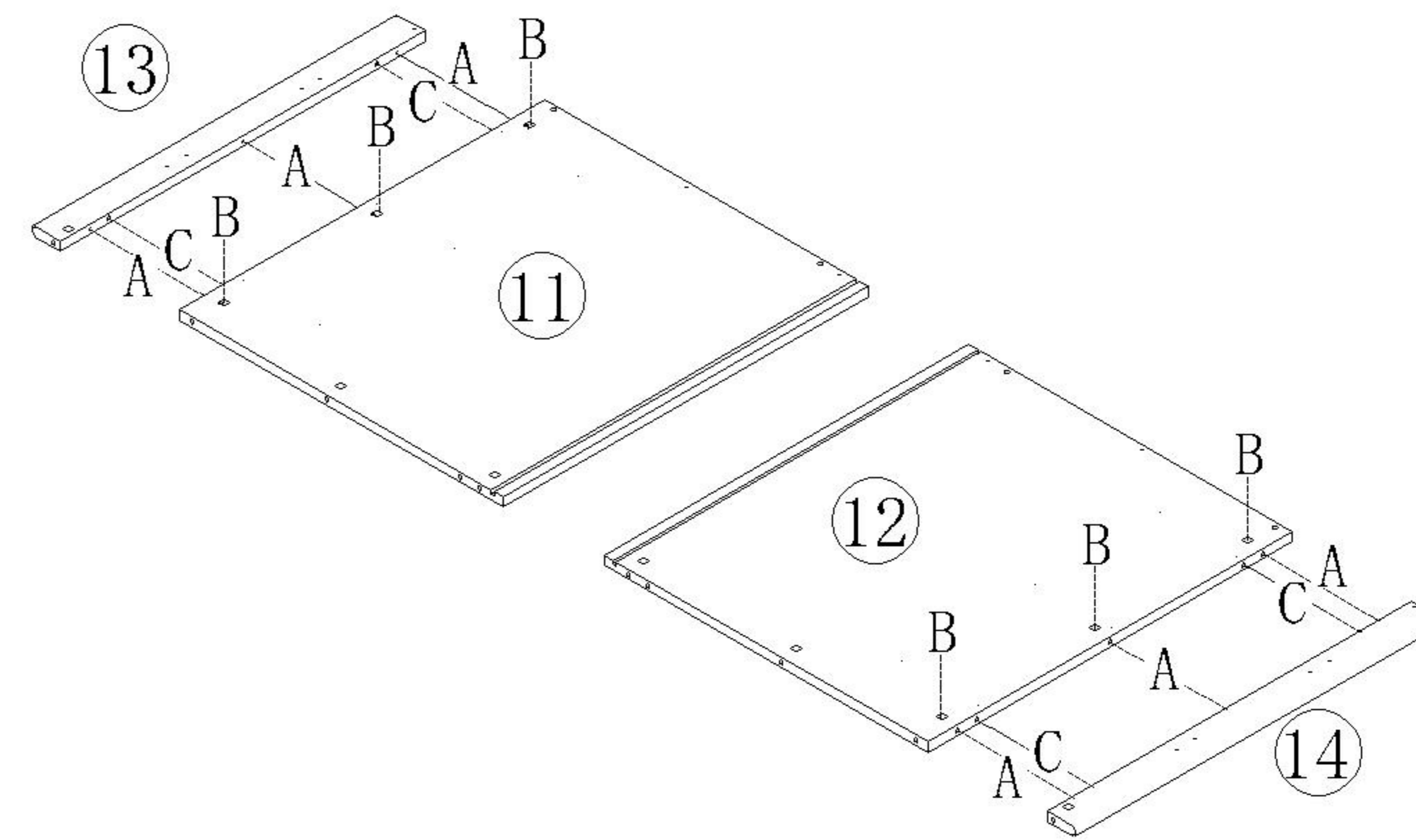
三节滚珠导轨-14"
Three-section rail

- (G)*4
- (H)*4
- (I)*2
- (J)*4



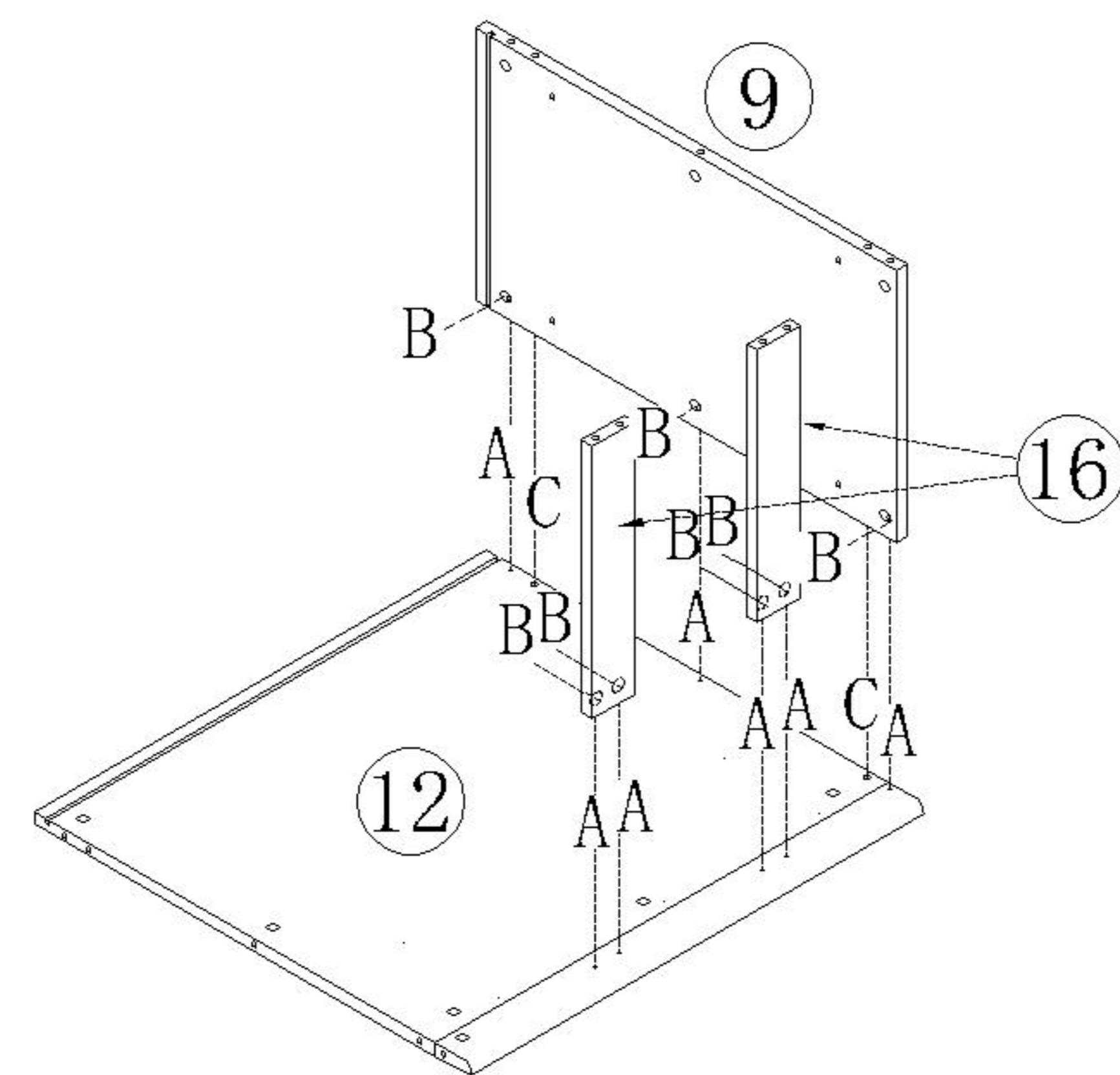
5

- (A)*6
- (B)*6
- (C)*4



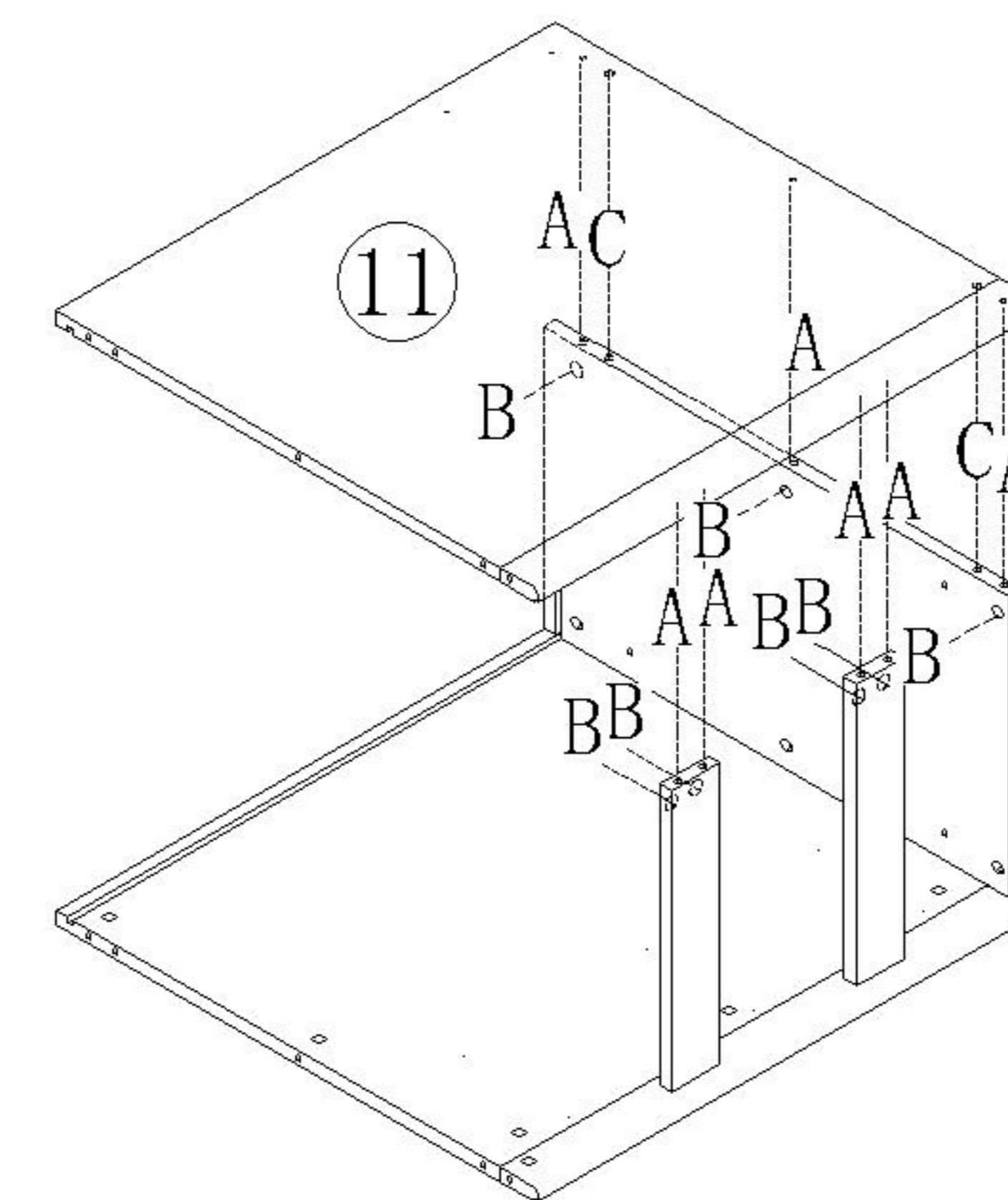
6

- (A)*7
- (B)*7
- (C)*2



7

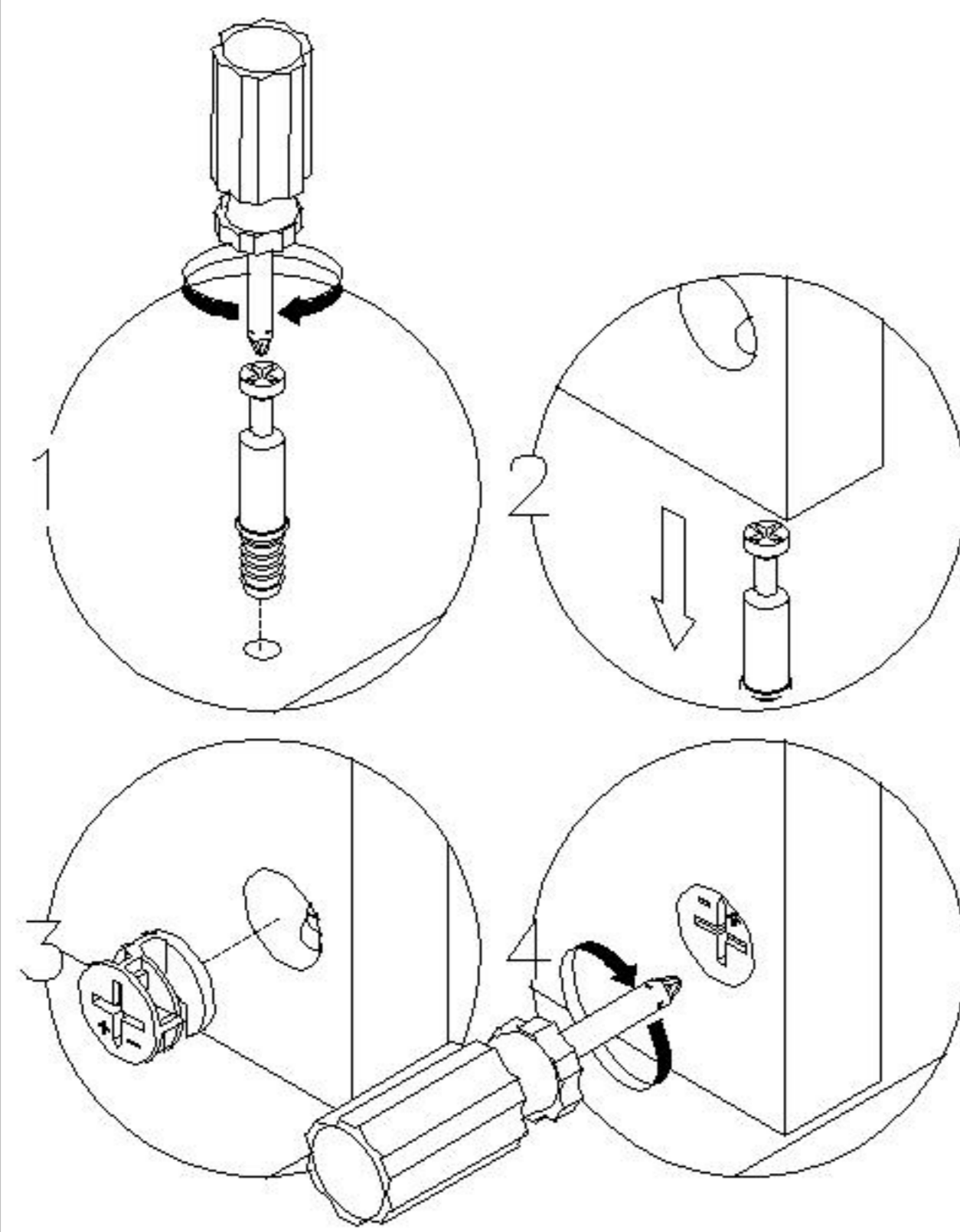
- (A)*7
- (B)*7
- (C)*2



8

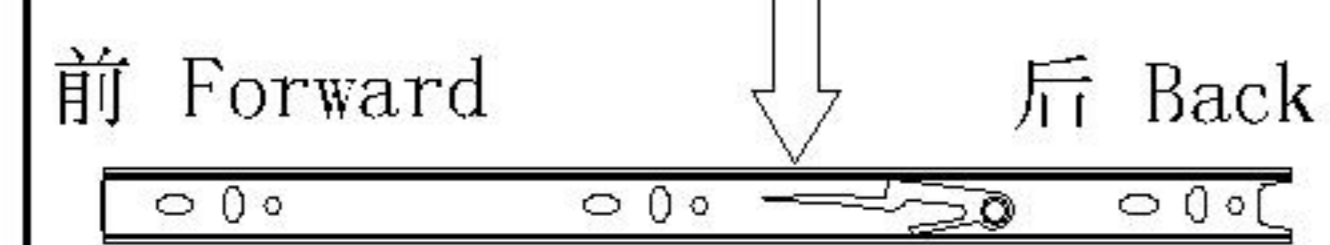
安装方法

Installation method

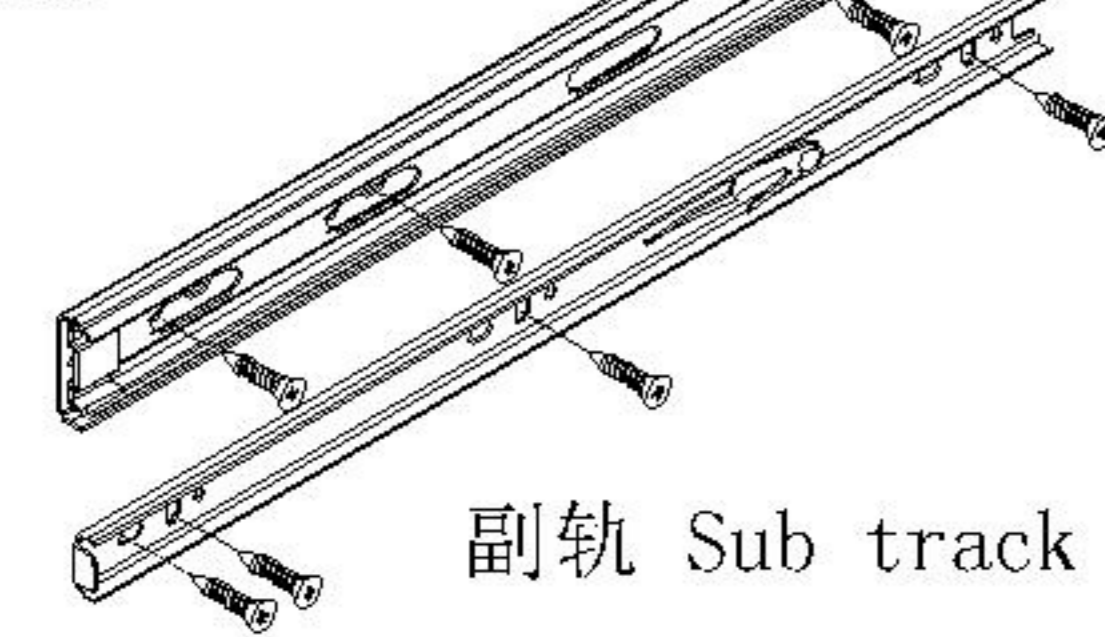


二合一 two-in-one

阀门开关(下压为开)
Valve switch (press down to open)

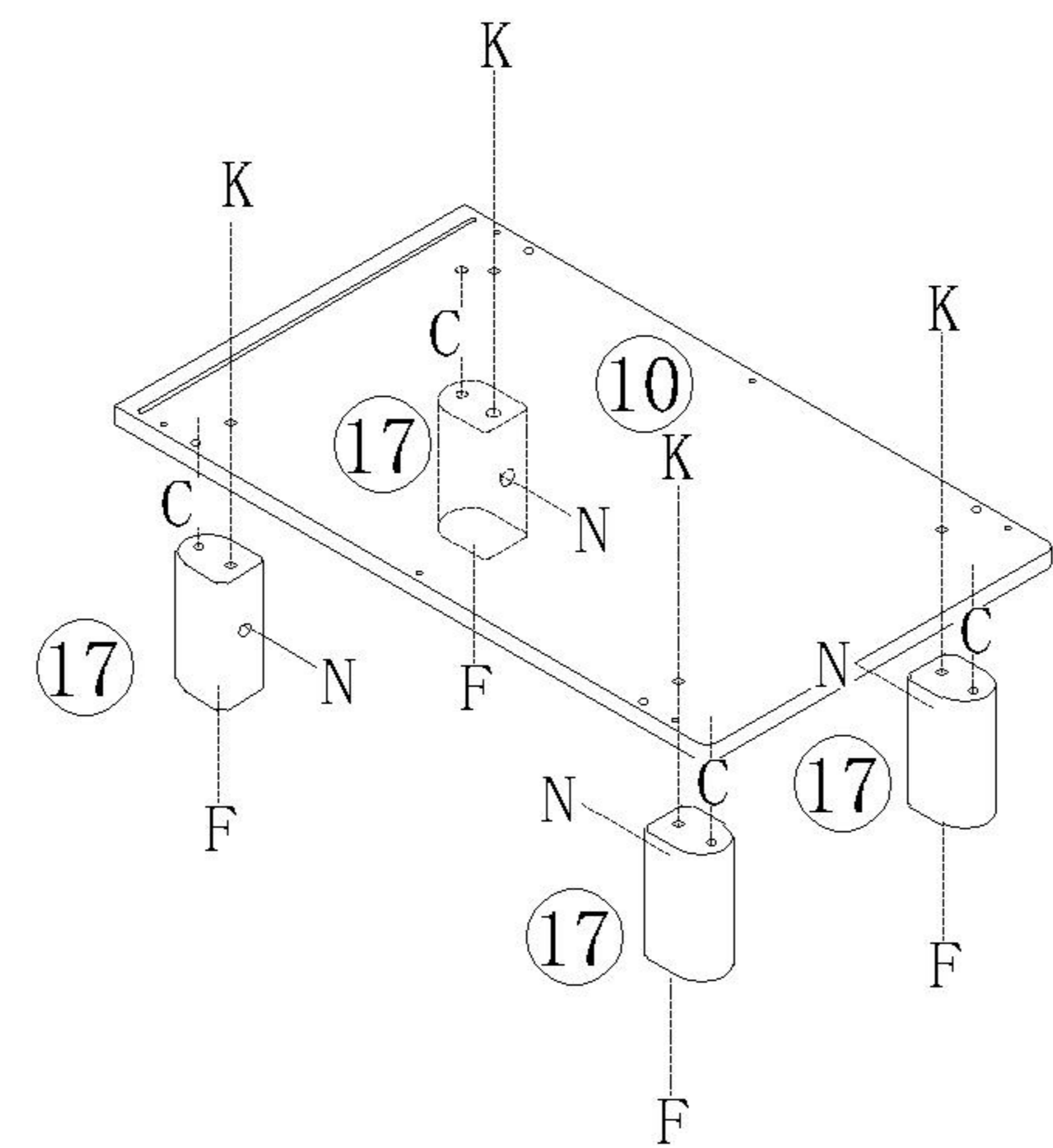


主轨 Main track

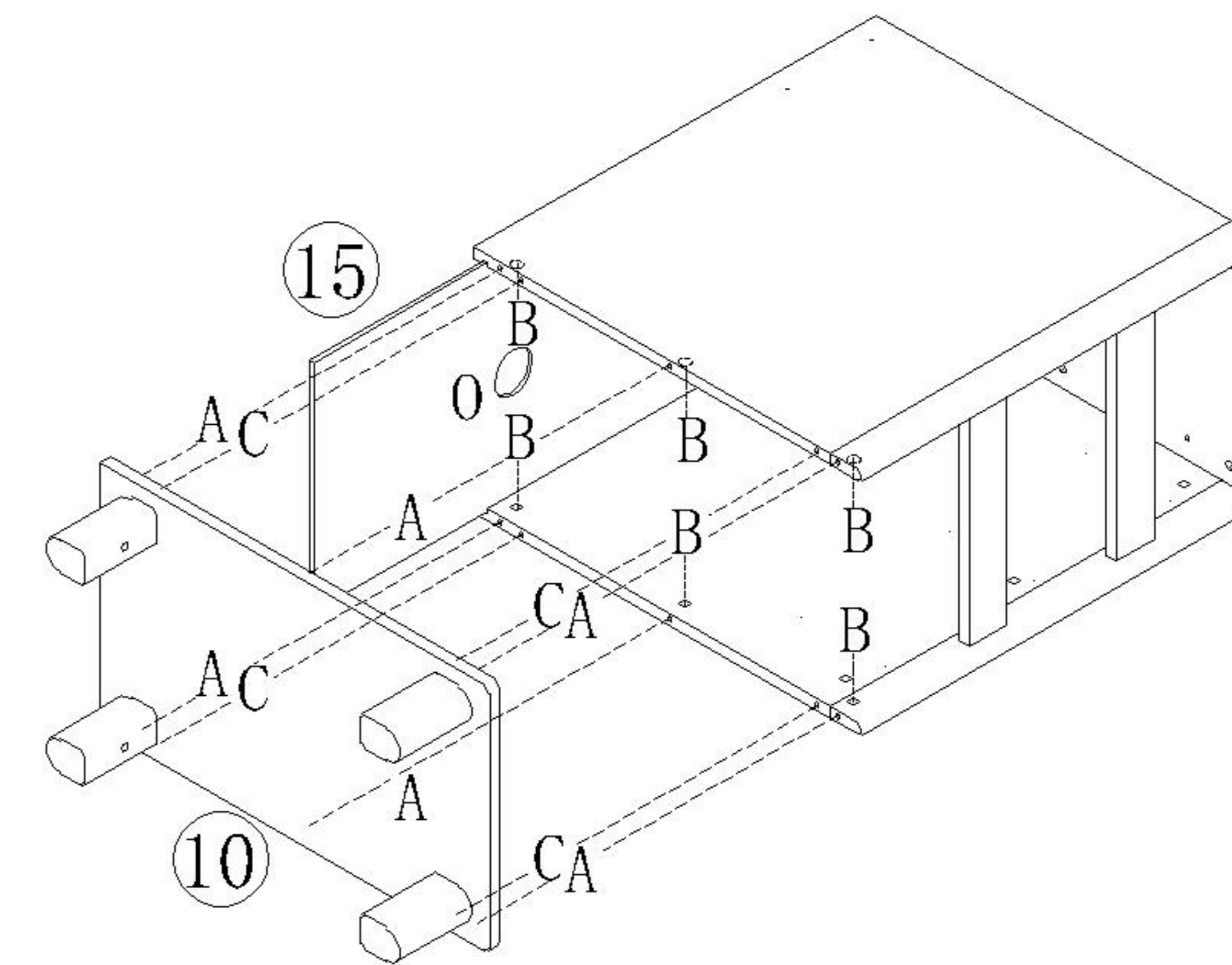


三节滚珠导轨-14"
Three-section rail

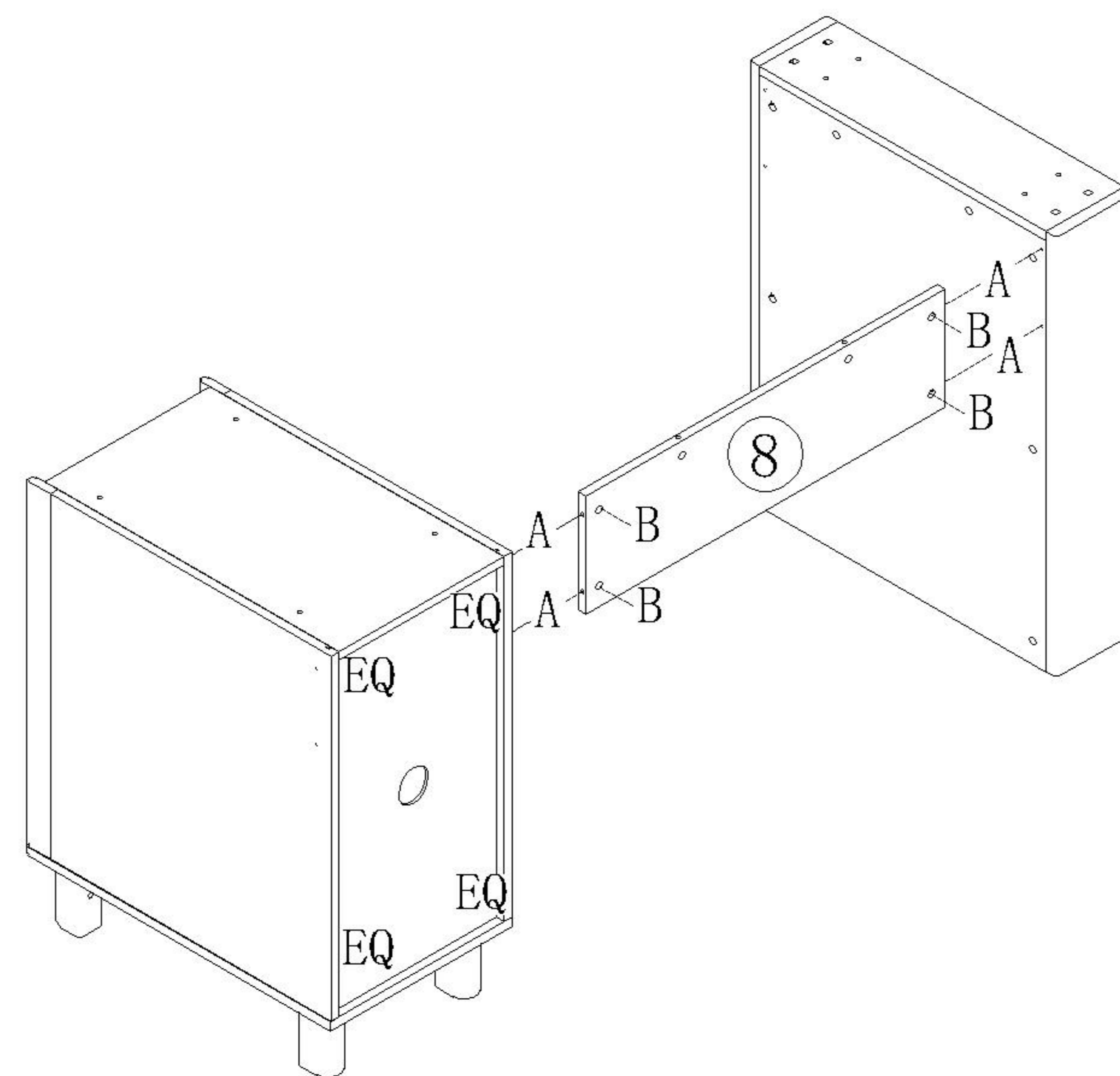
- (F)*4
- (C)*4
- (K)*4
- (N)*4



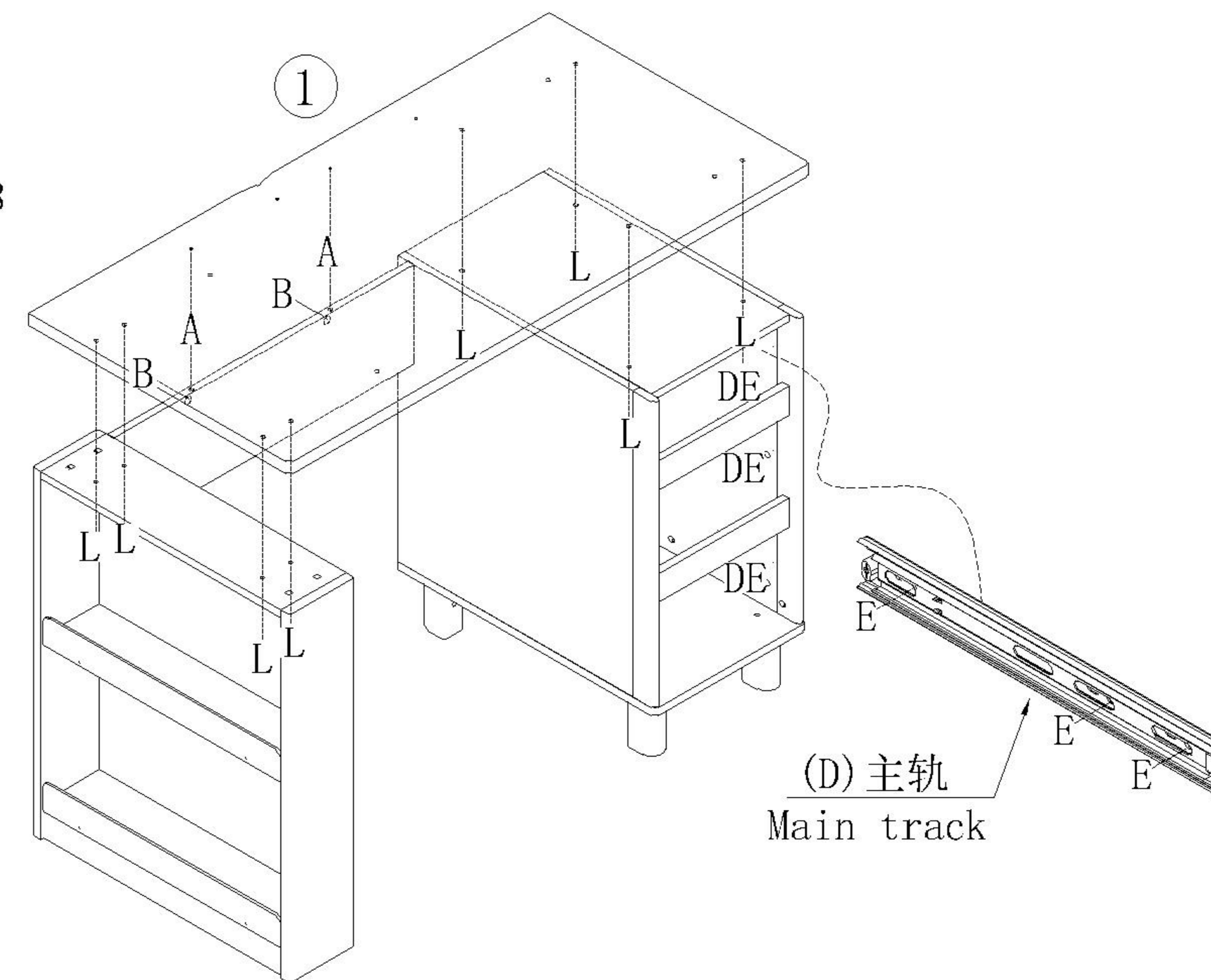
- (A)*6
- (B)*6
- (C)*4
- (O)*1



- (A)*4
- (B)*4
- (E)*4
- (Q)*4

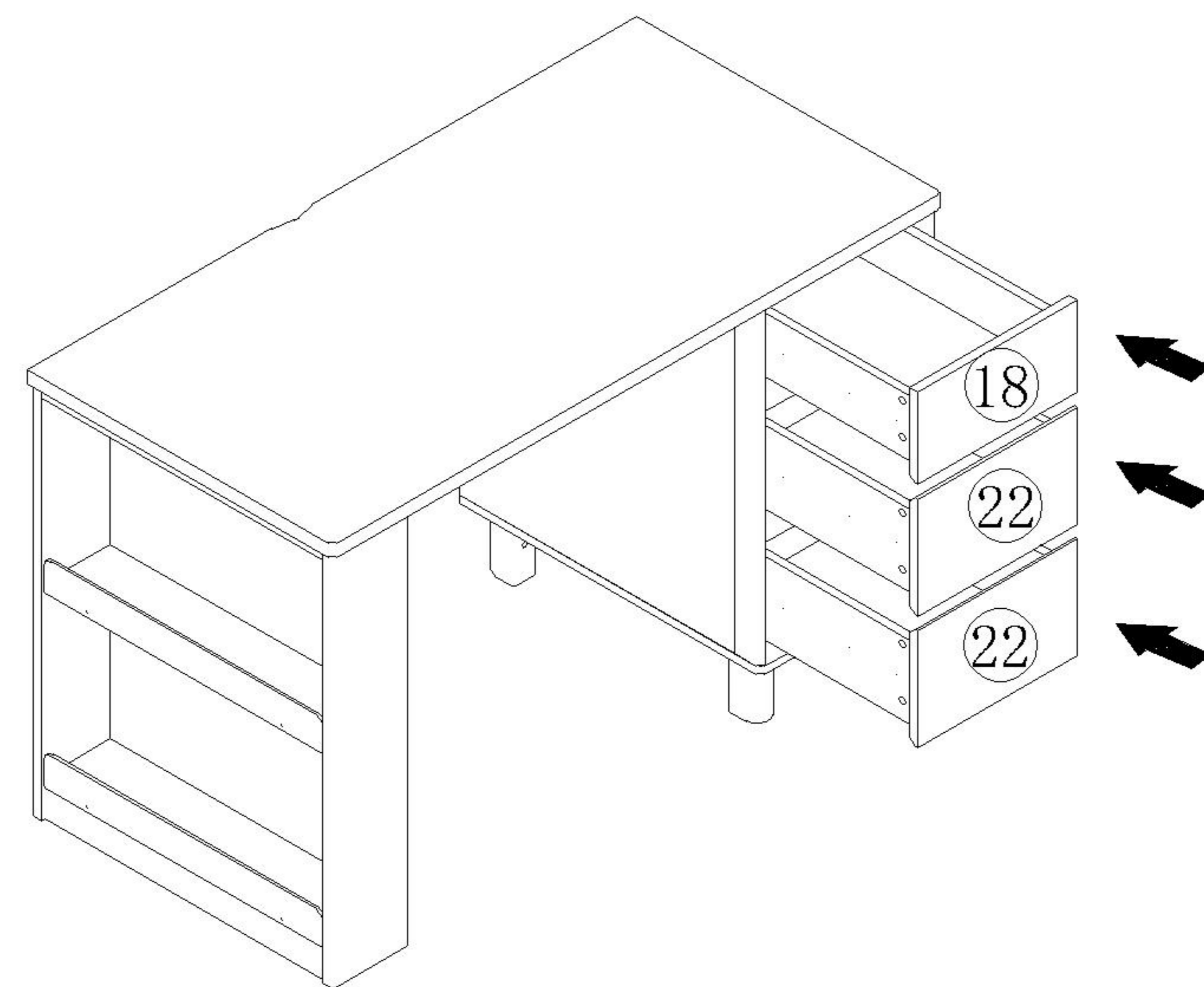


- (D)*3
- (E)*18
- (A)*2
- (B)*2
- (L)*8



安装方法

Installation method



13

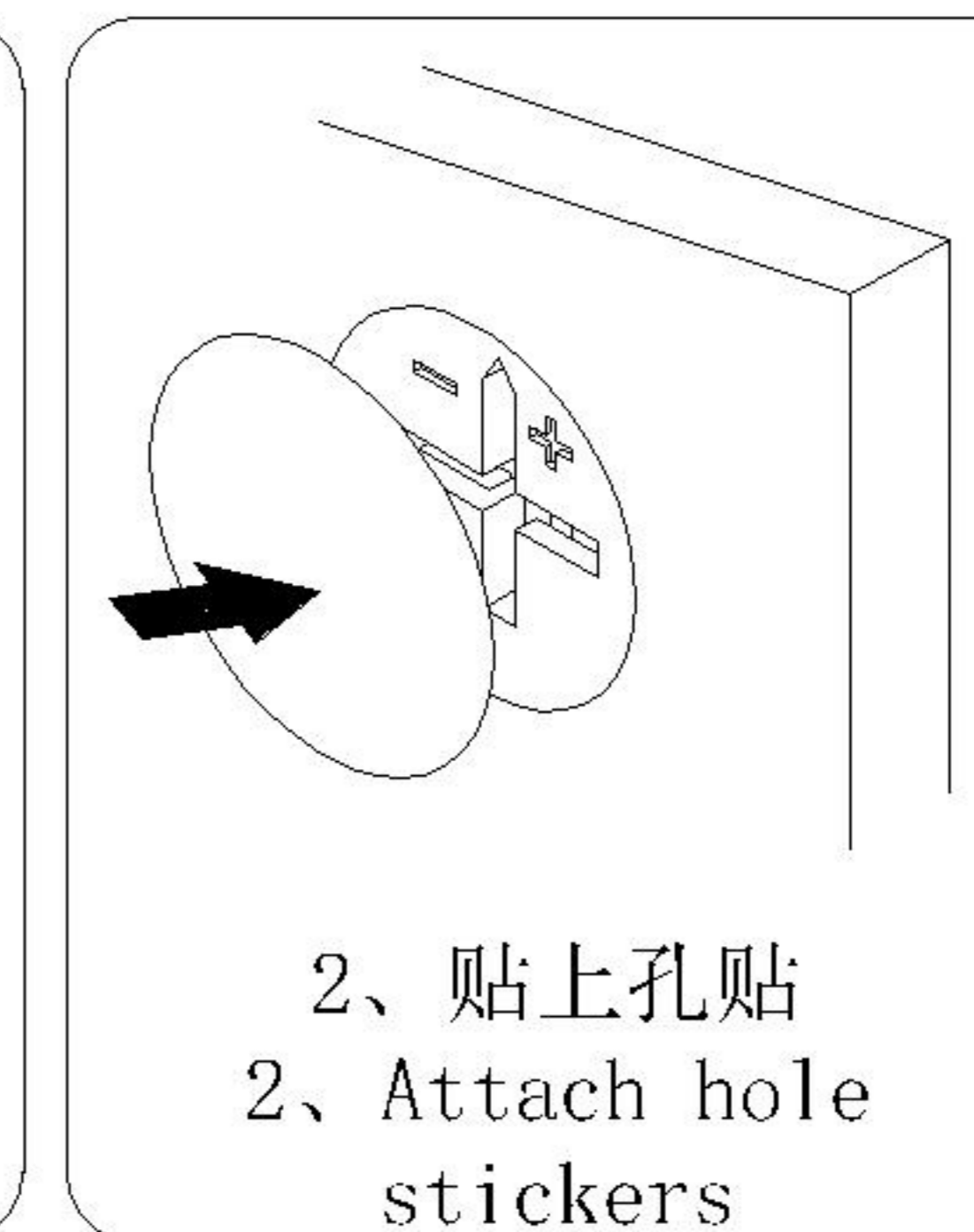
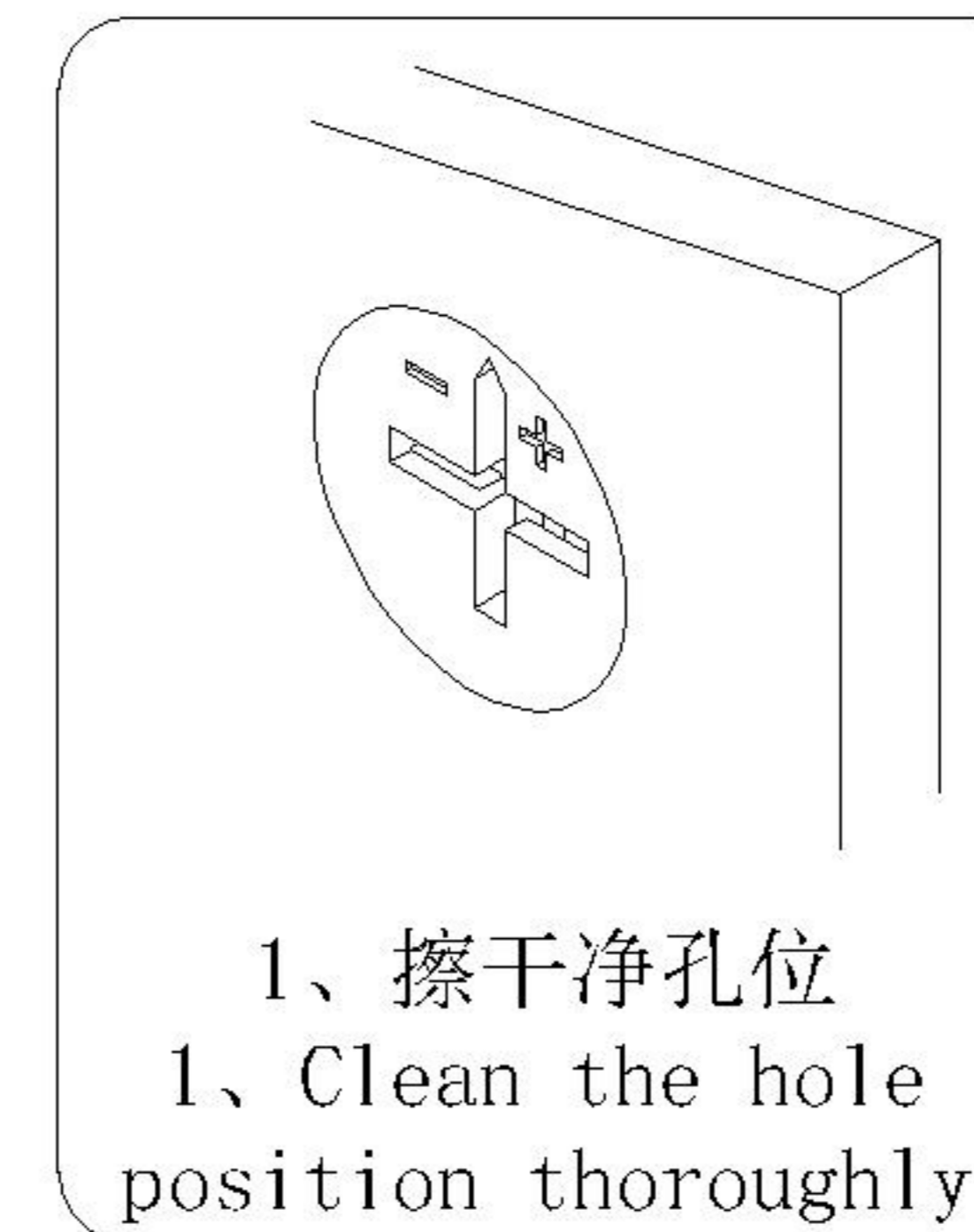
(P)*84

孔位贴使用小贴士

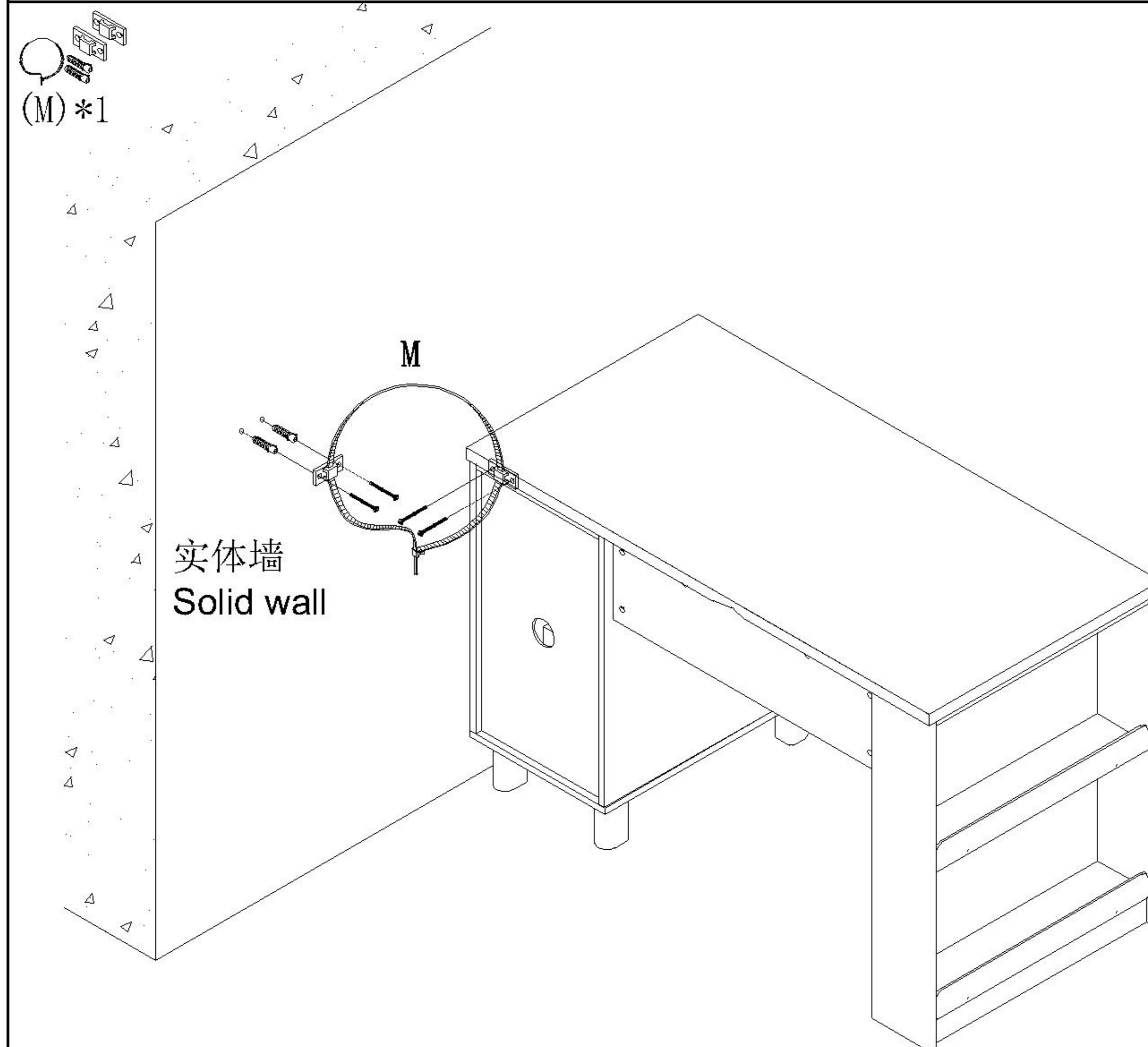
产品安装完成后请贴上孔贴，多出的孔贴请保管好

Tips for using hole stickers:

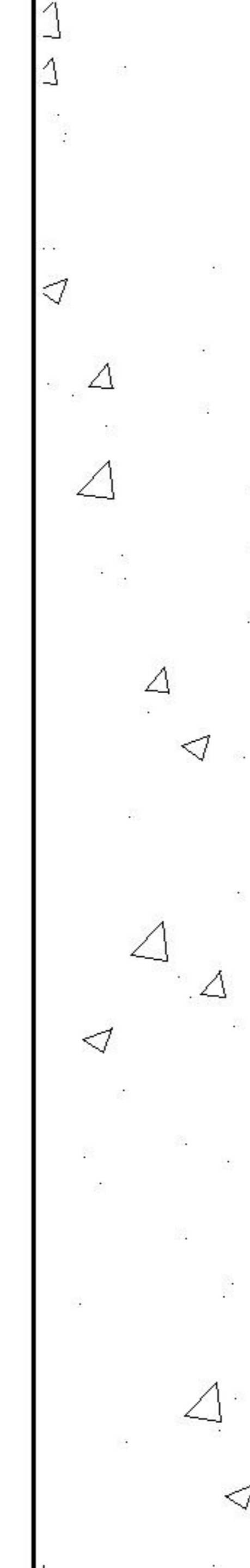
After the product installation is completed, please attach the hole stickers. Please keep any extra hole stickers safe



14



15



16

LINSY 林氏家居

五金表/Hardware list

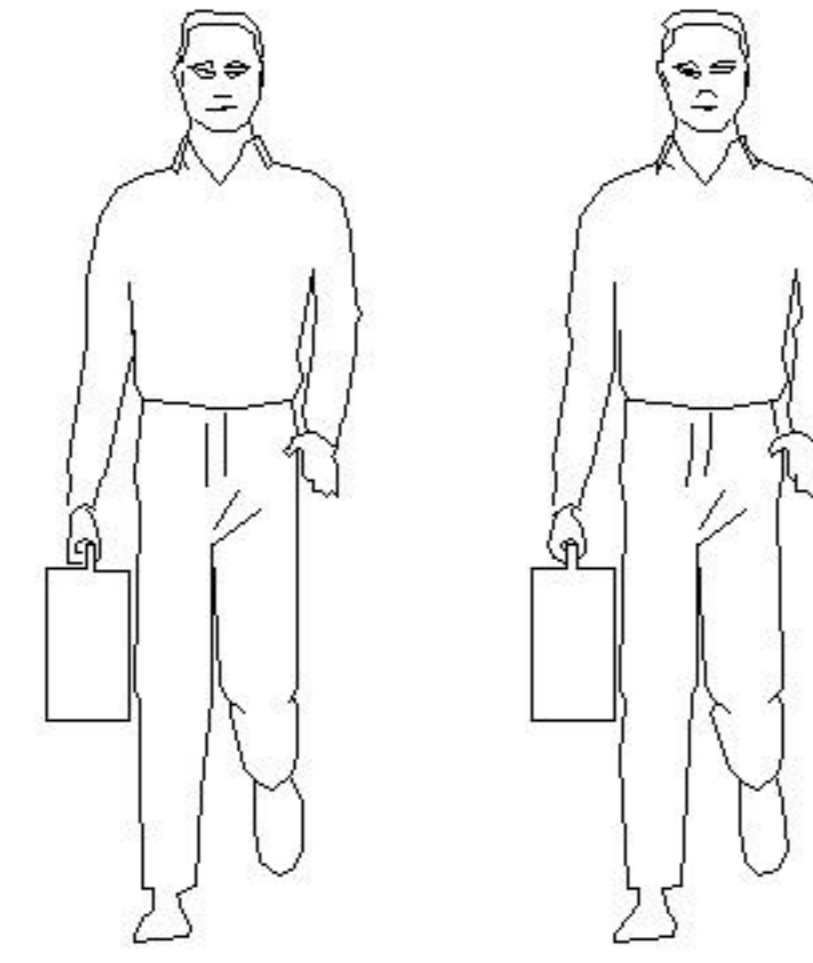
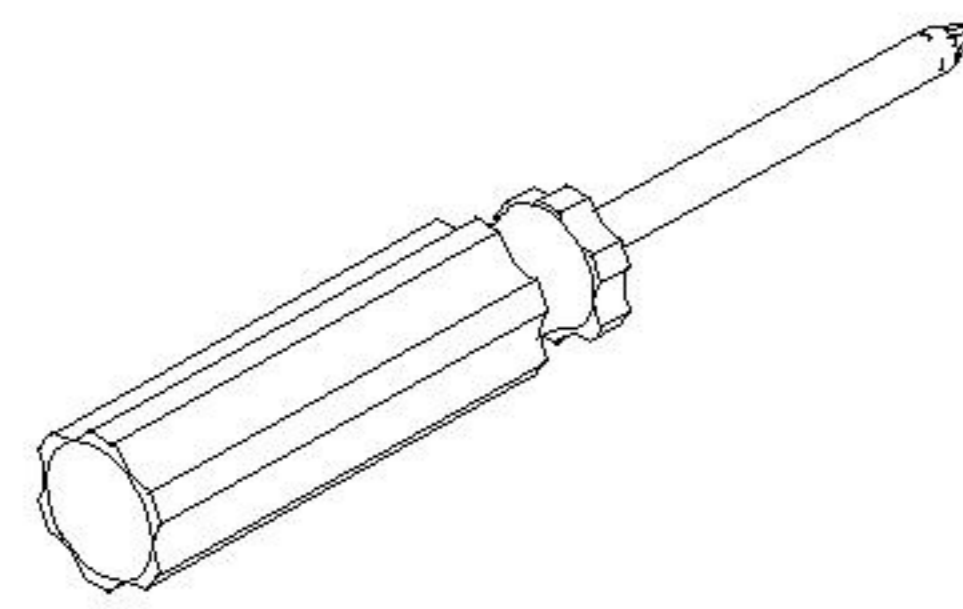
部件表/Parts List

安装示意图/Assembly Instruction

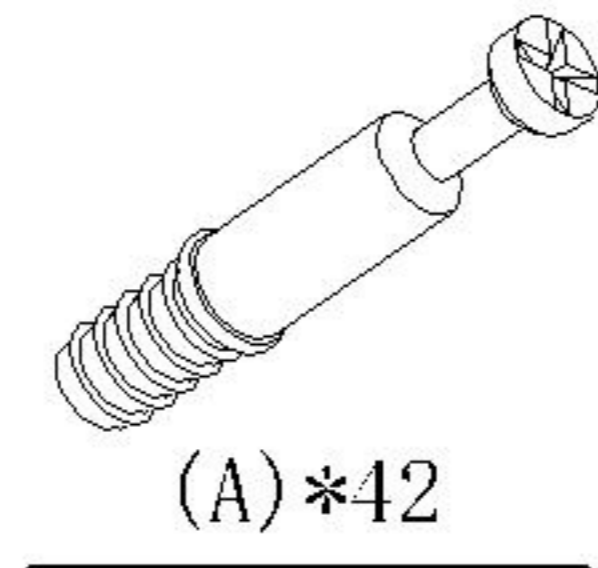
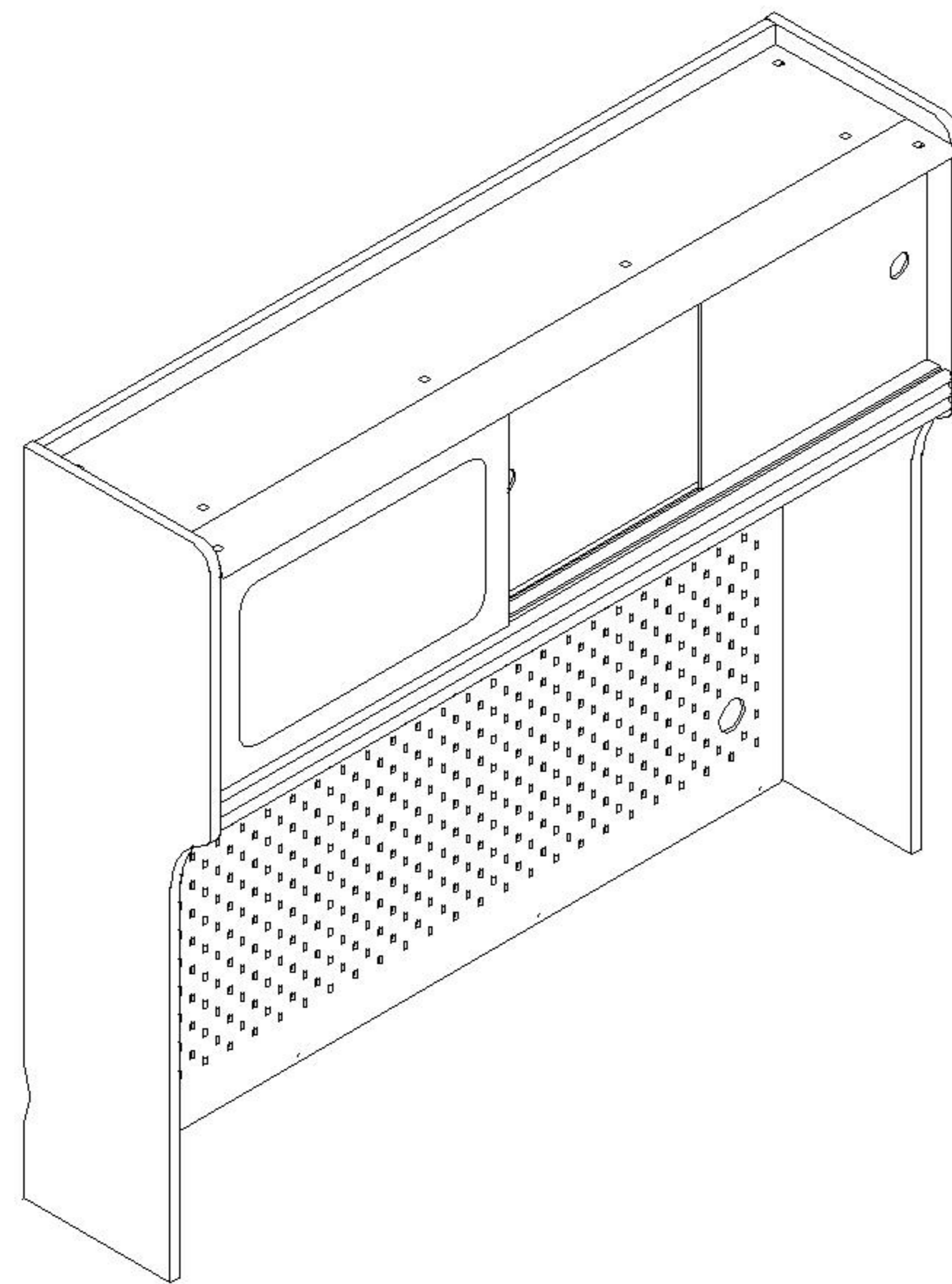
产品名称 Model NO. UY2V-A1.2米上柜

产品规格 Specification 1198*305*1040mm

安装工具 Tool 安装人数 Installer



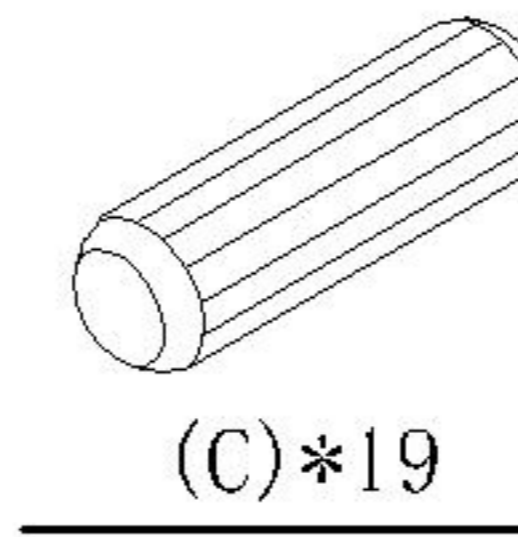
注：为保证设计效果，部分尺寸为定制尺寸，不影响使用。



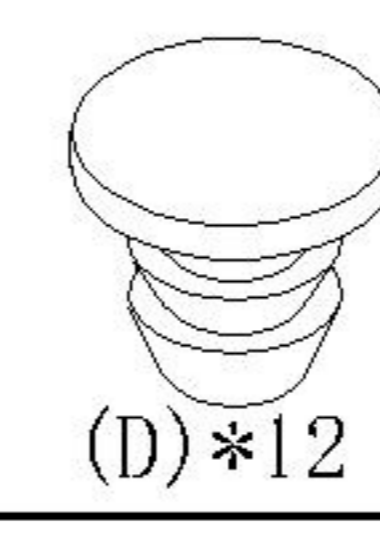
(A)*42
二合一螺杆
2-in-1-screw



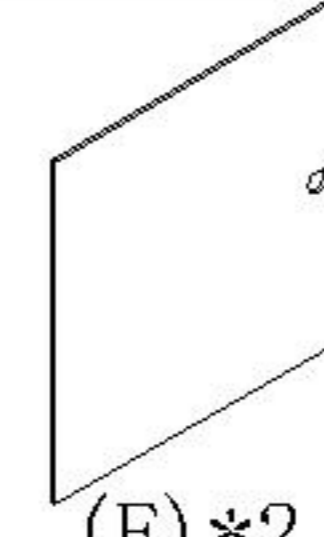
(B)*42
大三合一锁饼
3-in-1 large lock



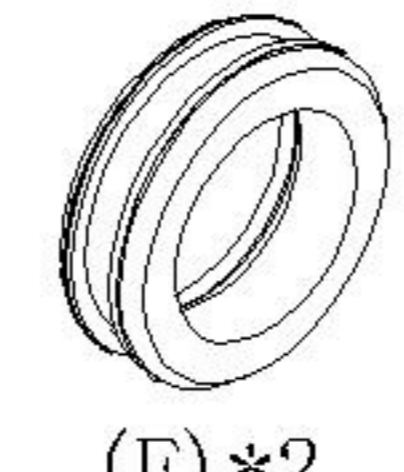
(C)*19
木榫- $\phi 8 \times 30$
Wood tenon



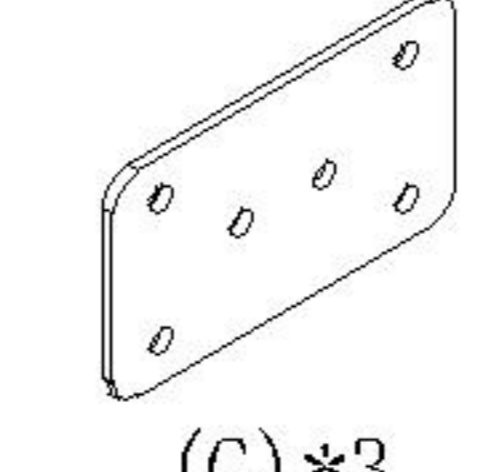
(D)*12
防撞孔塞
Anti-collision plug



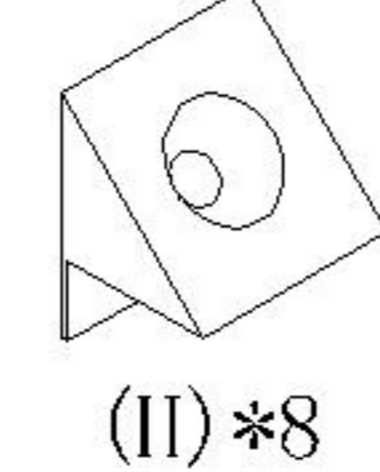
(E)*2
门板玻璃
Door glass



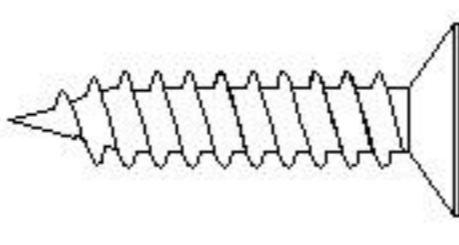
(F)*2
银色亮光圆环拉手
Silver shiny
circular handle



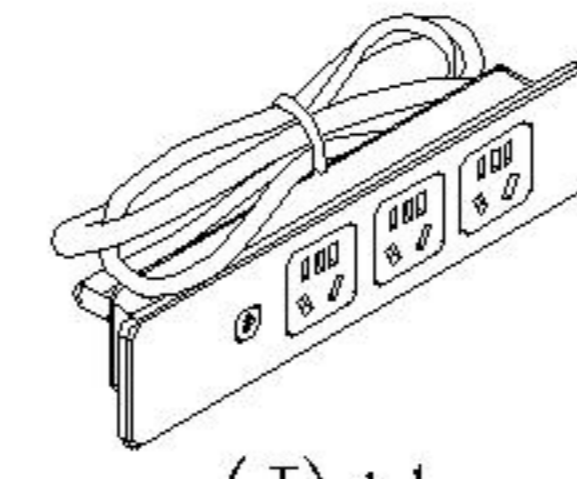
(G)*3
铁床条
Iron bed strip



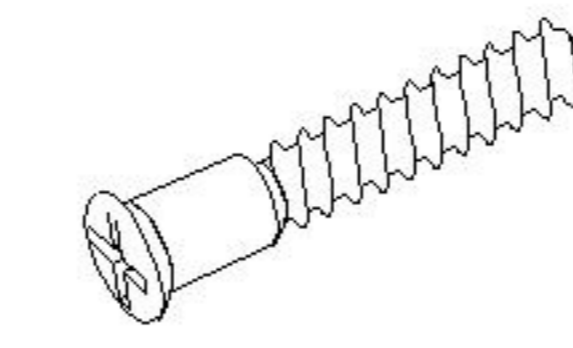
(H)*8
背板扣
Back Panel Buckle



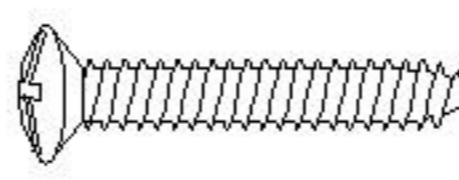
(I)*23
白攻螺丝M3.5*14mm
Tapping screw



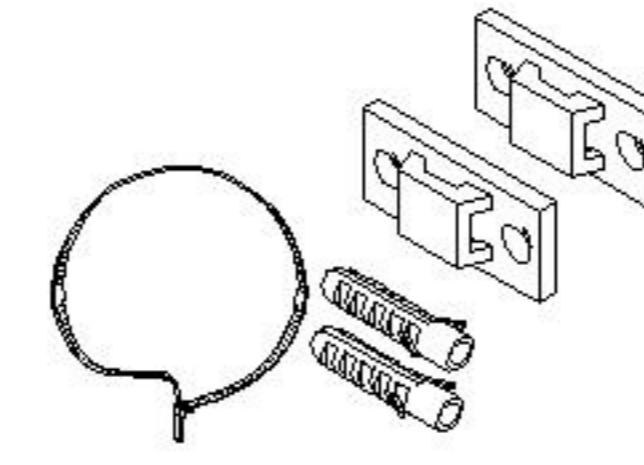
(J)*1
插座
Socket



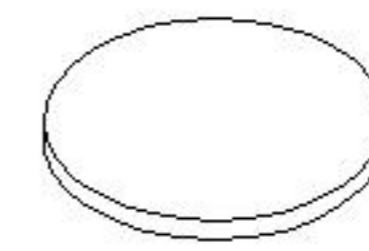
(K)*16
过山丝-M7x38mm
Confirmat screw



(L)*8
白攻大扁M4*16mm
Flat head
tapping screw

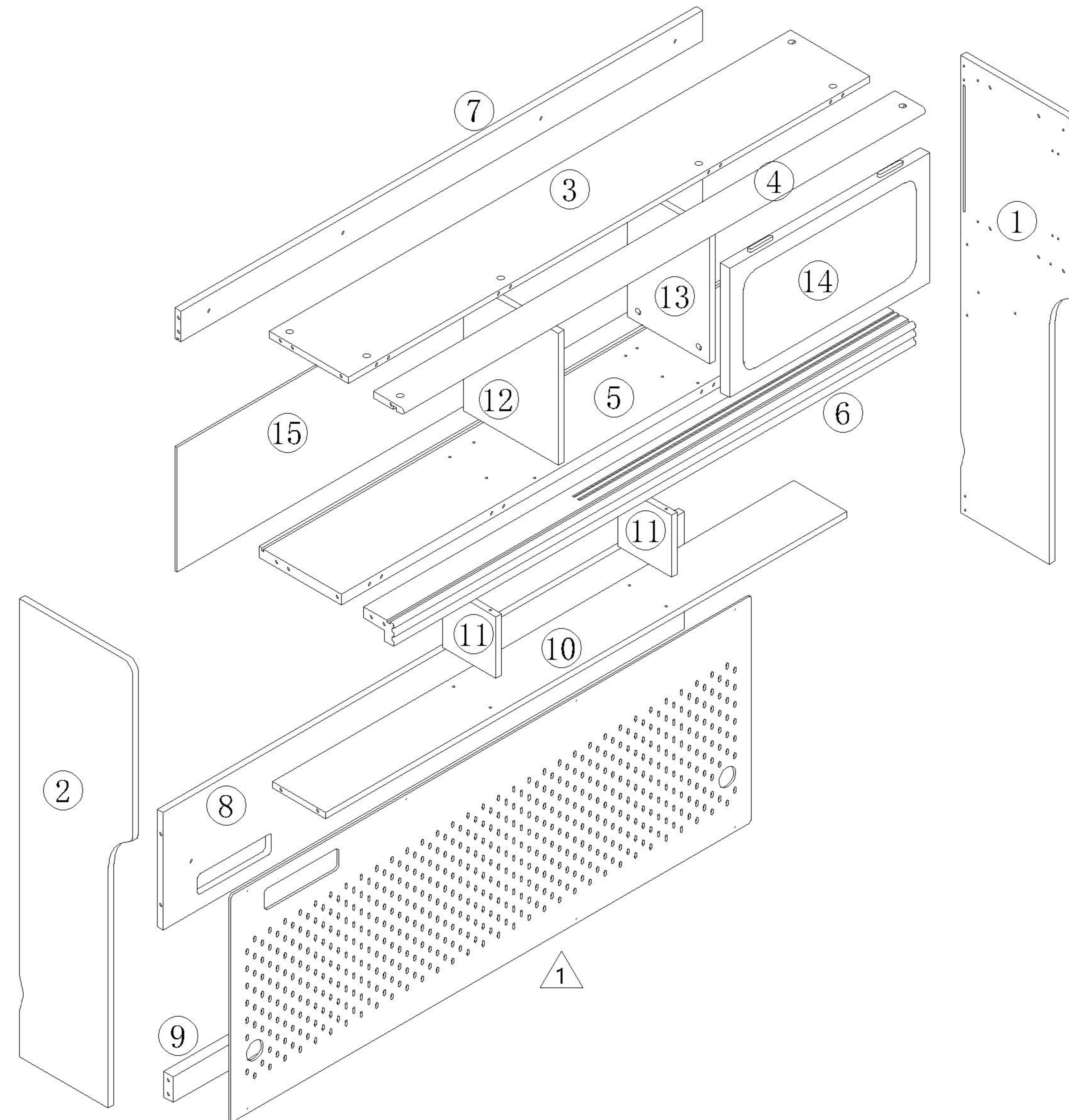


(M)*1
家具防倒器-白色
Anti-fall device



(N)*42
PVC孔贴
PVC hole sticker

编号NO.	名称Name	规格(mm) Specification	数量QTY	材质Material
UY2V-A1.2米上柜 UY2V-A1.2-meter cabinet				
①	右侧板Side board(R)	1040*298*15	1	刨花板 Particle board
②	左侧板Side board(L)	1040*298*15	1	刨花板 Particle board
③	顶板Top board	1168*208*15	1	刨花板 Particle board
④	上拉条Top brace	1168*80*15	1	橡胶木 Rubber wood
⑤	层板Shelf	1168*217*25	1	刨花板 Particle board
⑥	中拉条Brace	1168*80*50	1	橡胶木 Rubber wood
⑦	背拉条Back brace	1168*70*15	1	刨花板 Particle board
⑧	背板Back board	1168*267*15	1	橡胶木 Rubber wood
⑨	下拉条Bottom brace	1168*58*25	1	刨花板 Particle board
⑩	下层板Lower shelf	1168*140*15	1	刨花板 Particle board
⑪	中隔板Middle clapboard	140*140*15	2	刨花板 Particle board
⑫	左中侧板Middle side board(L)	300*248*15	1	刨花板 Particle board
⑬	右中侧板Middle side board(R)	300*216*15	1	刨花板 Particle board
⑭	趟门板Door plank	465*307*25	1	橡胶木+纤维板 Rubber wood+Fiberboard
⑮	上背板Upper back board	1178*283*5	1	纤维板 Fiberboard
UY2V-A1.2米洞洞板 UY2V-A1.2-meter hole slab				
△1	饰板 plaque	1166*515*1.8	1	纤维板 Fiberboard



编号NO.

名称Name

UY2V-A1. 2米上柜

①	右侧板Side board(R)
②	左侧板Side board(L)
③	顶板Top board
④	上拉条Top brace
⑤	层板Shelf
⑥	中拉条Brace
⑦	背拉条Back brace
⑧	背板Back board
⑨	下拉条Bottom brace
⑩	下层板Lower shelf
⑪	中隔板Middle clashboard
⑫	左中侧板Middle side board(L)
⑬	右中侧板Middle side board(R)
⑭	趟门板Door plank
⑮	上背板Upper back board

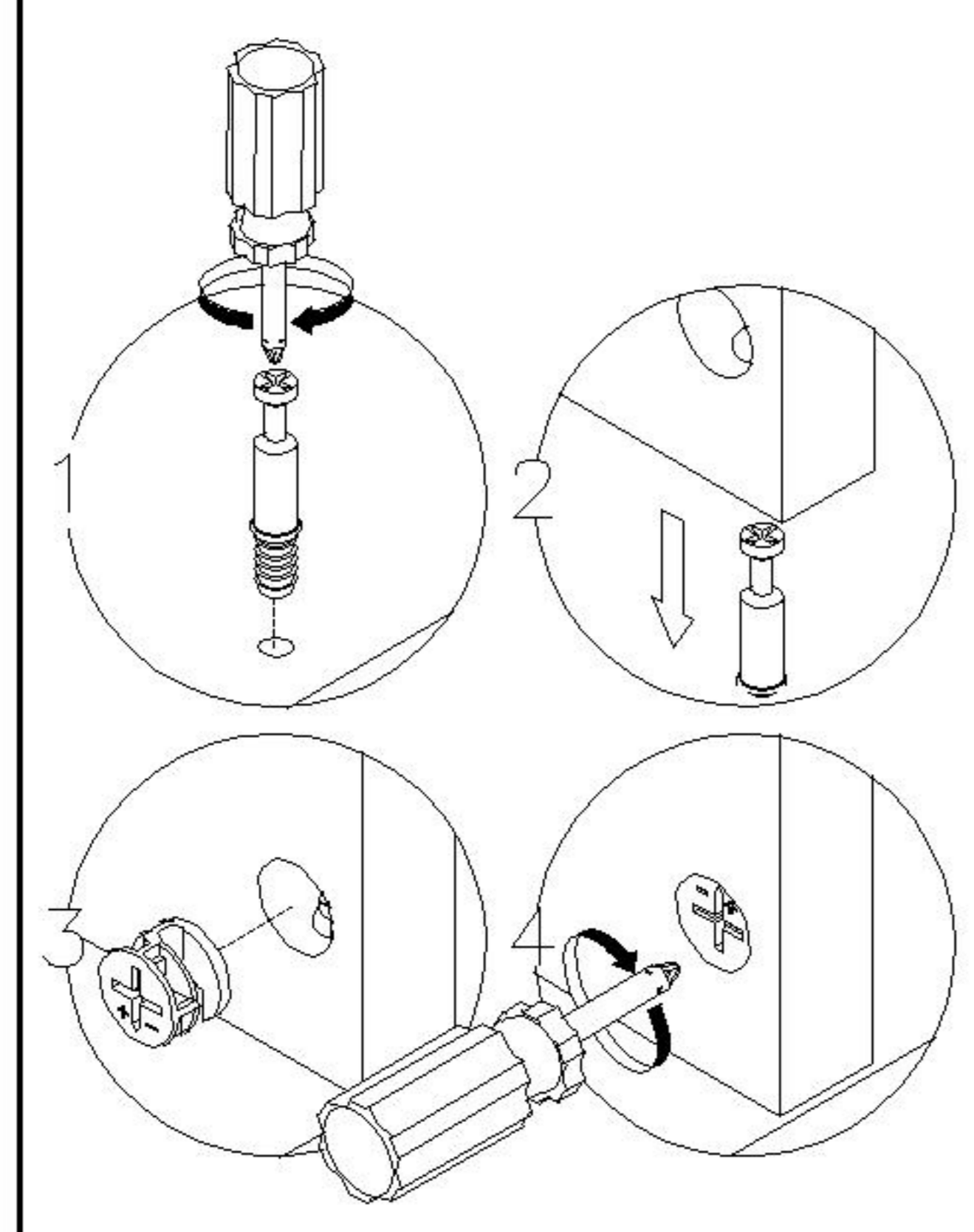
UY2V-A1. 2米洞洞板

△1	饰板 plaque
----	-----------

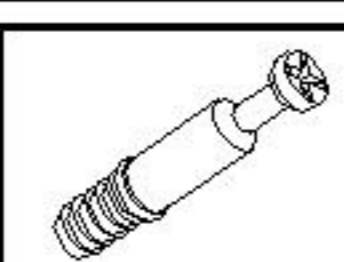
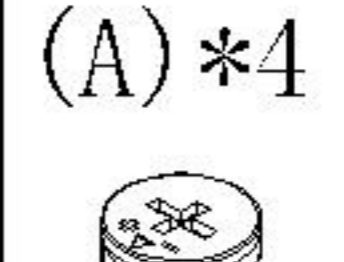
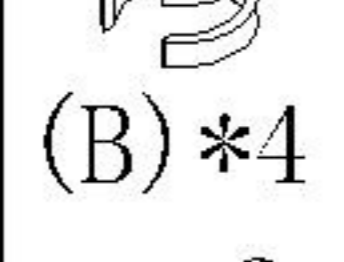
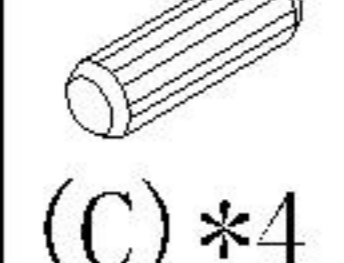
UY2V-A1.2米上柜

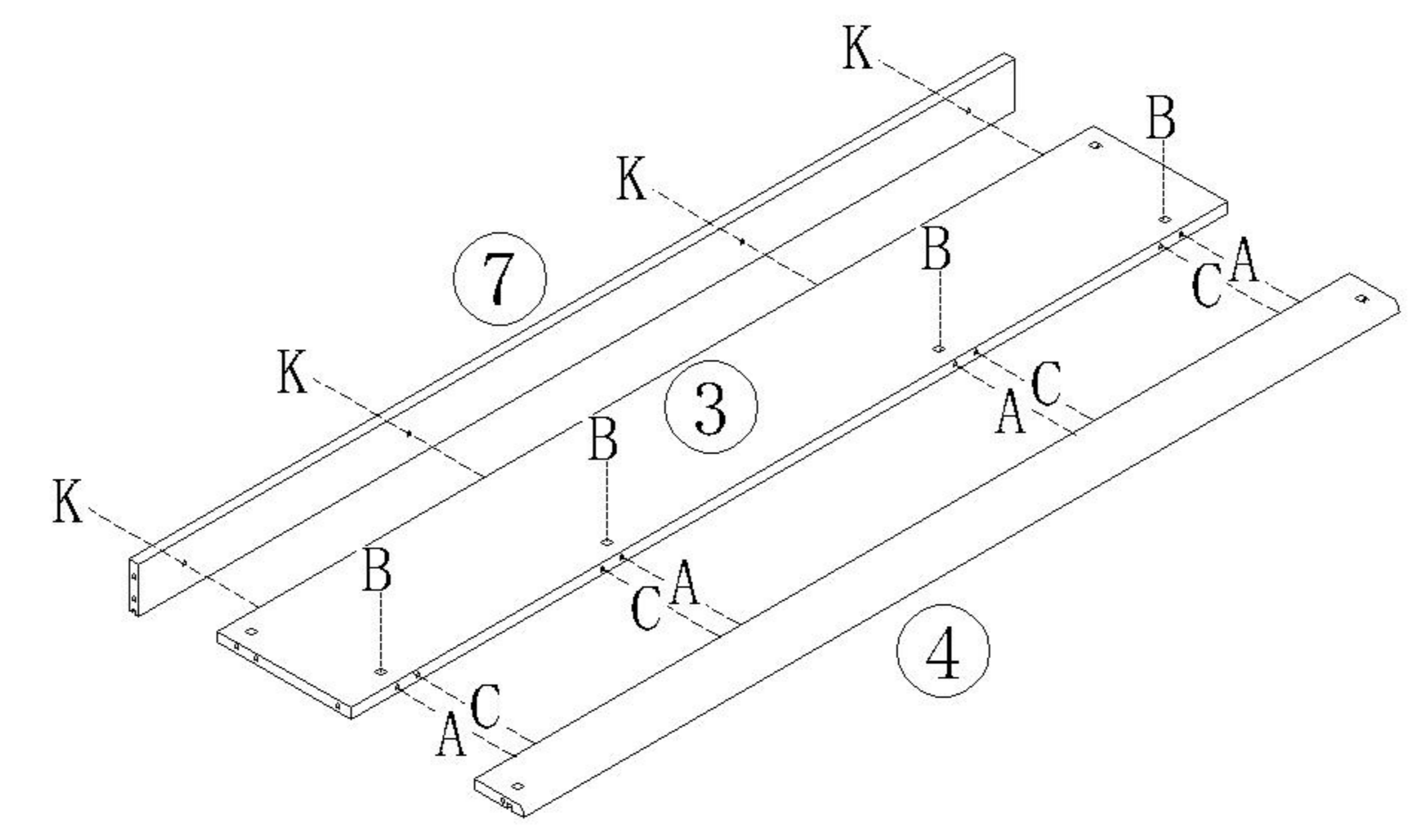
安装方法

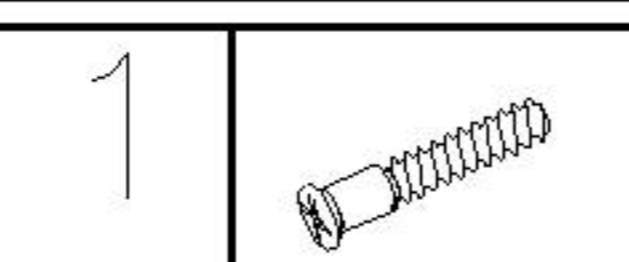
Installation method

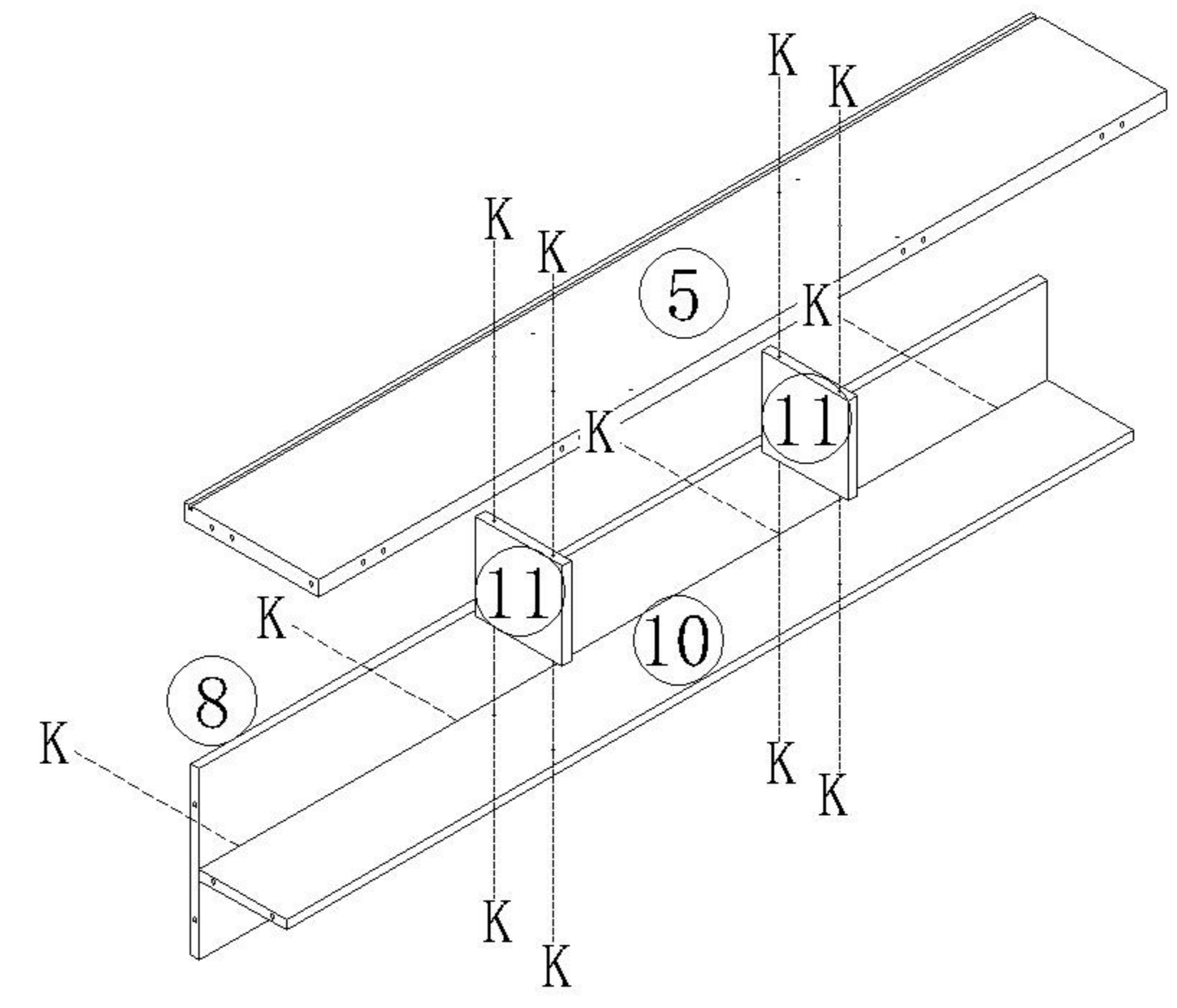


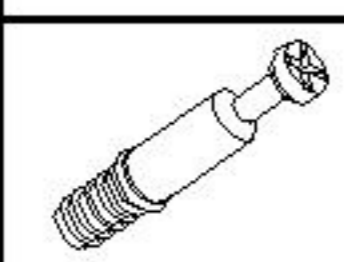

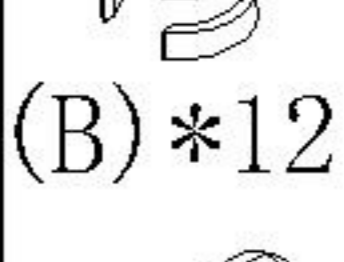
二合一 two-in-one

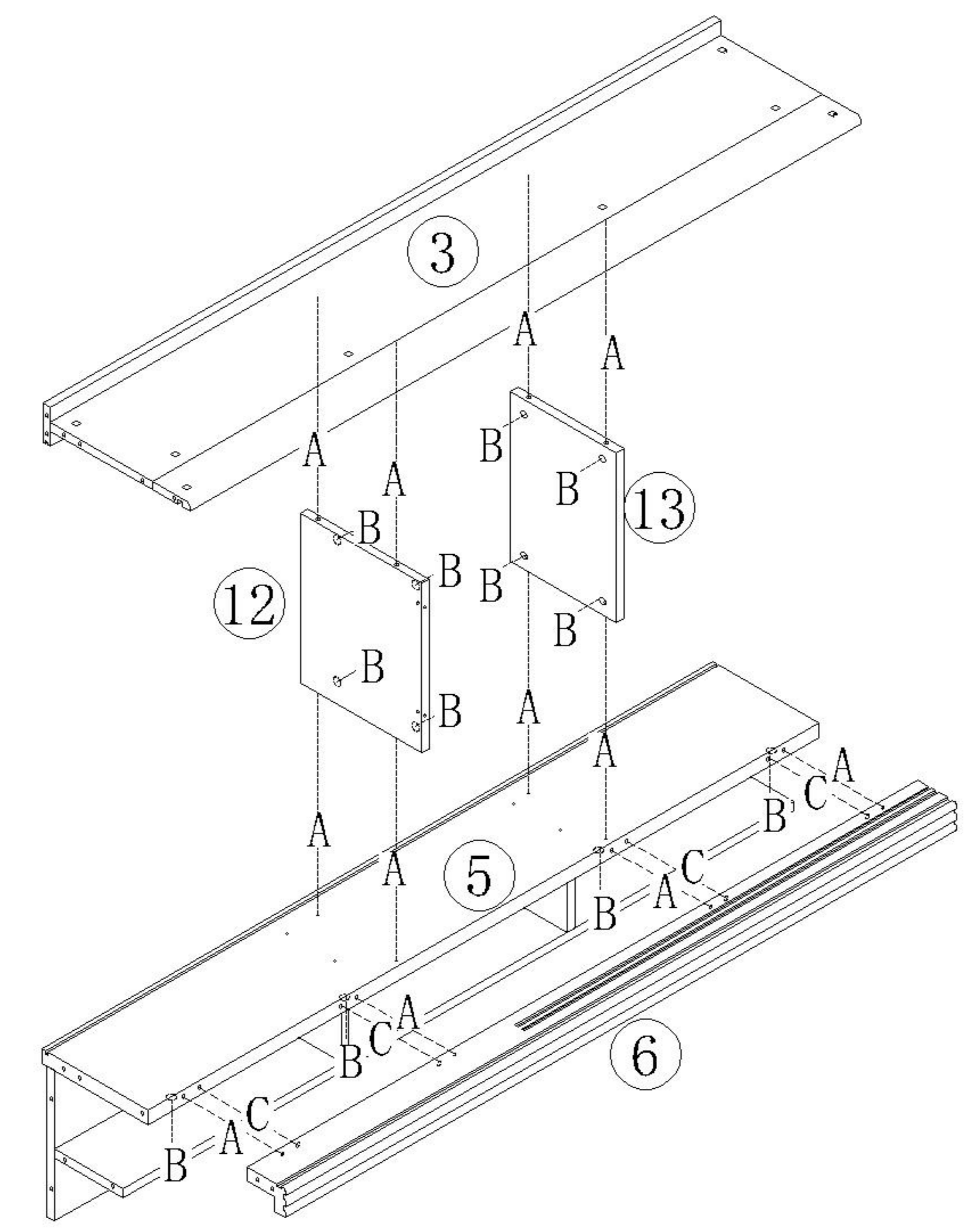
-  (A)*4
-  (B)*4
-  (C)*4
-  (K)*4

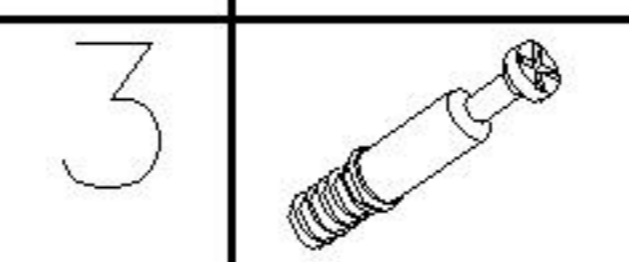
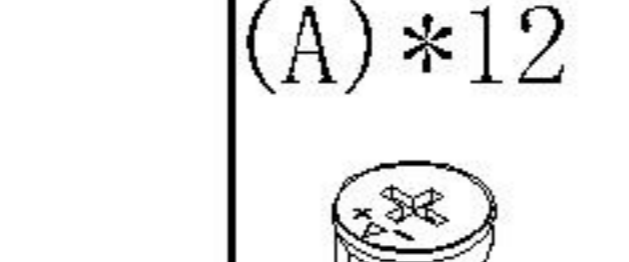
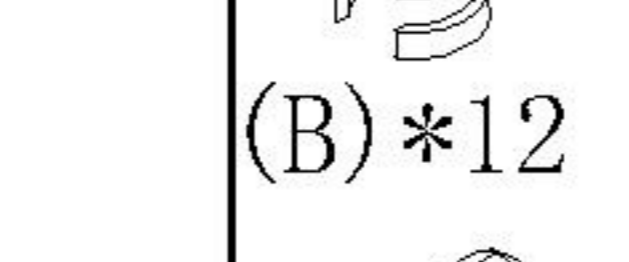


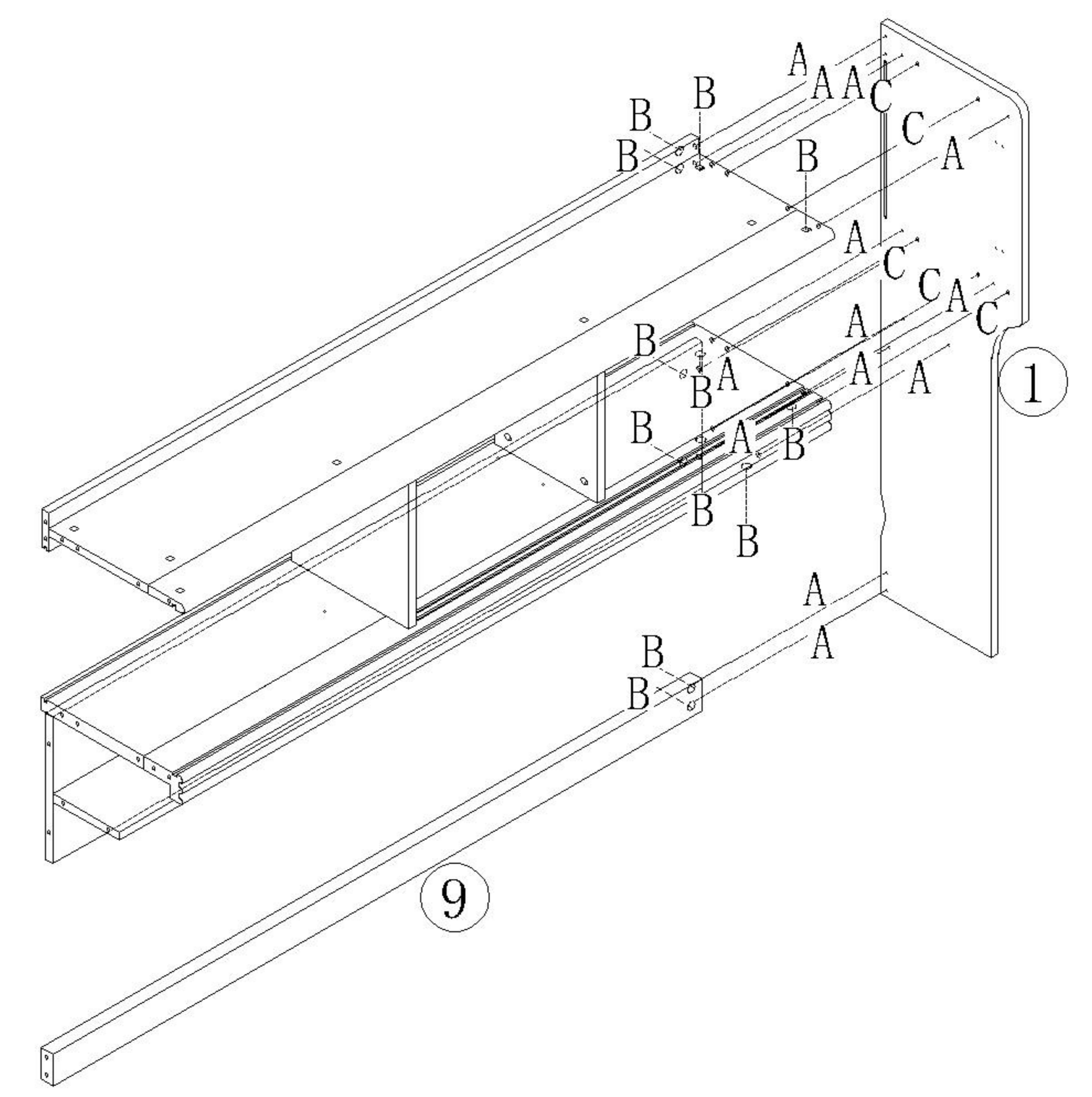
- 1  (K)*12



-  (A)*12
-  (B)*12
-  (C)*4



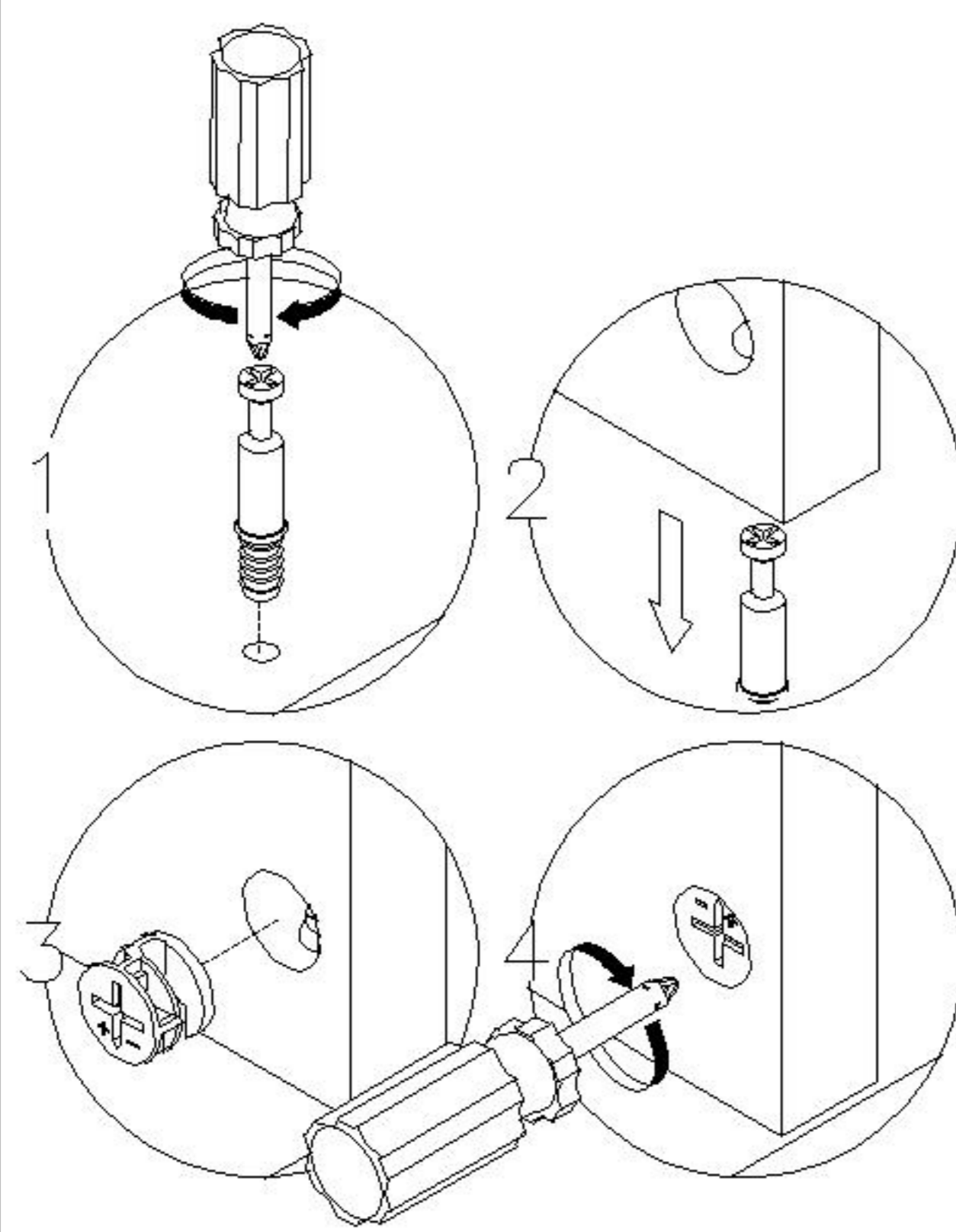
- 3  (A)*12
-  (B)*12
-  (C)*5



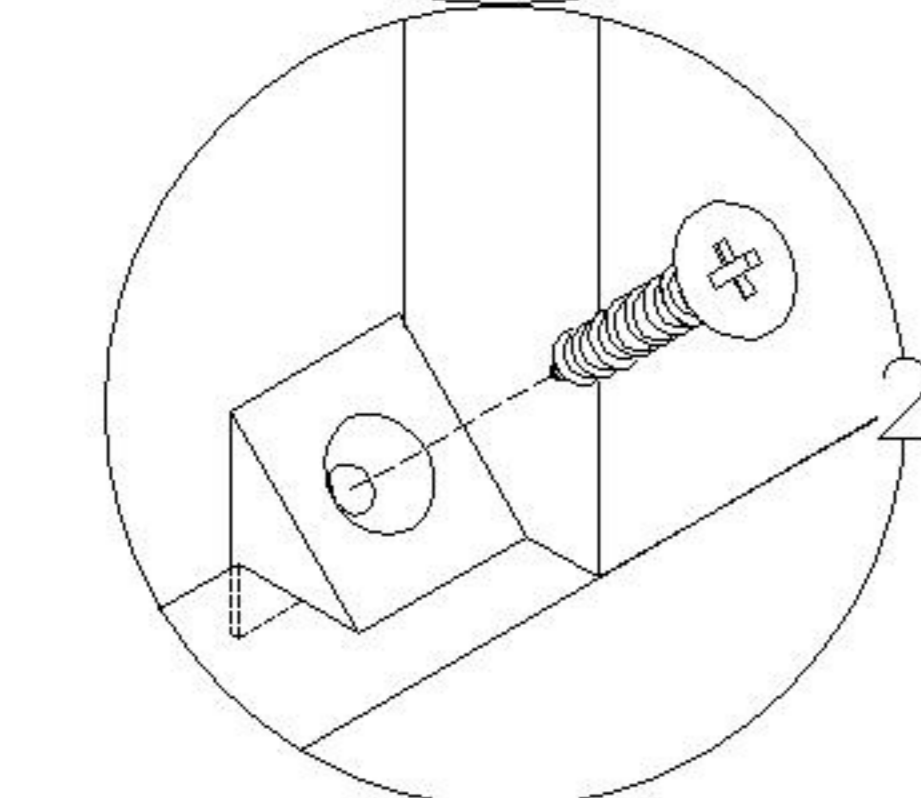
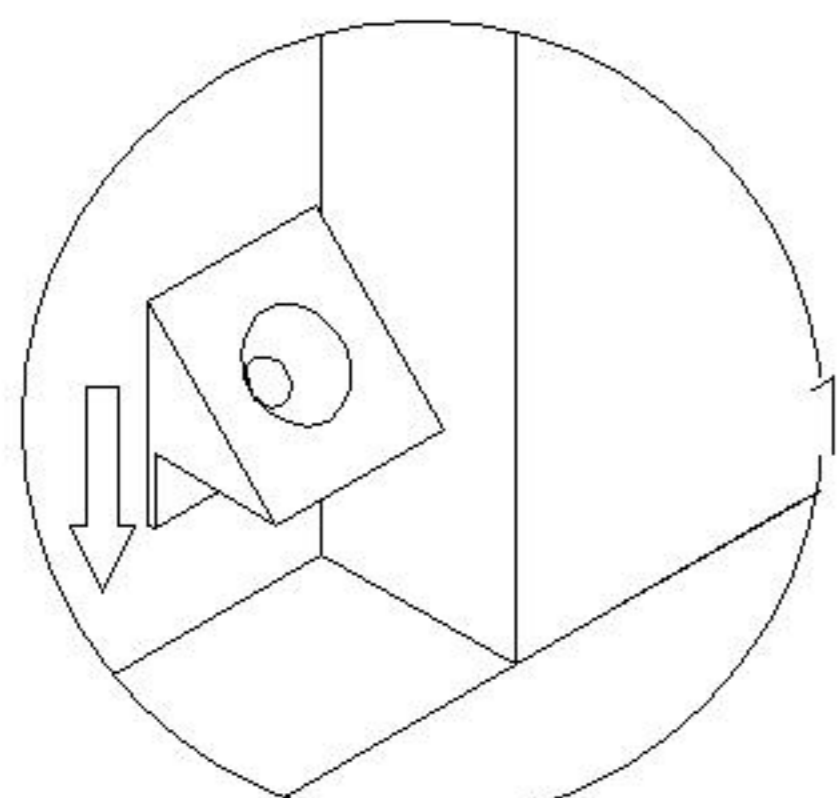
UY2V-A1.2米上柜

安装方法

Installation method

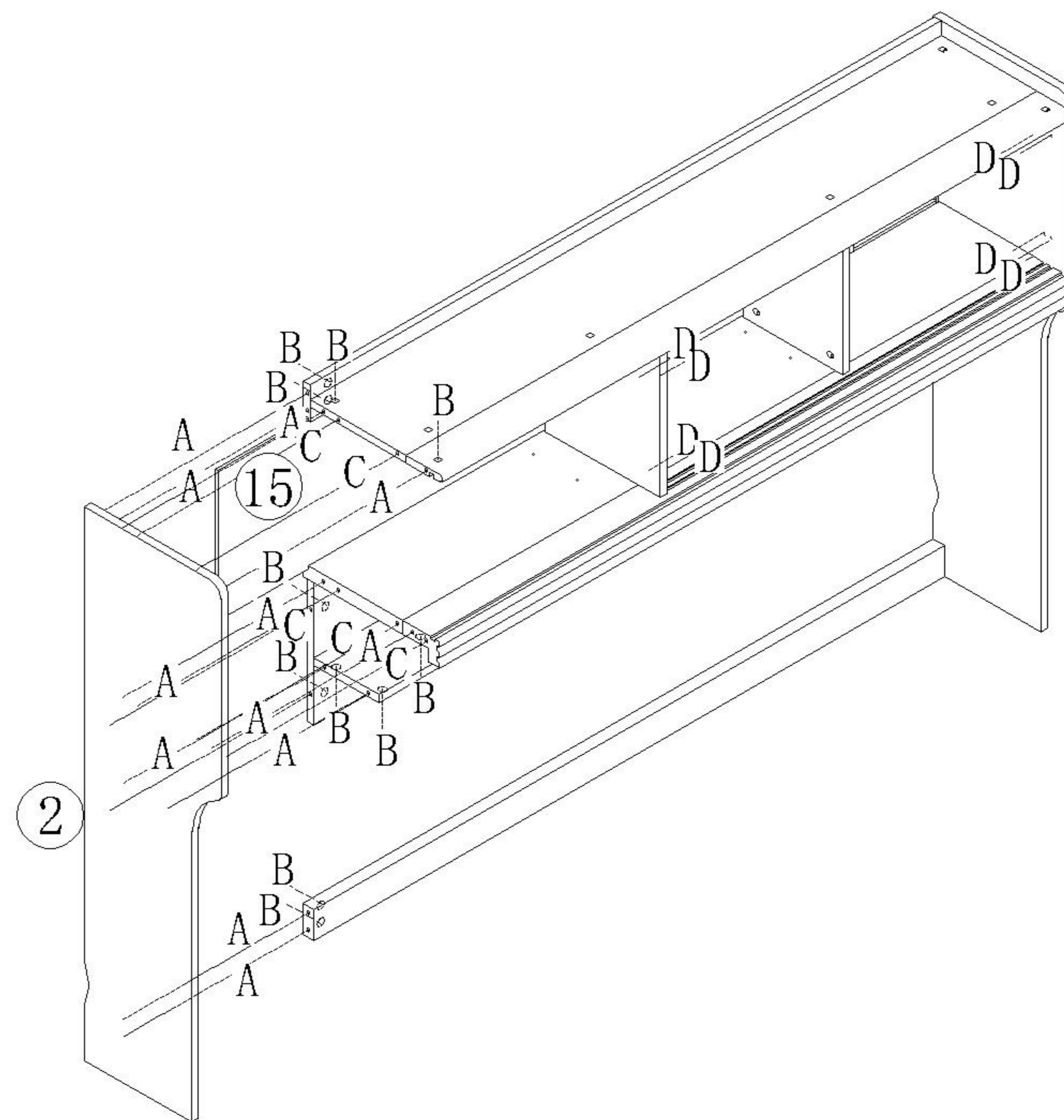


二合一 two-in-one

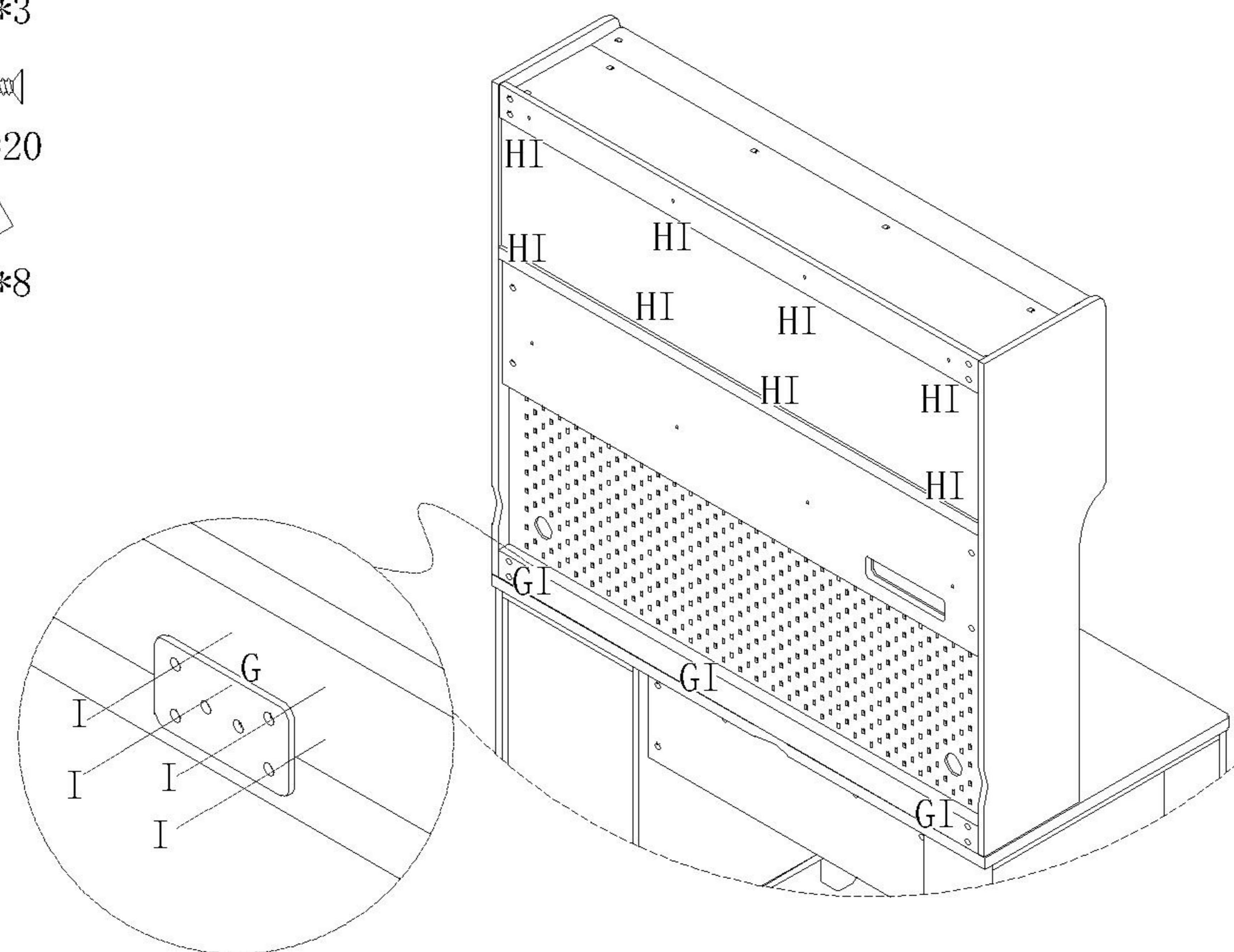


背板扣
Back Plate Buckle

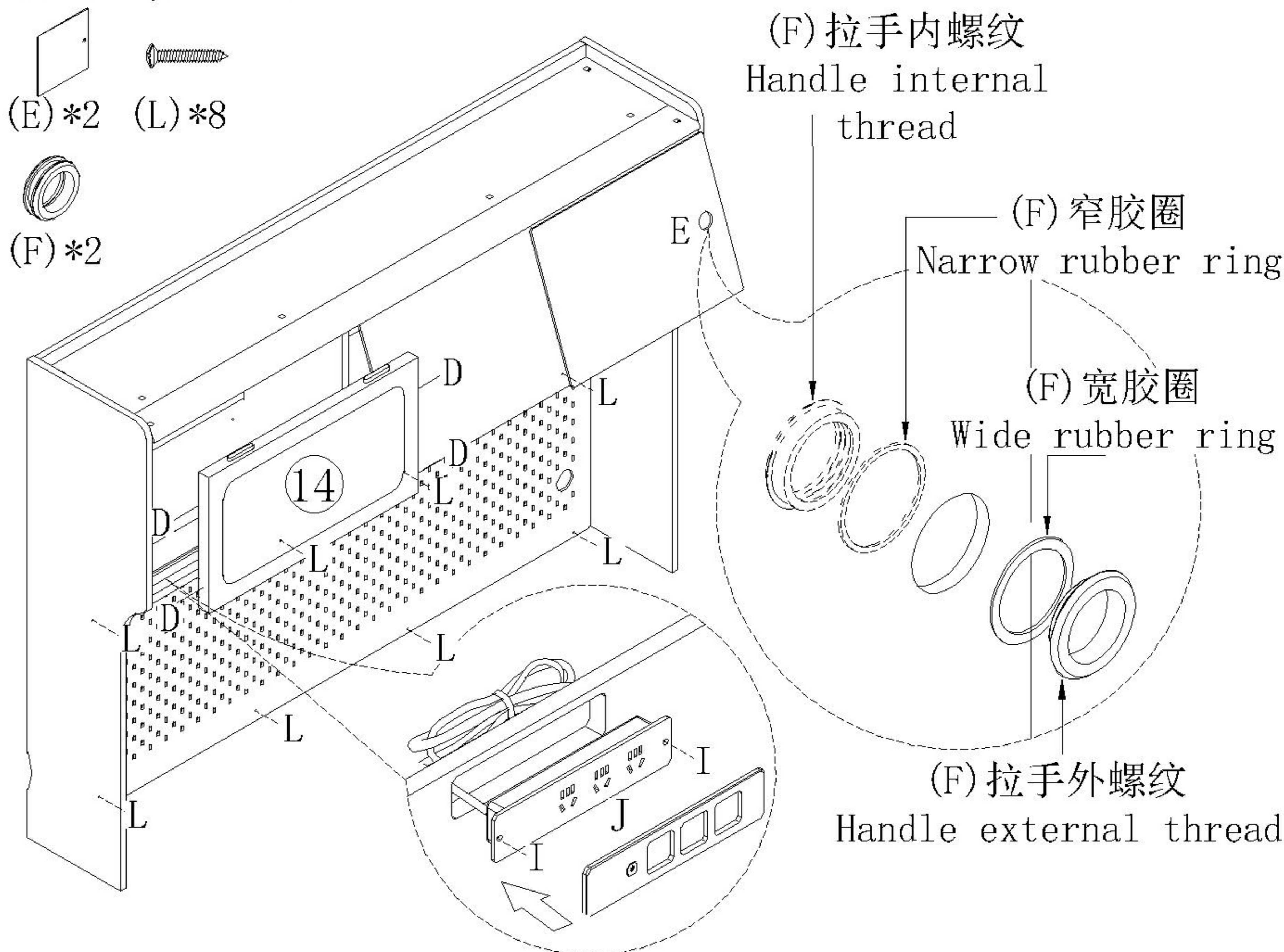
- (A) *12
- (B) *12
- (C) *5
- (D) *8



- (G) *3
- (I) *20
- (H) *8



- (D) *4 (J) *1 (I) *2
- (E) *2 (L) *8
- (F) *2



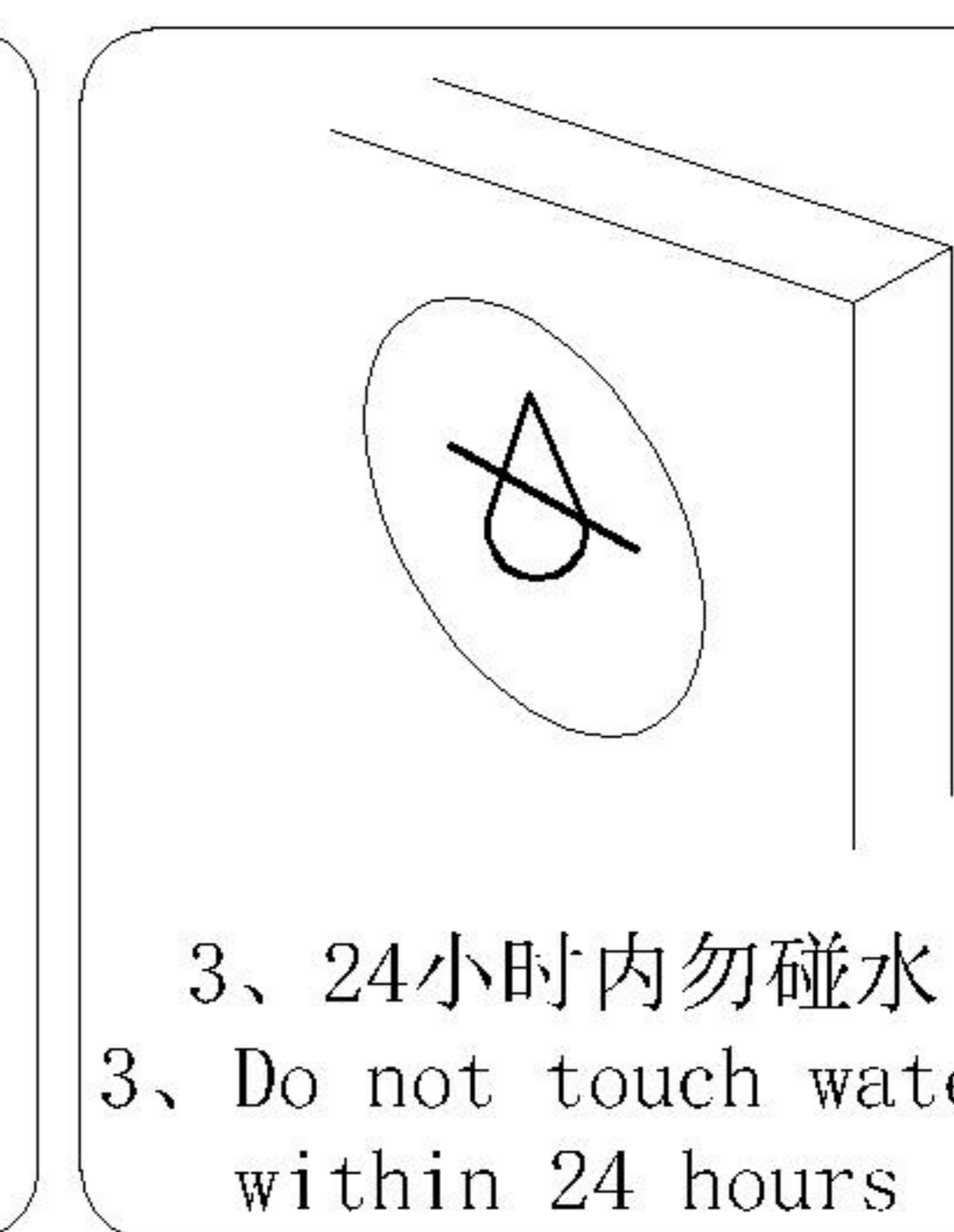
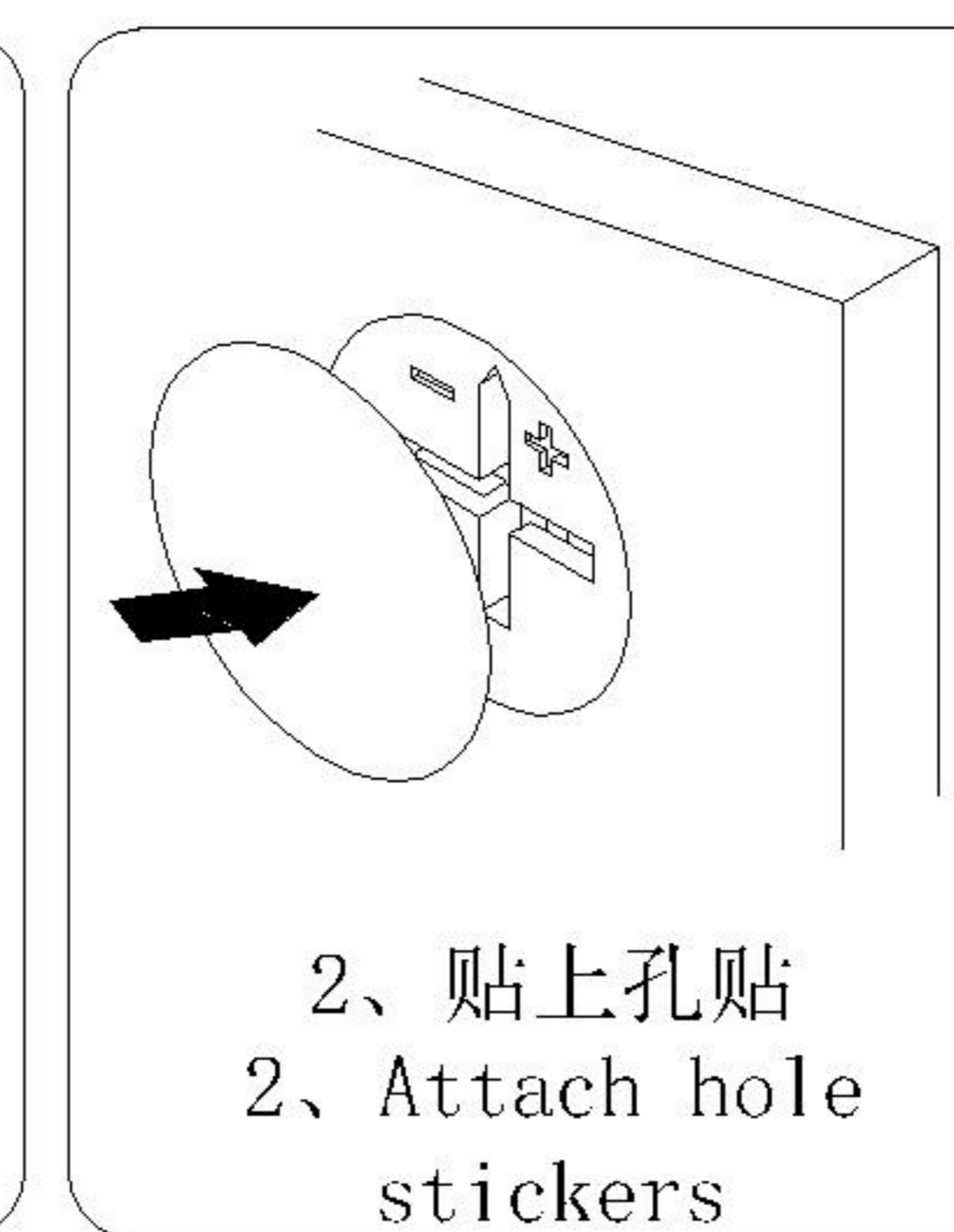
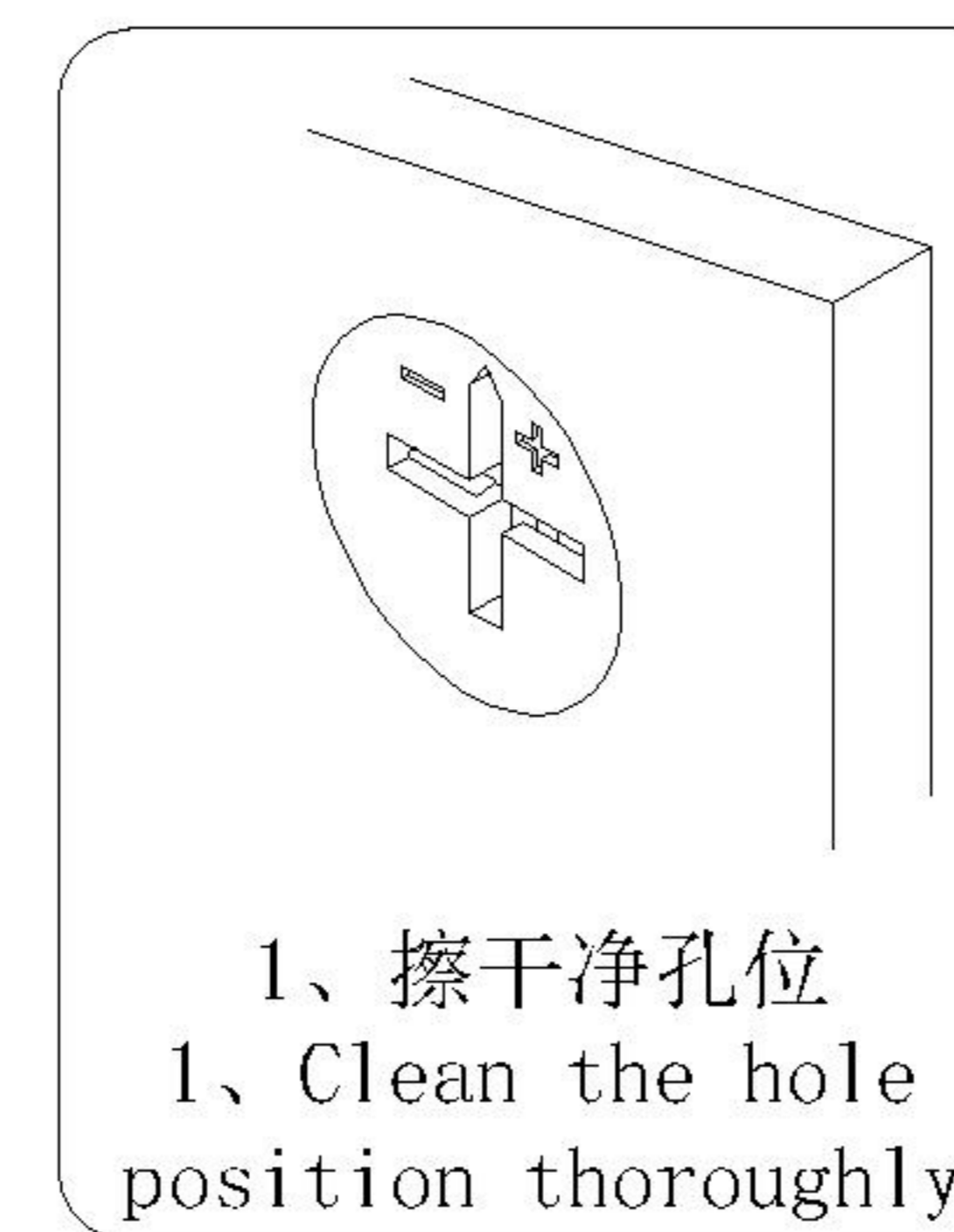
- (N) *42

孔位贴使用小贴士

产品安装完成后请贴上孔贴，多出的孔贴请保管好

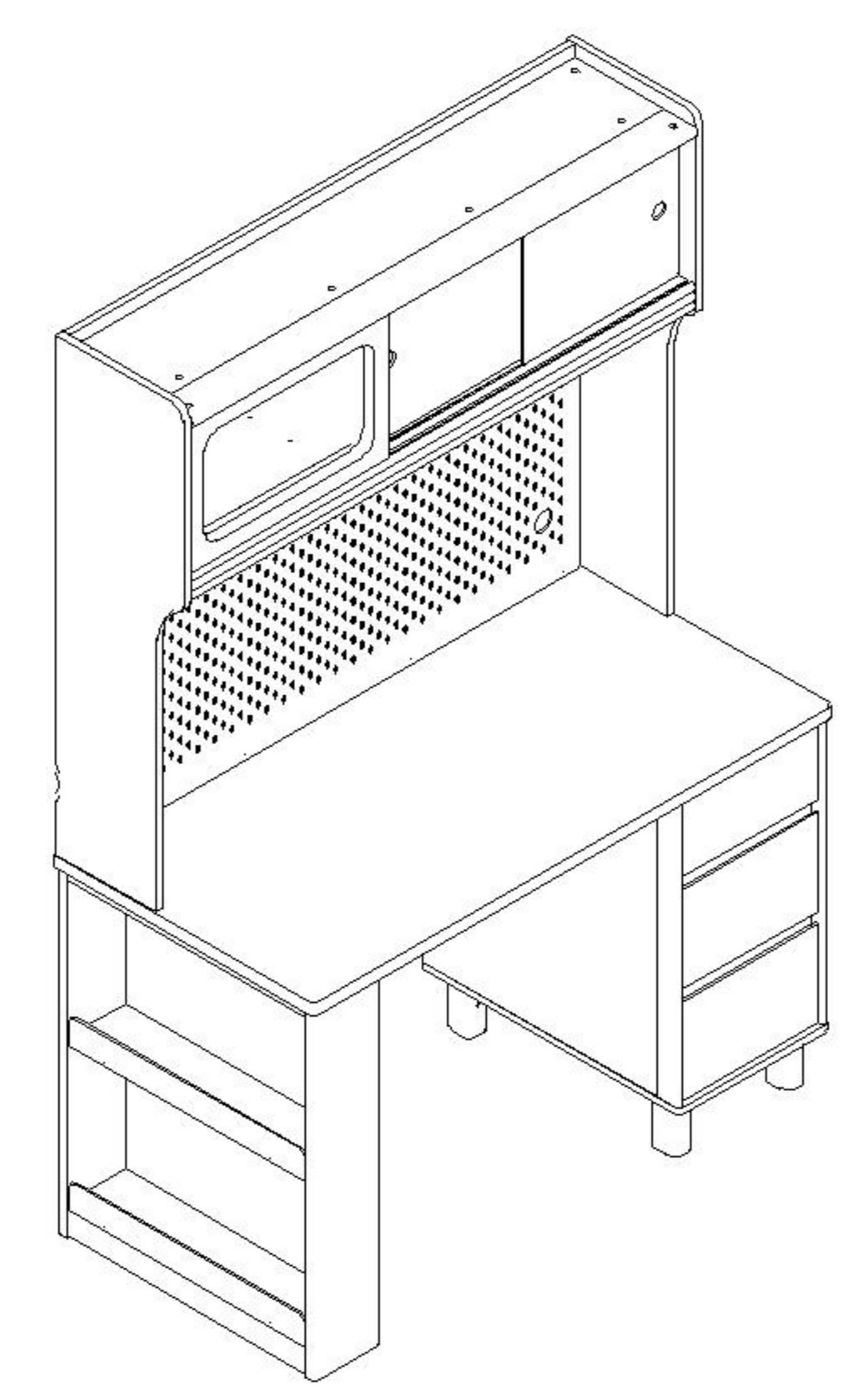
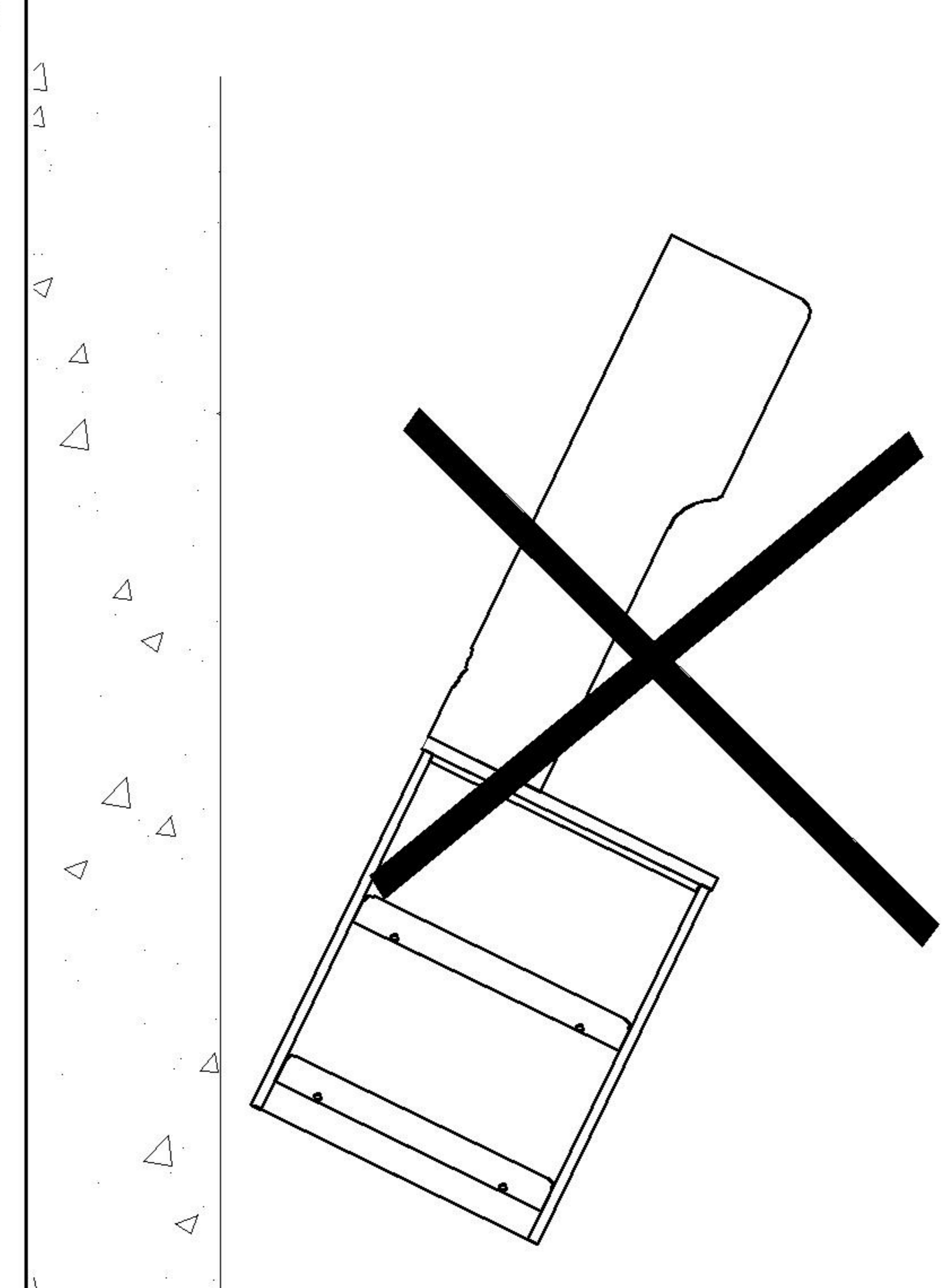
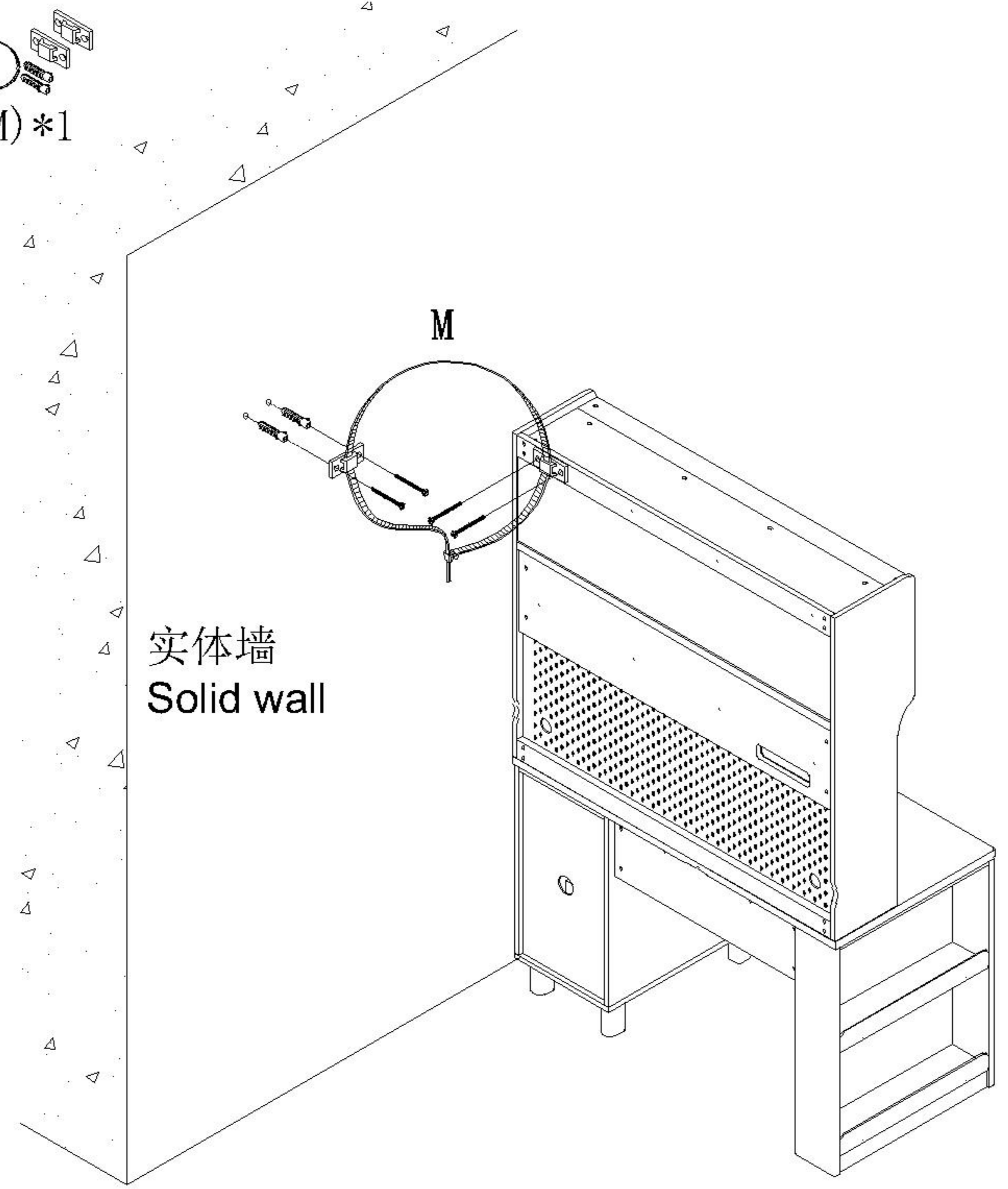
Tips for using hole stickers:

After the product installation is completed, please attach the hole stickers. Please keep any extra hole stickers safe

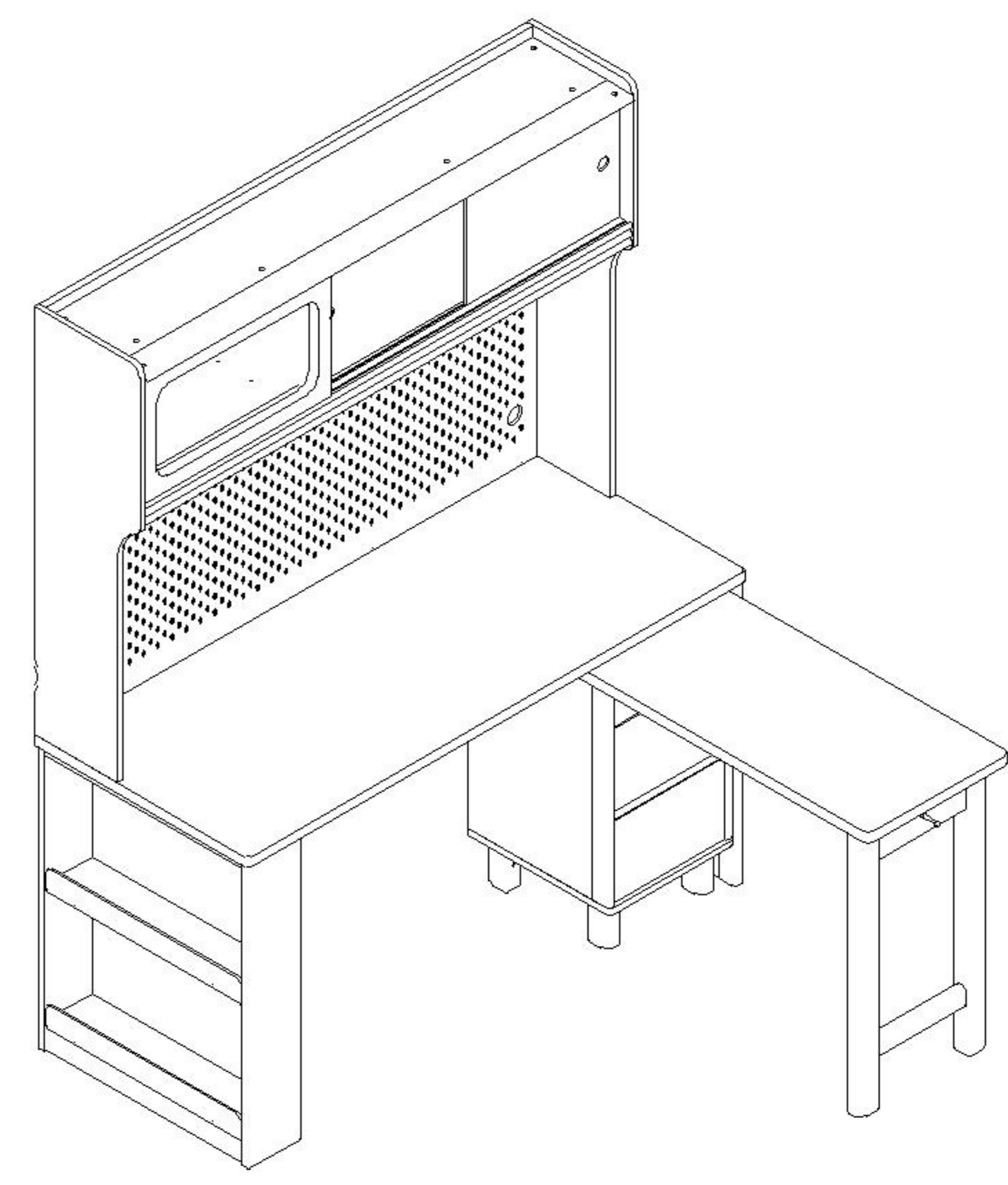


安装方法
Installation method

(M)*1



UY2V-A 常规款1.2米
UY2V-A regular model 1.2 meters
1200*600*1800mm



UY2V-A 转角款1.2米
UY2V-A corner model 1.2 meters
1200*600*1800mm

LINSY 林氏家居

五金表/Hardware list

部件表/Parts List

安装示意图/Assembly Instruction

产品名称 Model NO.

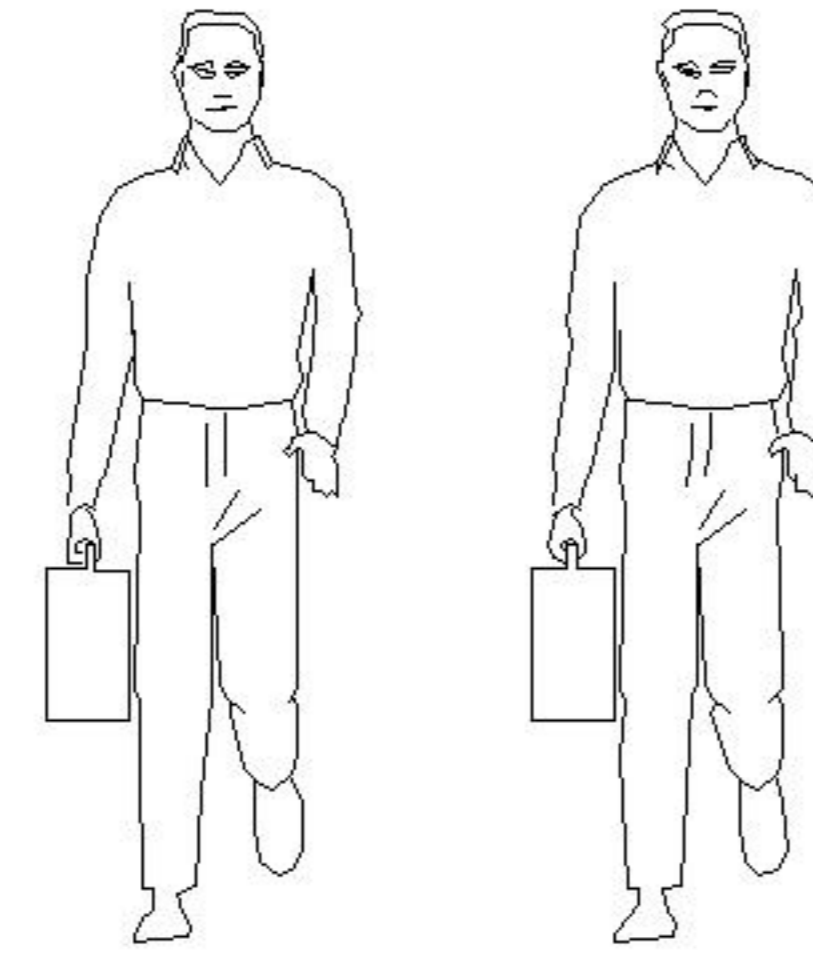
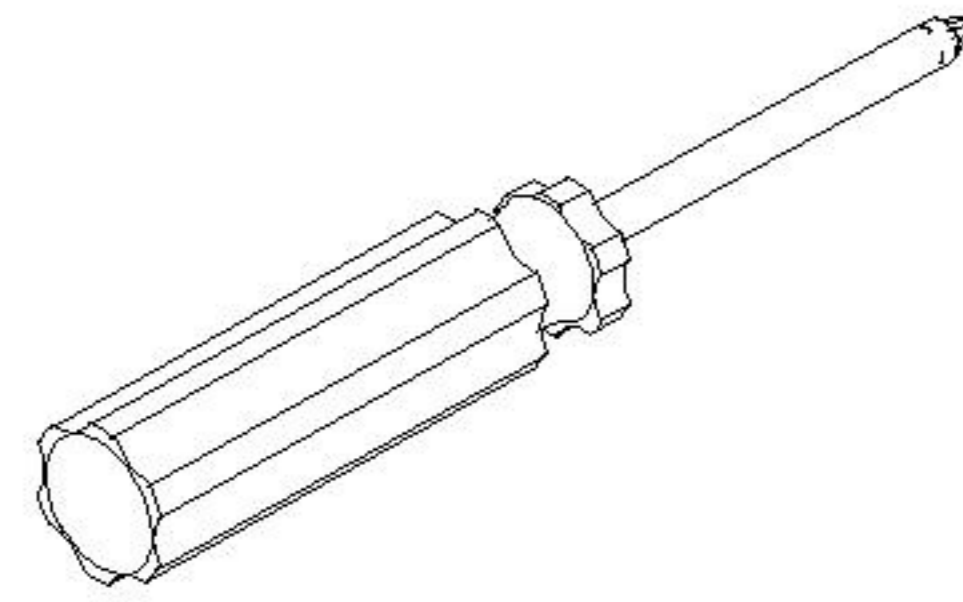
UY2V-A 1.4米下柜

产品规格 Specification

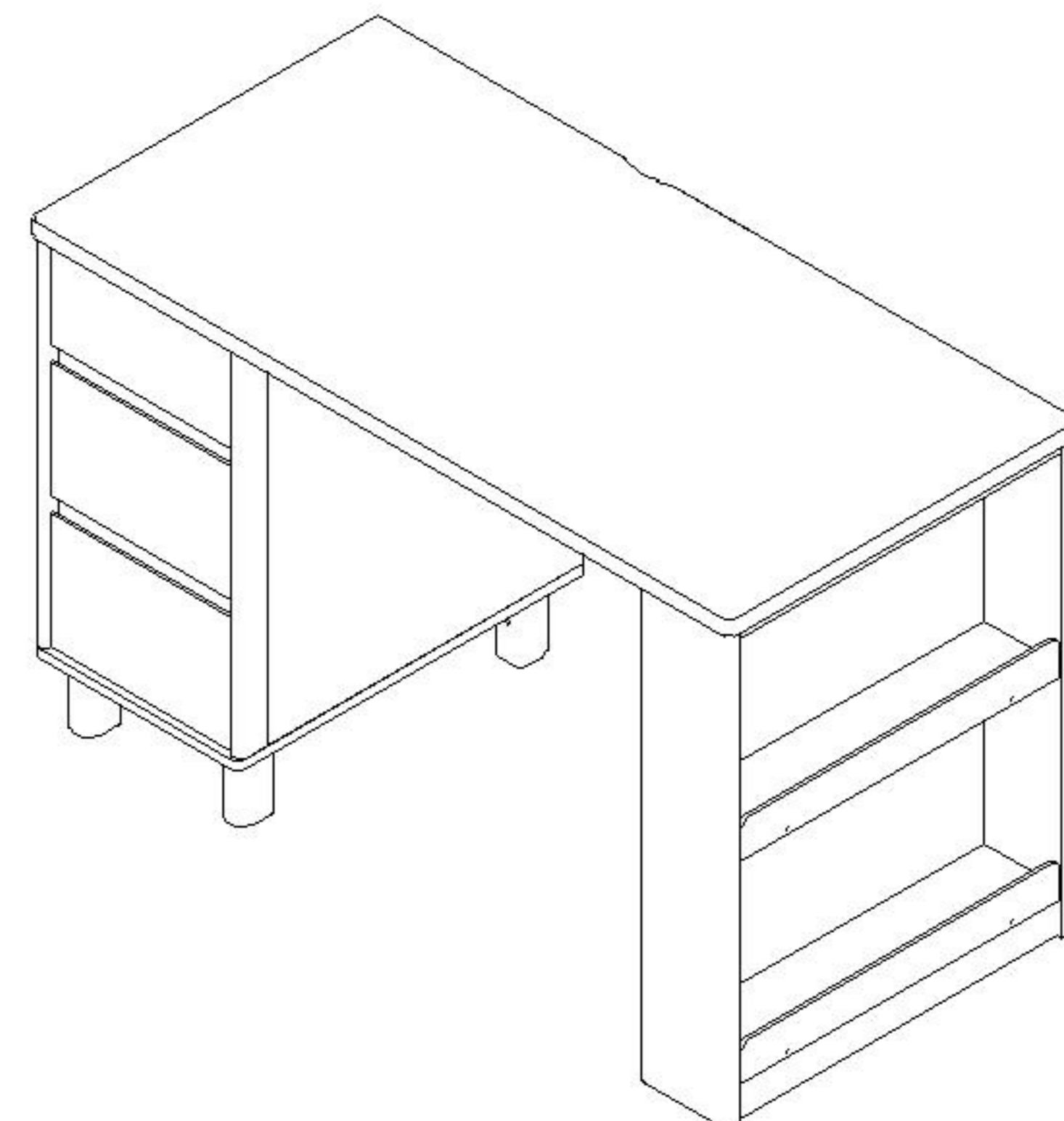
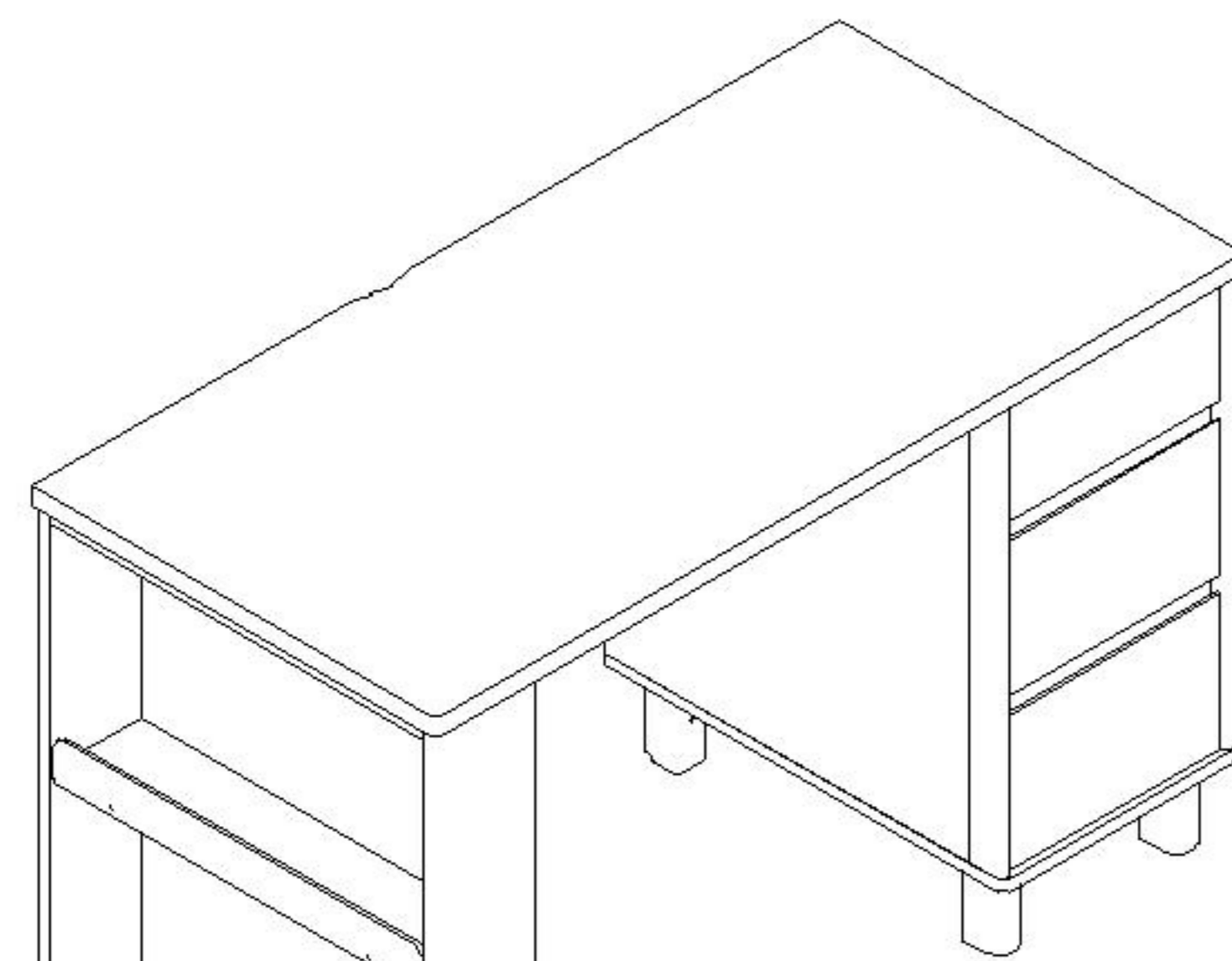
1400*600*763mm

安装工具 Tool

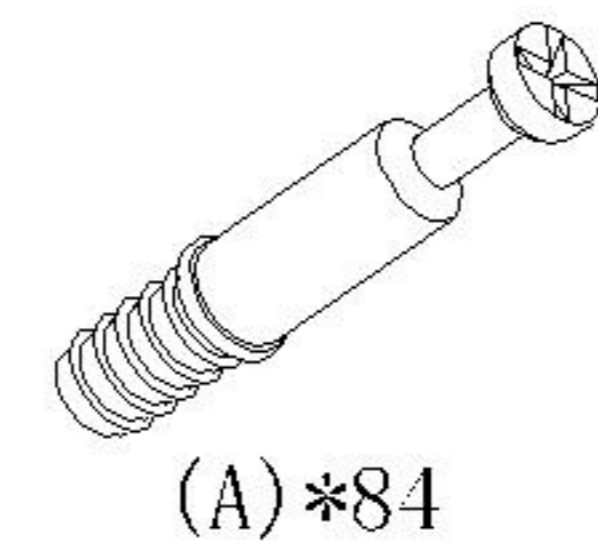
安装人数 Installer



注：为保证设计效果，部分尺寸为定制尺寸，不影响使用。

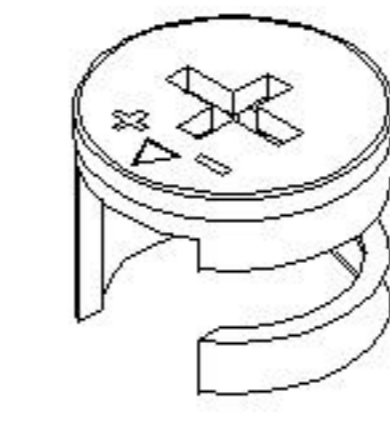


抽屉方向可左右安装
The drawer direction can be installed left and right



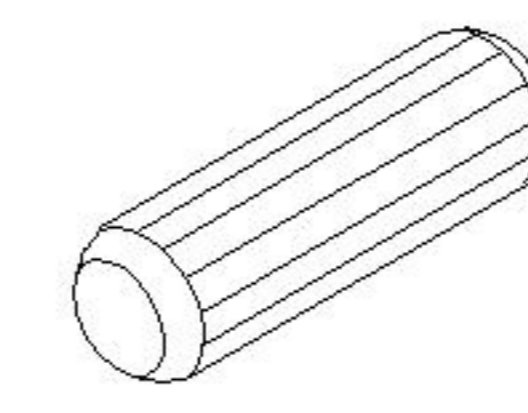
(A)*84

二合一螺杆
2-in-1-screw



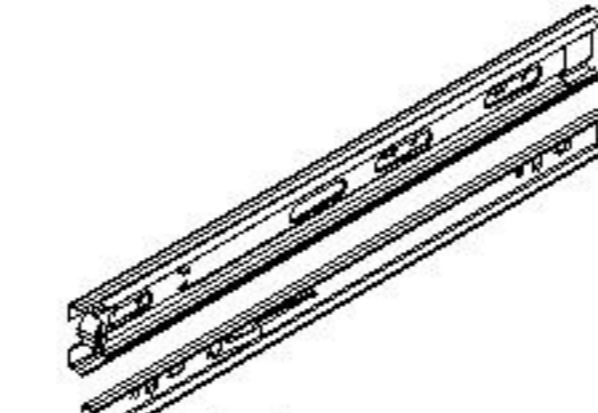
(B)*84

大三合一锁饼
3-in-1 large lock



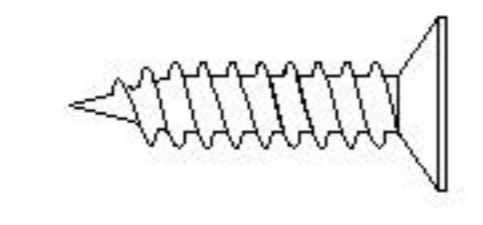
(C)*17

木榫- $\phi 8 \times 30$
Wood tenon



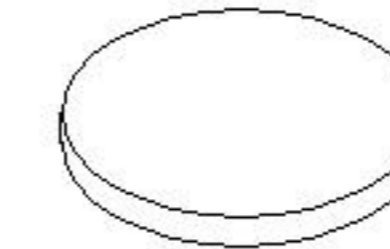
(D)*3

三节滚珠导轨14"
Three-section rail



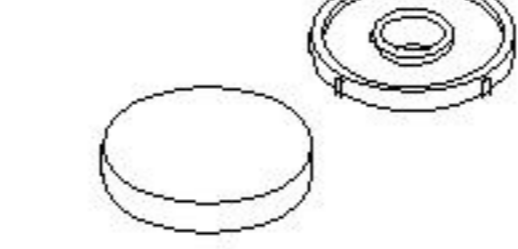
(E)*48

自攻螺丝M3.5*14
Self tapping screw



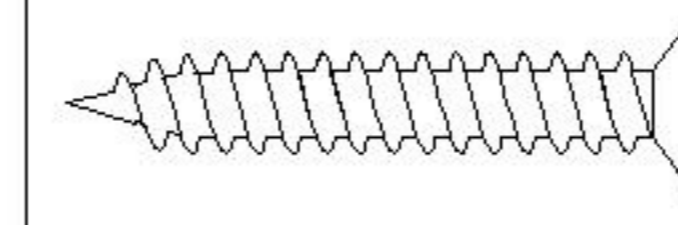
(F)*10

灰色毛毡垫
Foot pad



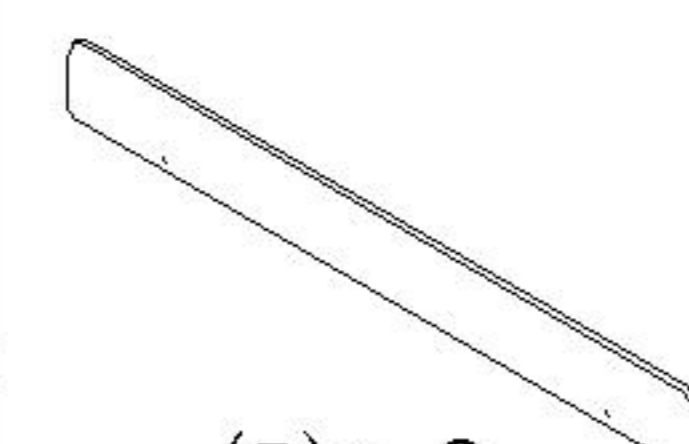
(G)*4

镜钉-(直径13*5mm)
Mirror nail



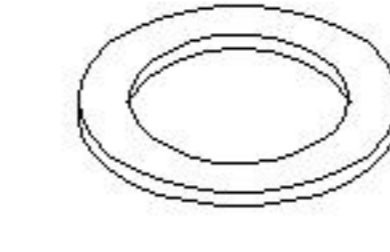
(H)*4

自攻螺丝M4*20
Self tapping screw



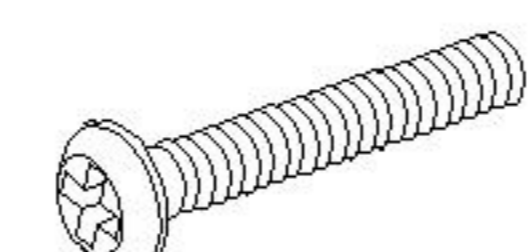
(I)*2

亚克力
acrylic



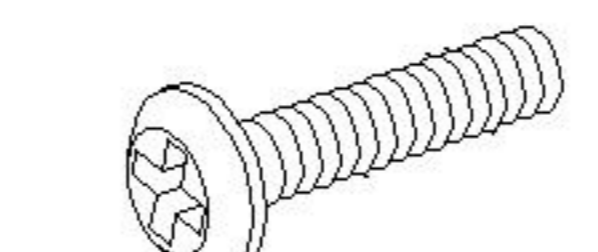
(J)*4

透明塑料垫片
Transparent plastic gasket



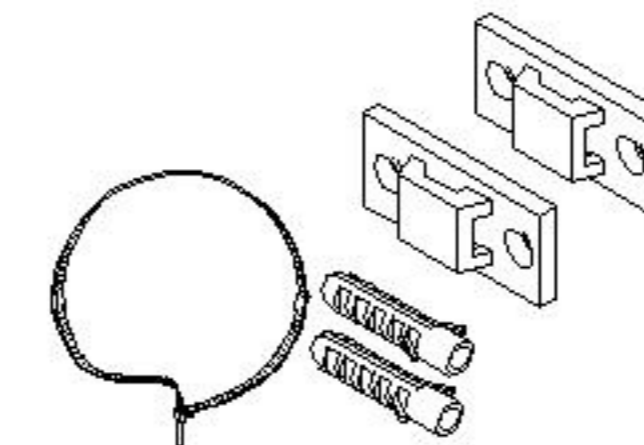
(K)*4

斜边十字螺杆-M8x70mm
Bevel cross screw



(L)*8

斜边十字螺杆-M6x25mm
Bevel cross screw



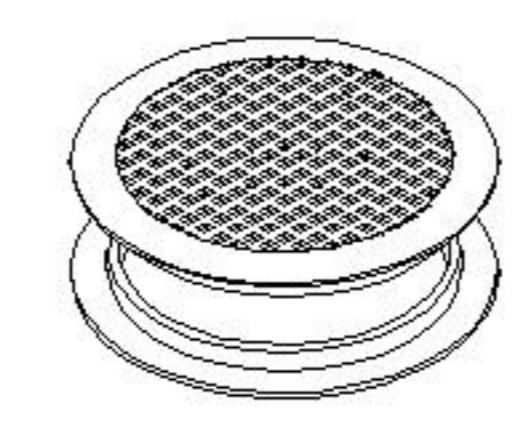
(M)*1

家具防倒器-白色
Anti-fall device



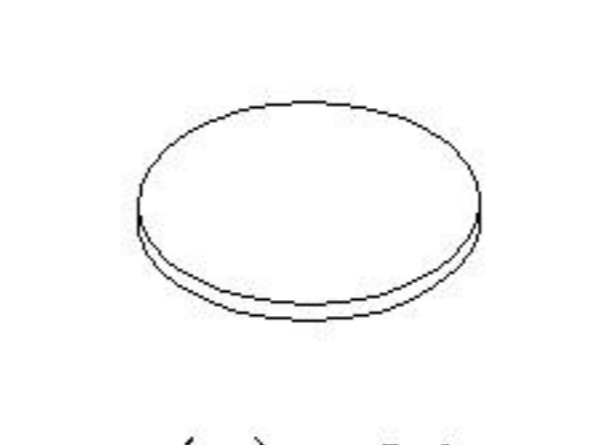
(N)*4

锤母M8*15彩锌
Hammer nut



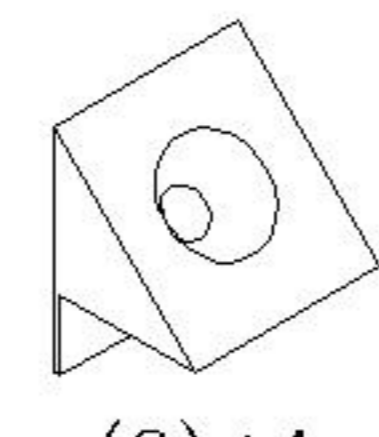
(O)*1

透气孔盖-白色
Breathable cover



(P)*84

PVC孔贴
PVC hole sticker



(Q)*4

背板扣
Back Panel Buckle

编号NO.

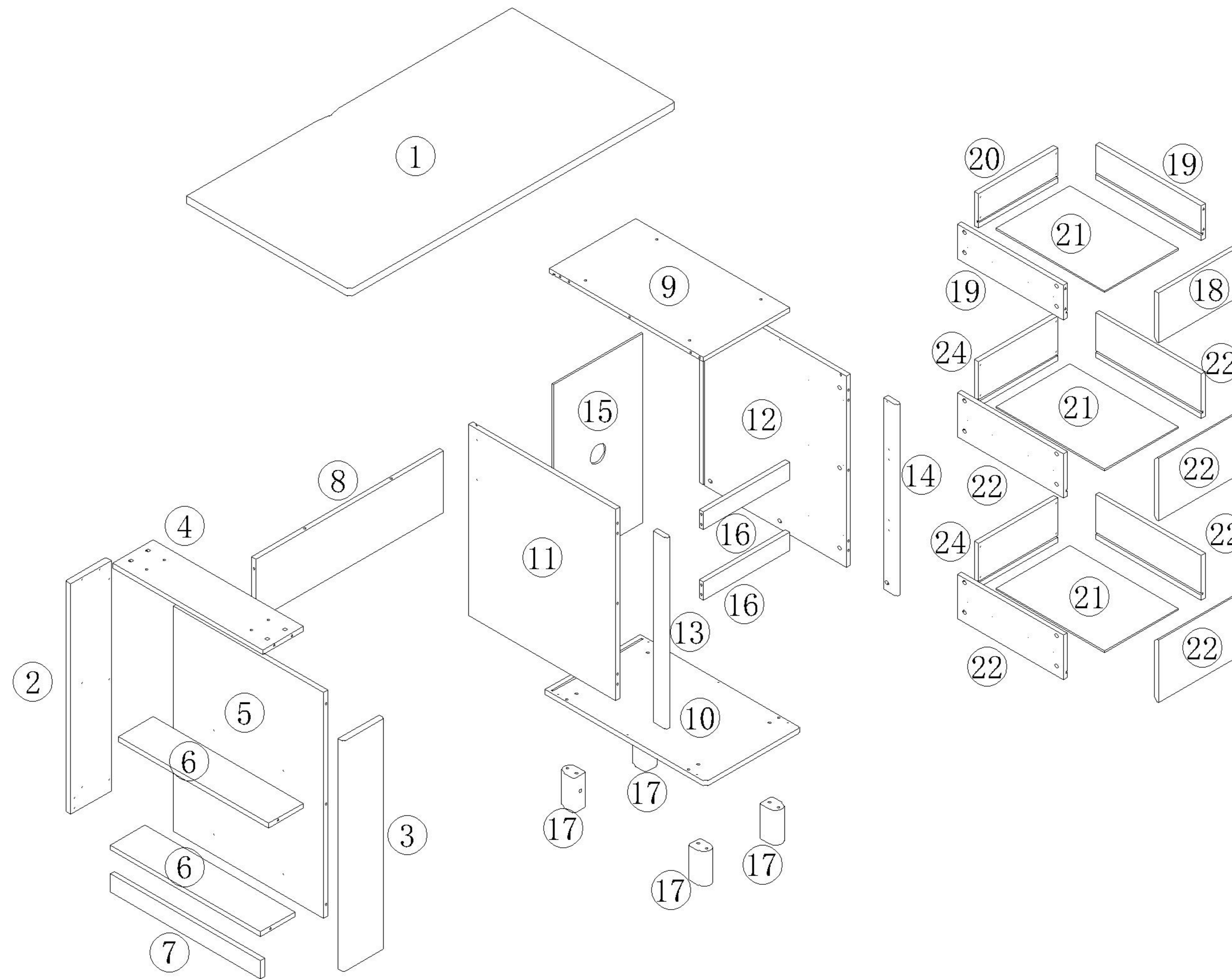
名称Name

规格(mm)
Specification

数量QTY

材质Material

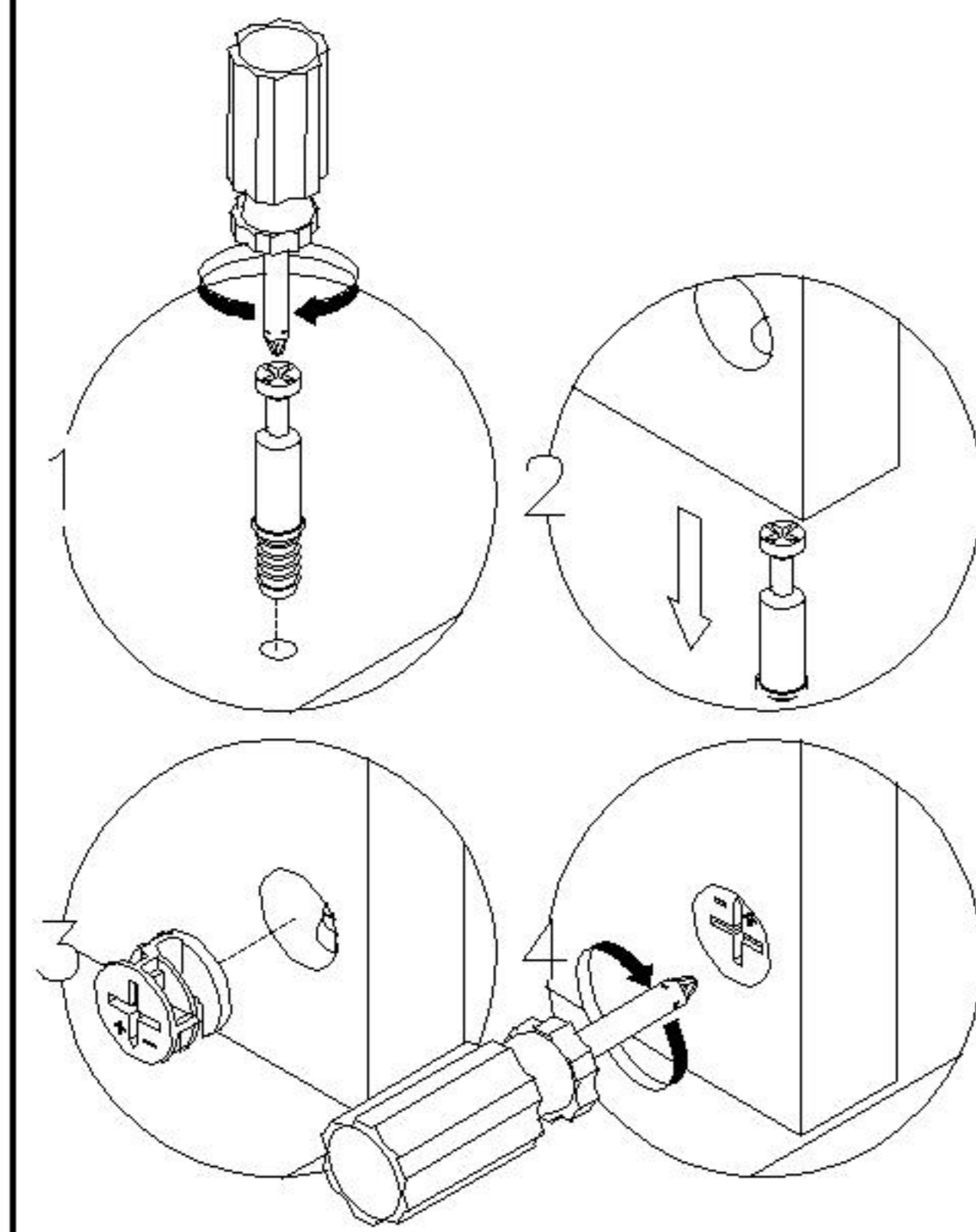
①	面板Top panel	1400*600*25	1	刨花板 Particle board
②	内侧板Inner side panel	735*150*20	1	刨花板 Particle board
③	外侧板Sideboard	735*150*20	1	橡胶木 Rubber wood
④	上层板Upper shelf	553*150*15	1	刨花板 Particle board
⑤	中隔板Middle clapboard	720*553*15	1	刨花板 Particle board
⑥	层板Shelf	553*128*15	2	刨花板 Particle board
⑦	侧脚条Side foot strip	553*58*15	1	刨花板 Particle board
⑧	背板Back board	892*198*15	1	刨花板 Particle board
⑨	附柜面板Attached counter board	318*567*15	1	刨花板 Particle board
⑩	附柜底板Attached bottom board	350*592*15	1	刨花板 Particle board
⑪	附柜左侧板Sideboard of attached cabinet(L)	610*541*15	1	刨花板 Particle board
⑫	附柜右侧板Sideboard of attached cabinet(R)	610*541*15	1	刨花板 Particle board
⑬	左侧柱Side column(L)	610*50*15	1	橡胶木 Rubber wood
⑭	右侧柱Side column(R)	610*50*15	1	橡胶木 Rubber wood
⑮	附柜背板Attached back board	605*328*5	1	纤维板 Fiberboard
⑯	拉条Brace	318*58*15	2	刨花板 Particle board
⑰	脚Foot	110*60*45	4	橡胶木 Rubber wood
⑱	上抽屉面板 Upper drawer's panel	314*158*15	1	刨花板 Particle board
⑲	上抽屉侧板Upper drawer's side board	390*110*15	2	刨花板 Particle board
⑳	上抽屉后板Upper drawer's back board	292*110*15	1	刨花板 Particle board
㉑	上抽屉底板Upper drawer's Bottom board	272*400*5	3	纤维板 Fiberboard
㉒	下抽屉面板Bottom drawer's panel	314*199*15	2	刨花板 Particle board
㉓	下抽屉侧板Lower drawer's side board	390*142*15	4	刨花板 Particle board
㉔	下抽屉后板Down drawer's back board	292*142*15	2	刨花板 Particle board



编号NO.	名称Name
①	面板Top panel
②	内侧板Inner side panel
③	外侧板Sideboard
④	上层板Upper shelf
⑤	中隔板Middle clapboard
⑥	层板Shelf
⑦	侧脚条Side foot strip
⑧	背板Back board
⑨	附柜面板Attached counter board
⑩	附柜底板Attached bottom board
⑪	附柜左侧板Sideboard of attached cabinet (L)
⑫	附柜右侧板Sideboard of attached cabinet (R)
⑬	左侧柱Side column (L)
⑭	右侧柱Side column (R)
⑮	附柜背板Attached back board
⑯	拉条Brace
⑰	脚Foot
⑱	上抽屉面板Upper drawer's panel
⑲	上抽屉侧板Upper drawer's side board
⑳	上抽屉后板Upper drawer's back board
㉑	上抽屉底板Upper drawer's Bottom board
㉒	下抽屉面板Bottom drawer's panel
㉓	下抽屉侧板Lower drawer's side board
㉔	下抽屉后板Down drawer's back board

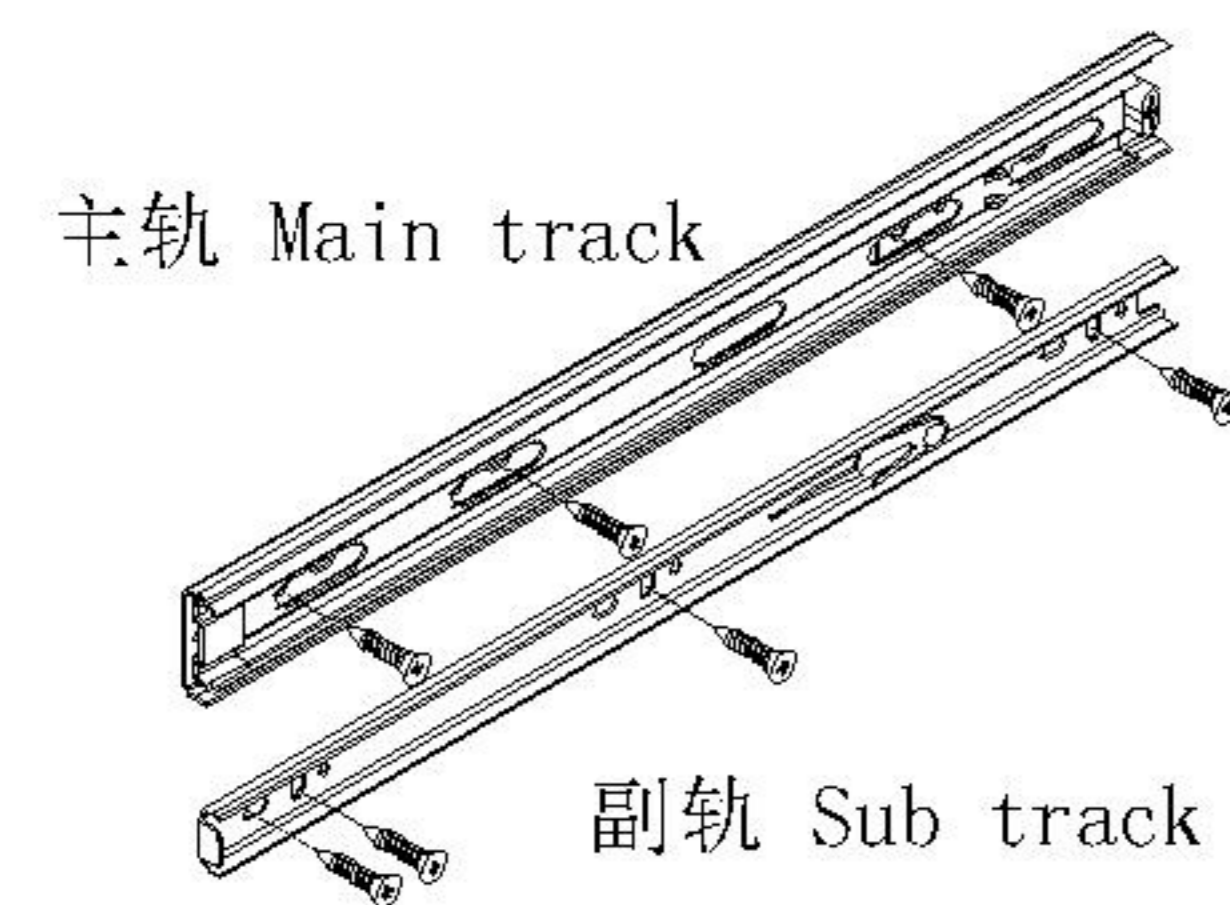
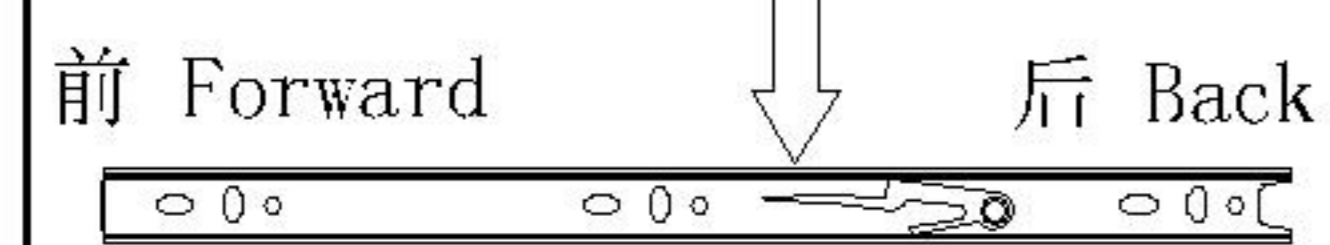
安装方法

Installation method



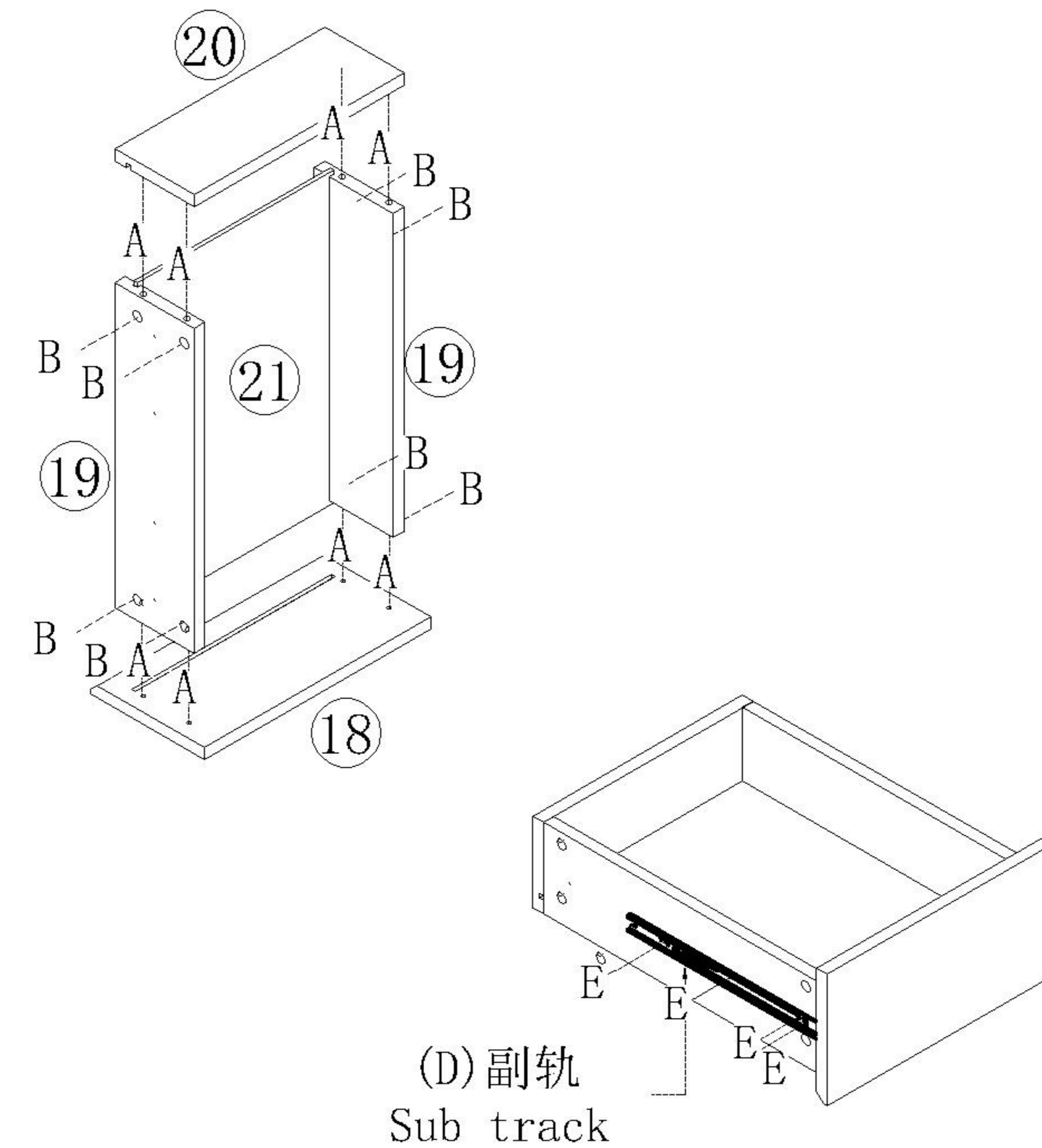
二合一 two-in-one

阀门开关(下压为开)
Valve switch (press down to open)



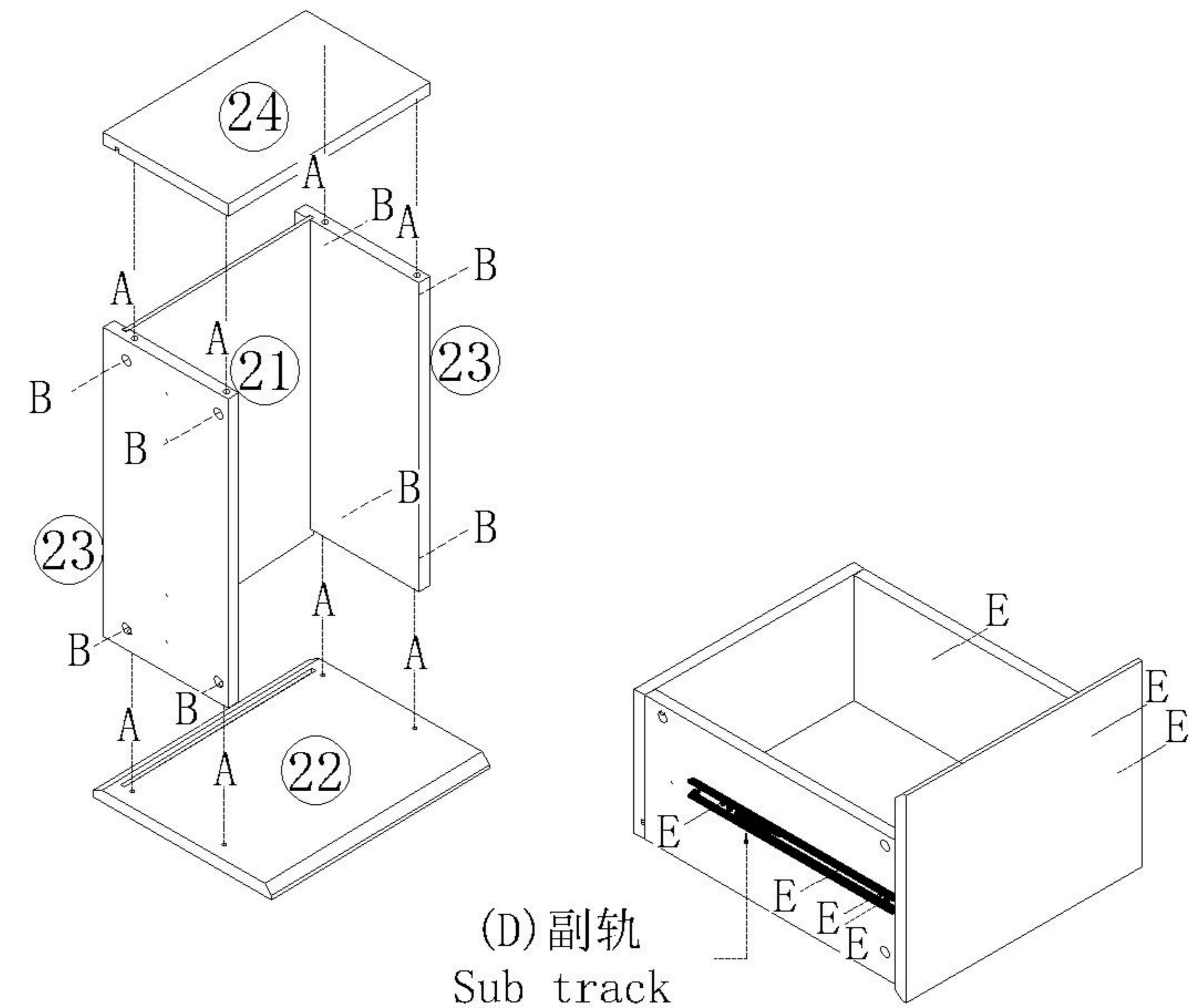
三节滚珠导轨-14"
Three-section rail

- (A) *8
- (B) *8
- (D) *1
- (E) *8



1

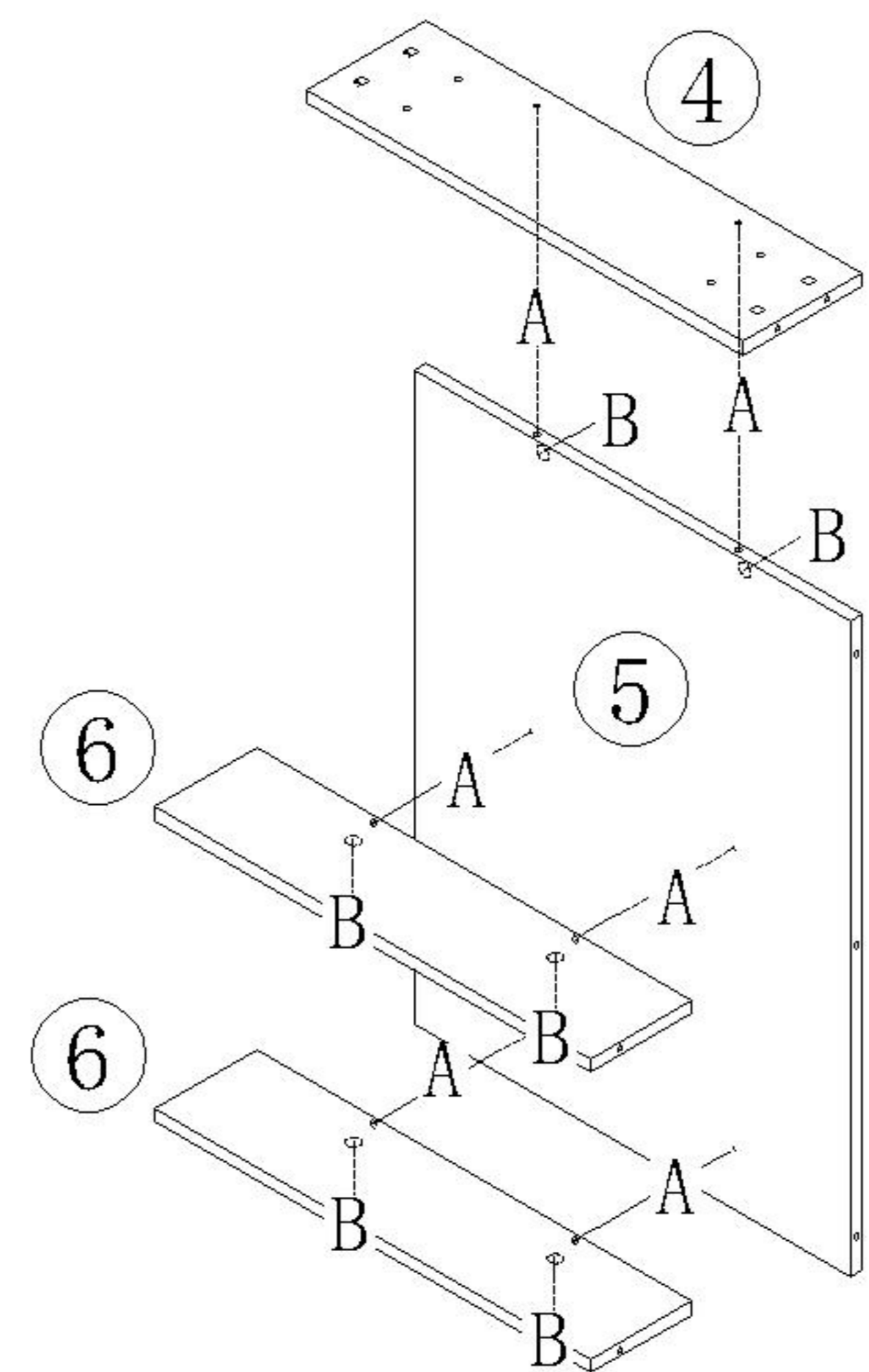
- (A) *16
- (B) *16
- (D) *2
- (E) *16



2

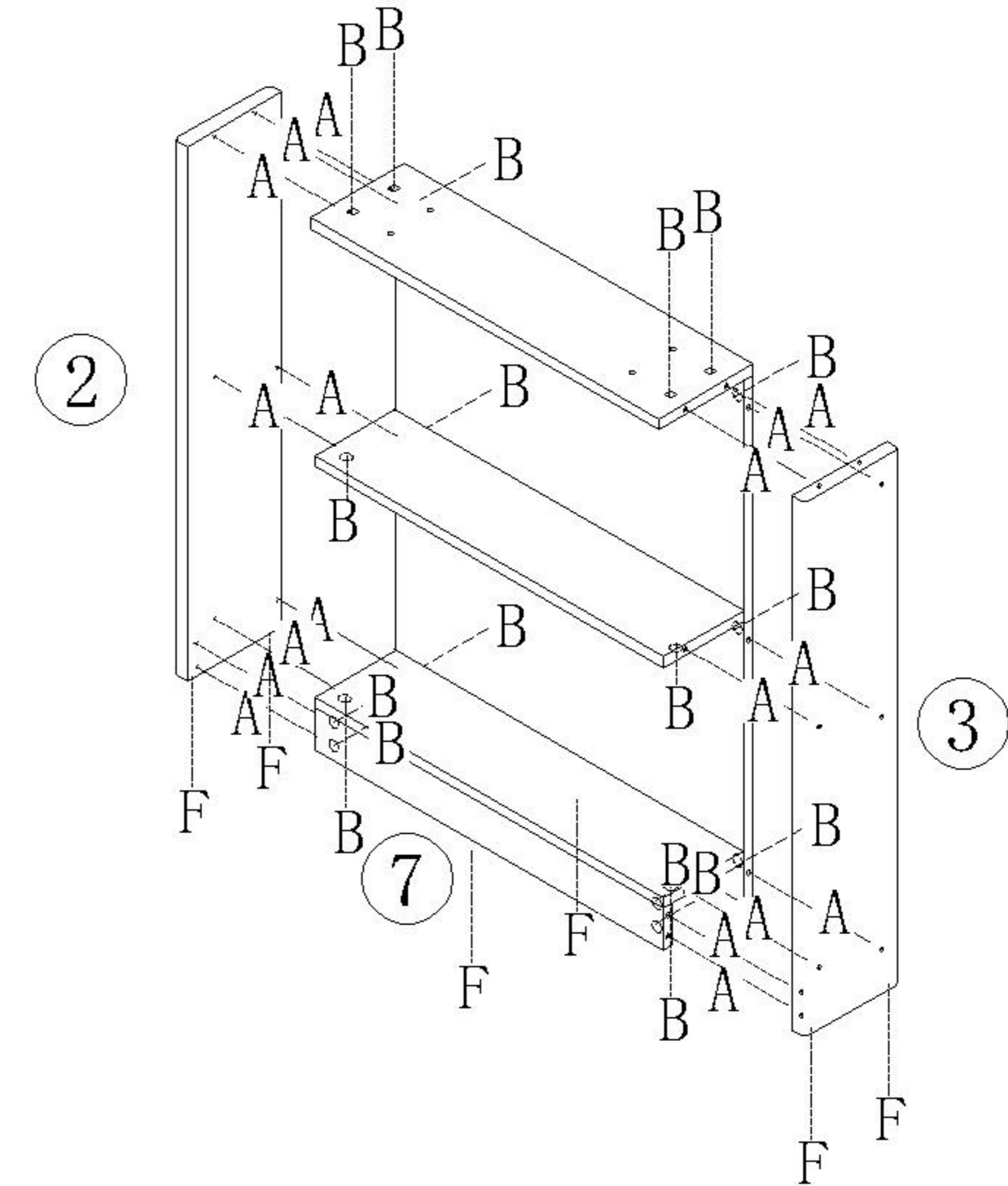
X2

- (A) *6
- (B) *6



3

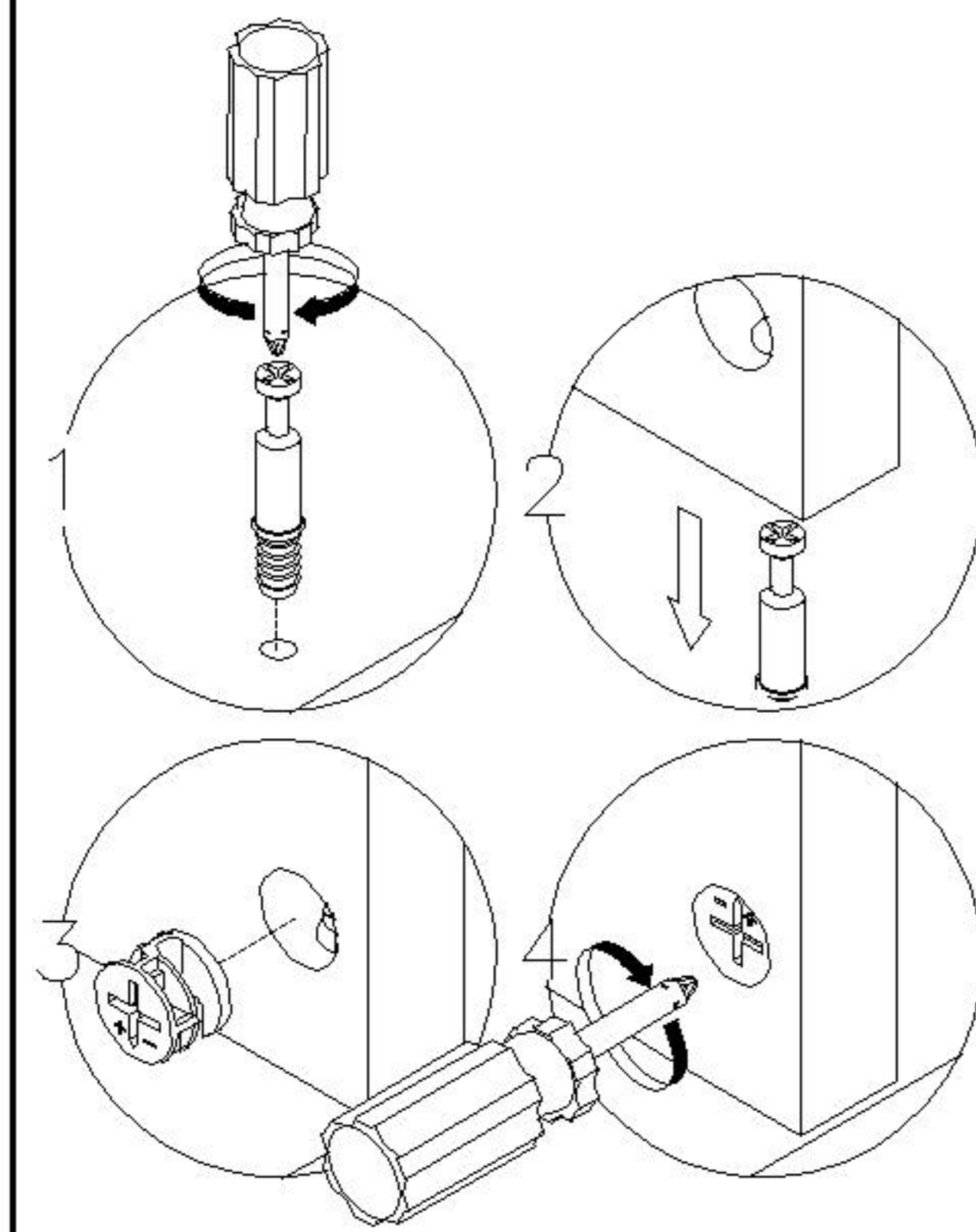
- (A) *18
- (B) *18
- (F) *6



4

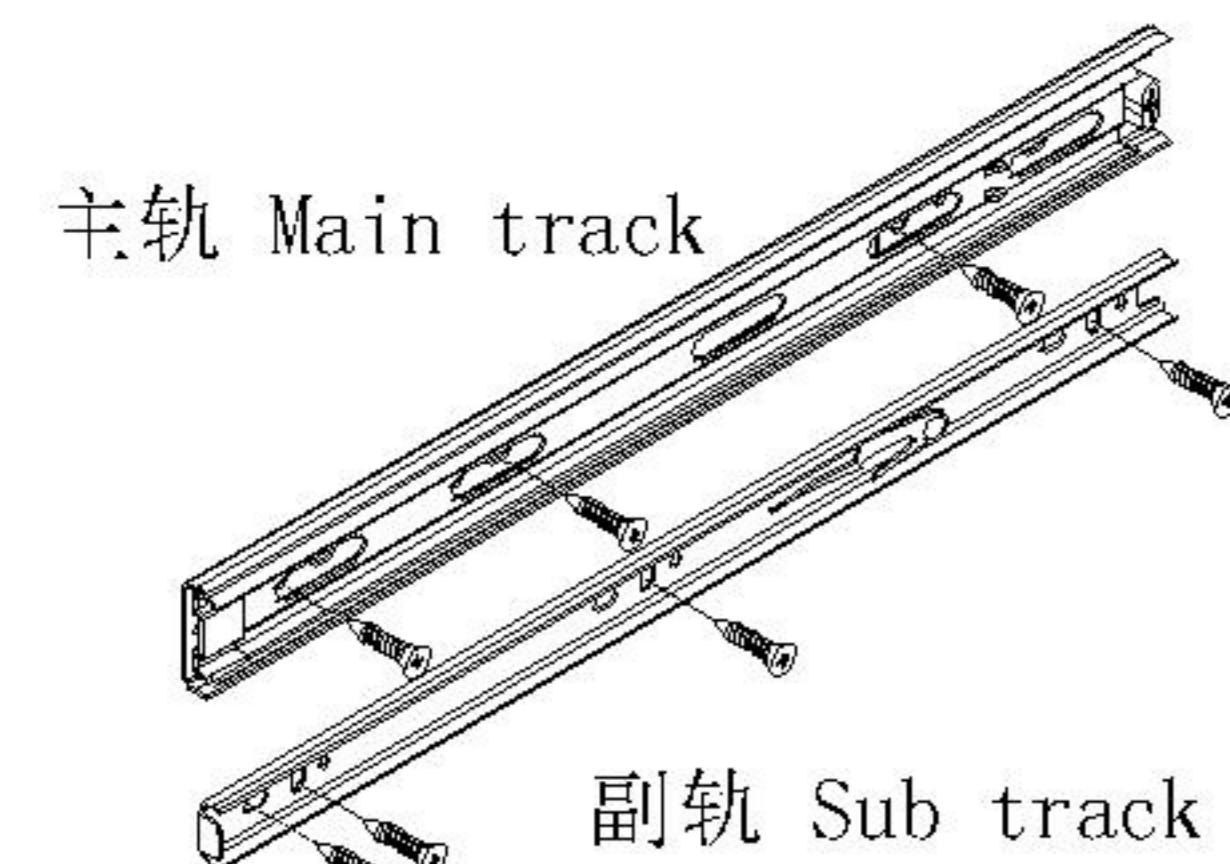
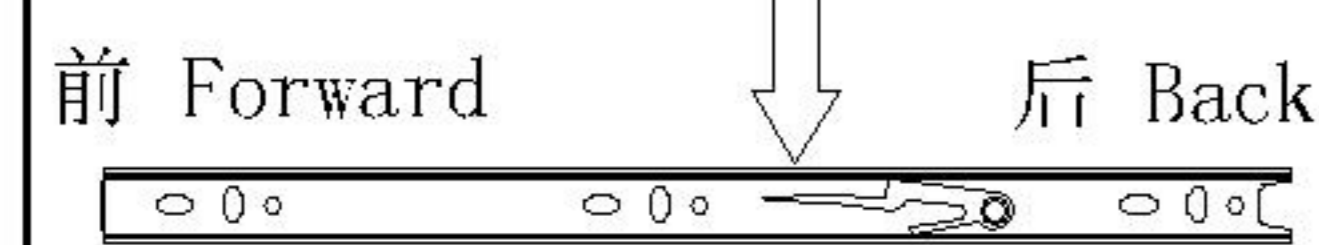
安装方法

Installation method



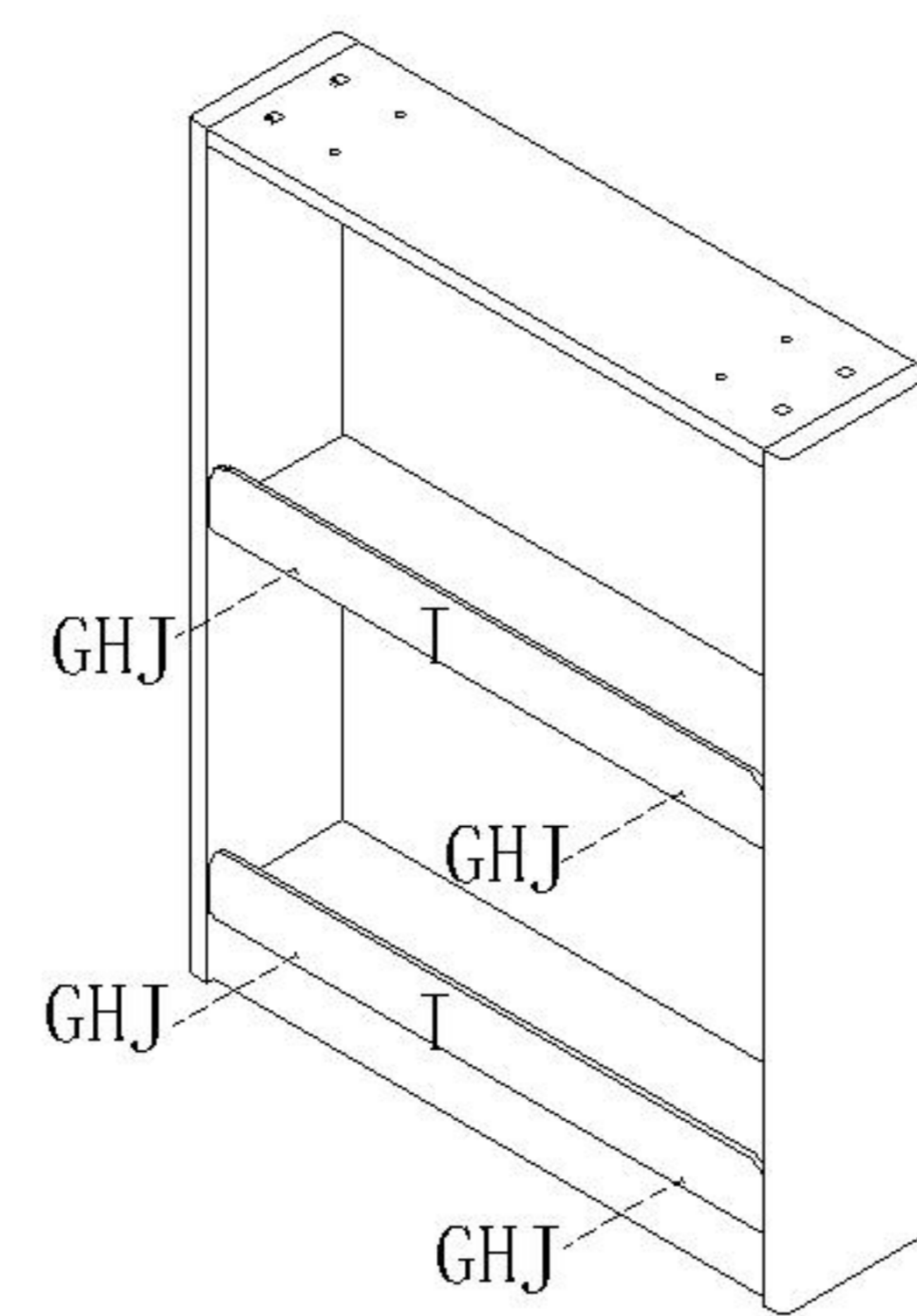
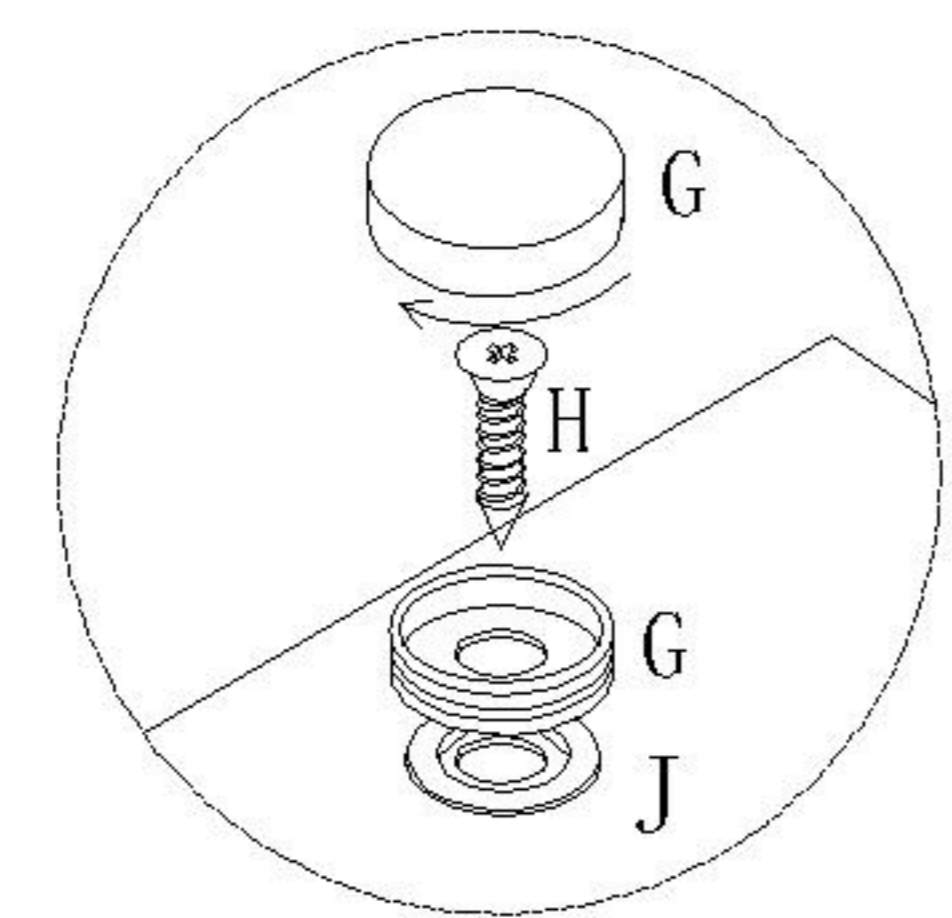
二合一 two-in-one

阀门开关(下压为开)
Valve switch (press down to open)



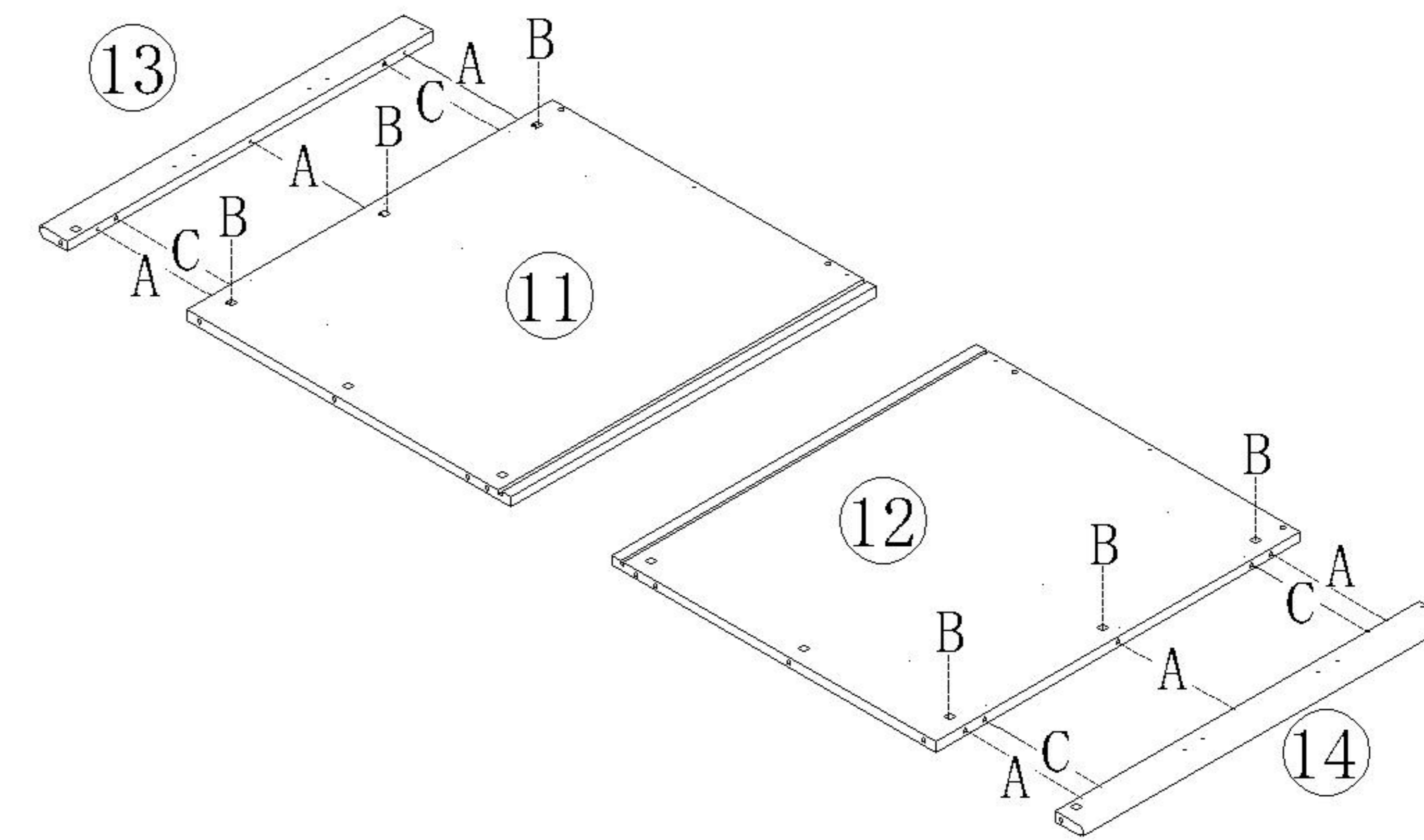
三节滚珠导轨-14"
Three-section rail

- (G)*4
- (H)*4
- (I)*2
- (J)*4



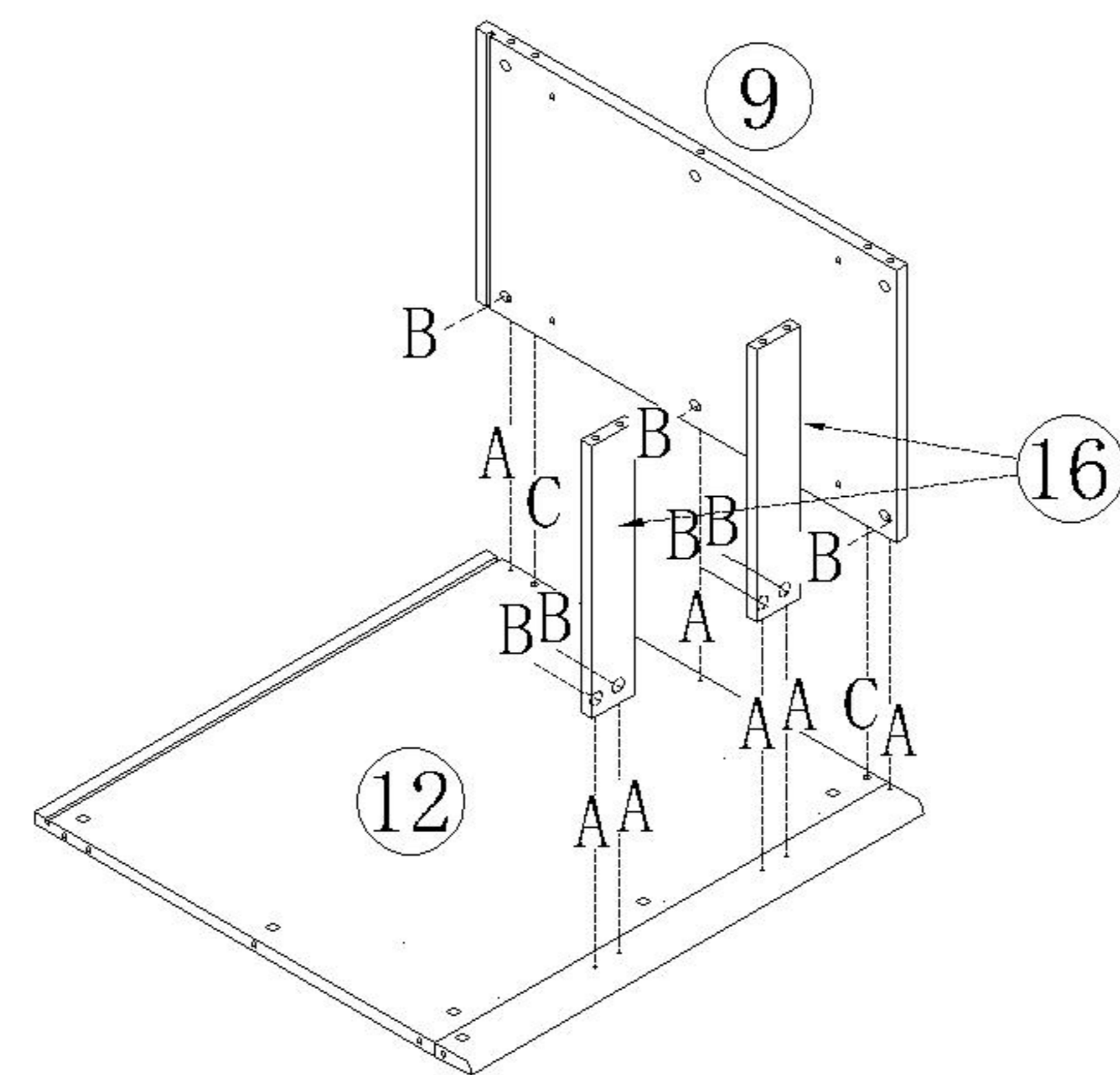
5

- (A)*6
- (B)*6
- (C)*4



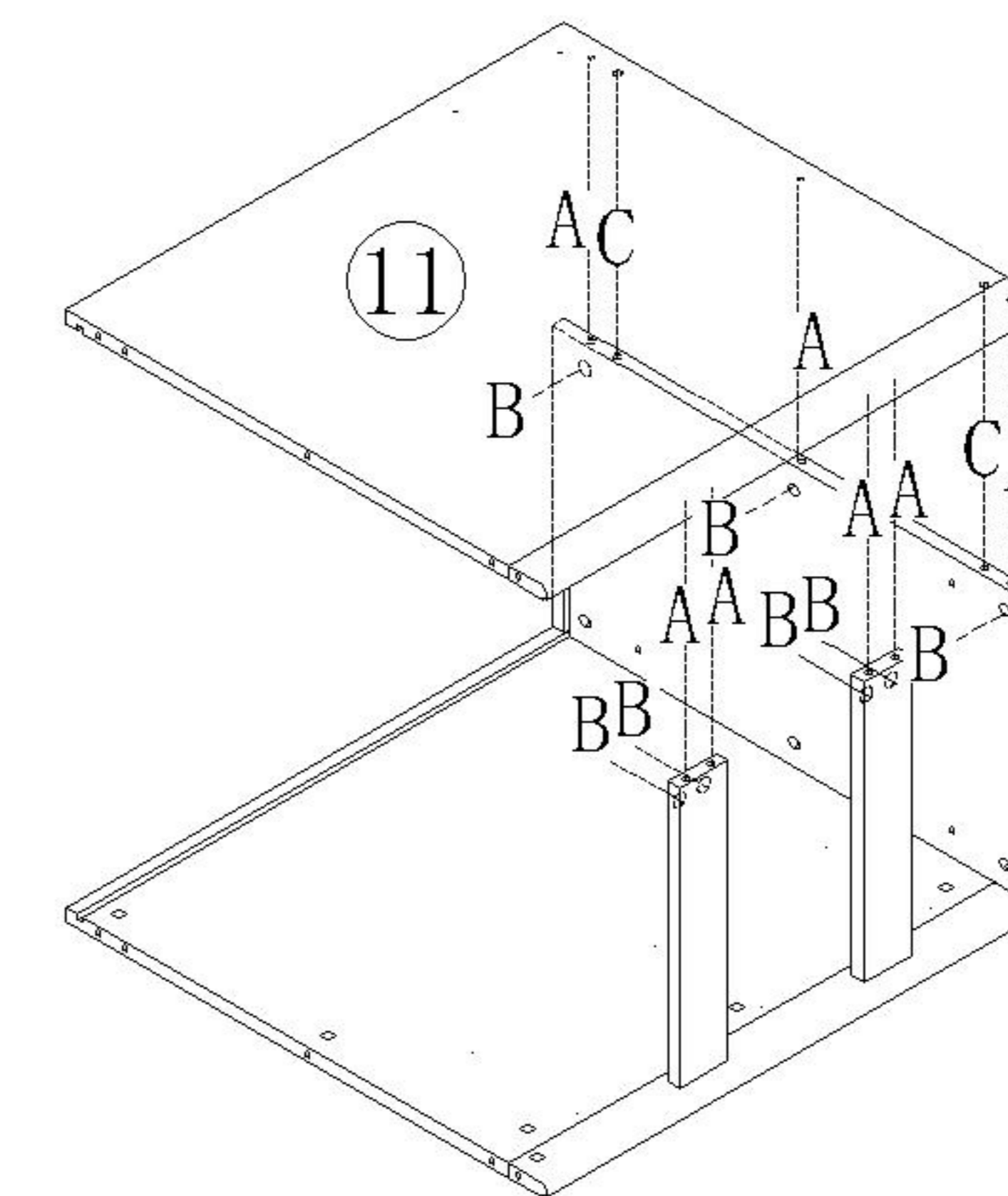
6

- (A)*7
- (B)*7
- (C)*2



7

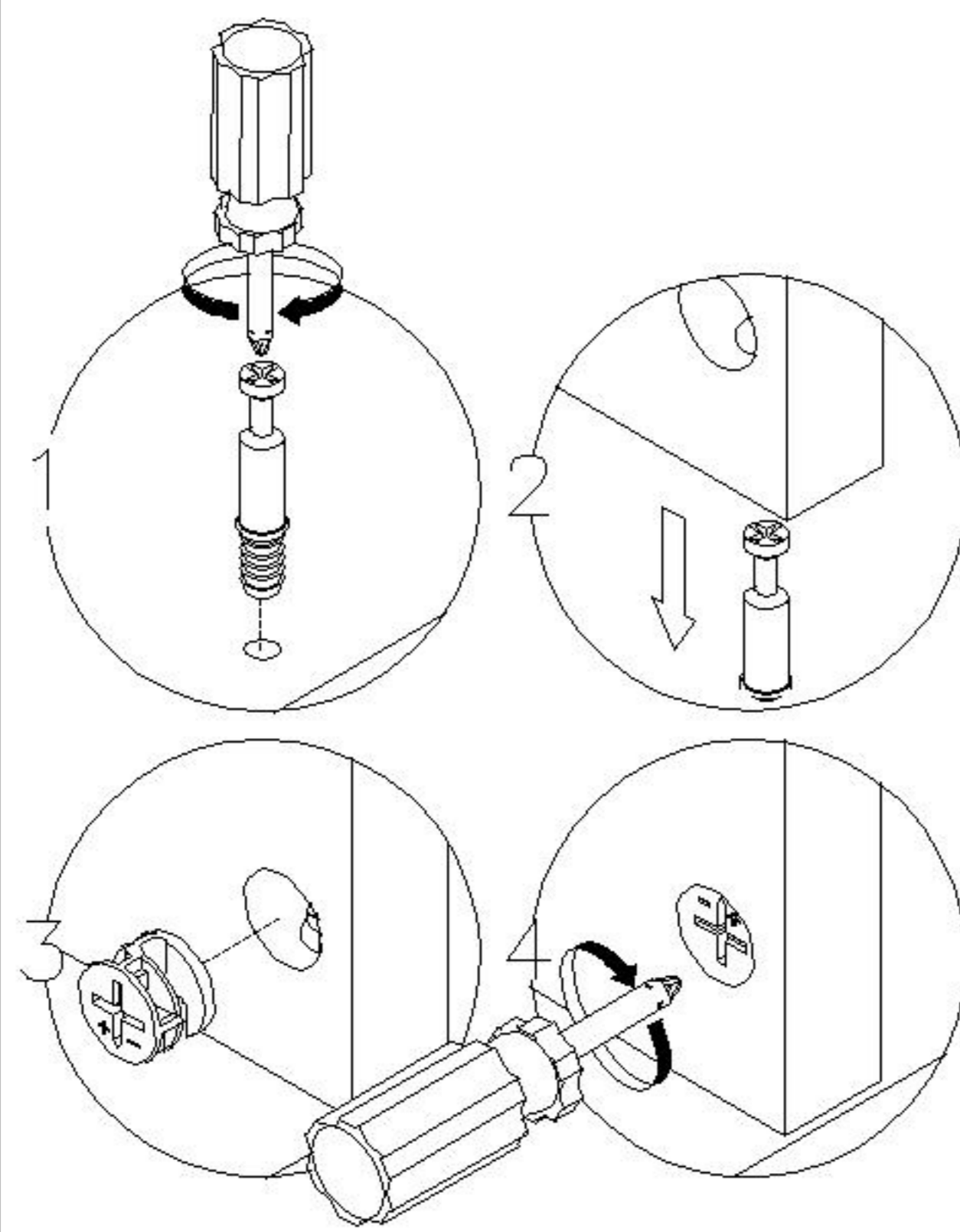
- (A)*7
- (B)*7
- (C)*2



8

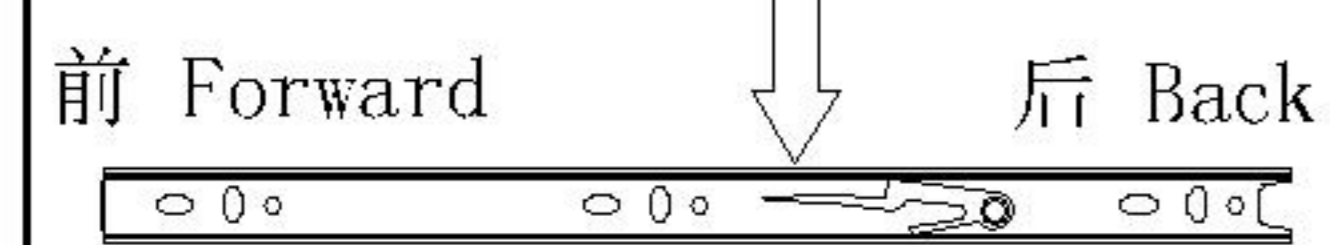
安装方法

Installation method

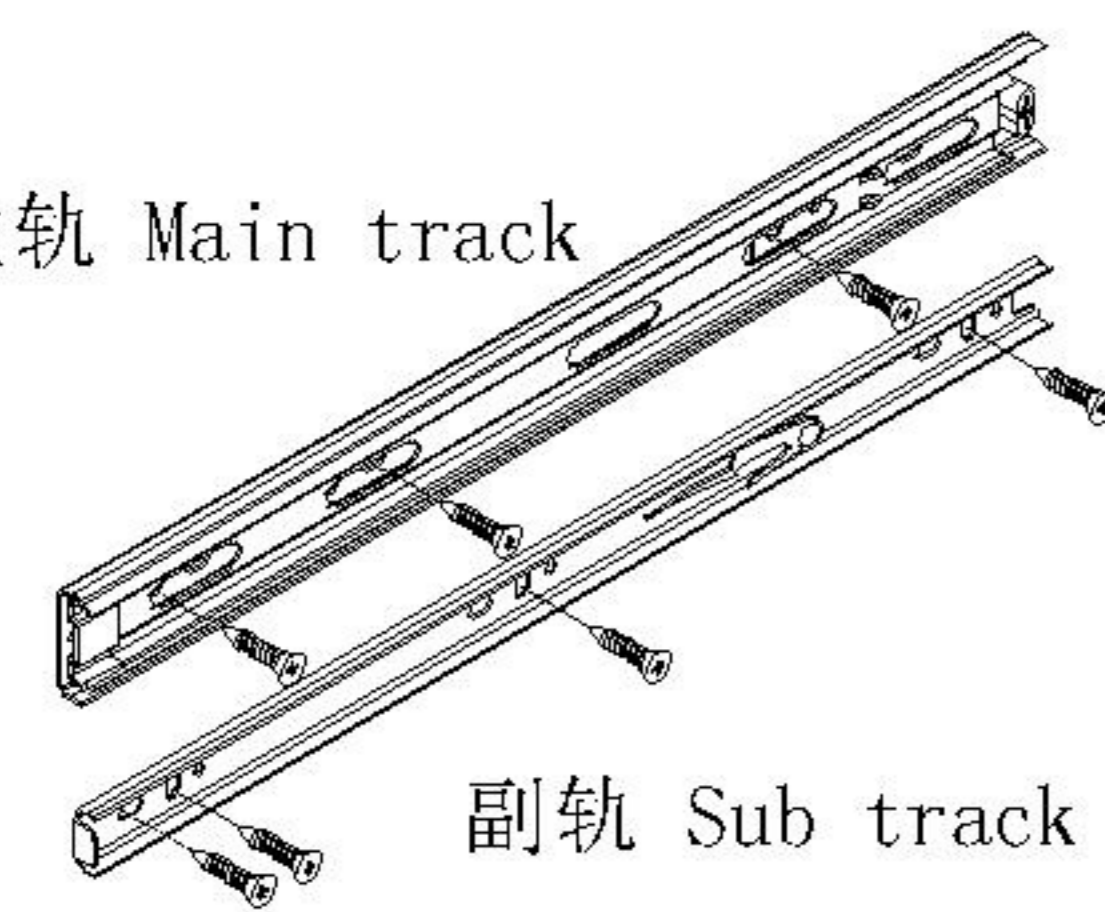


二合一 two-in-one

阀门开关(下压为开)
Valve switch (press down to open)



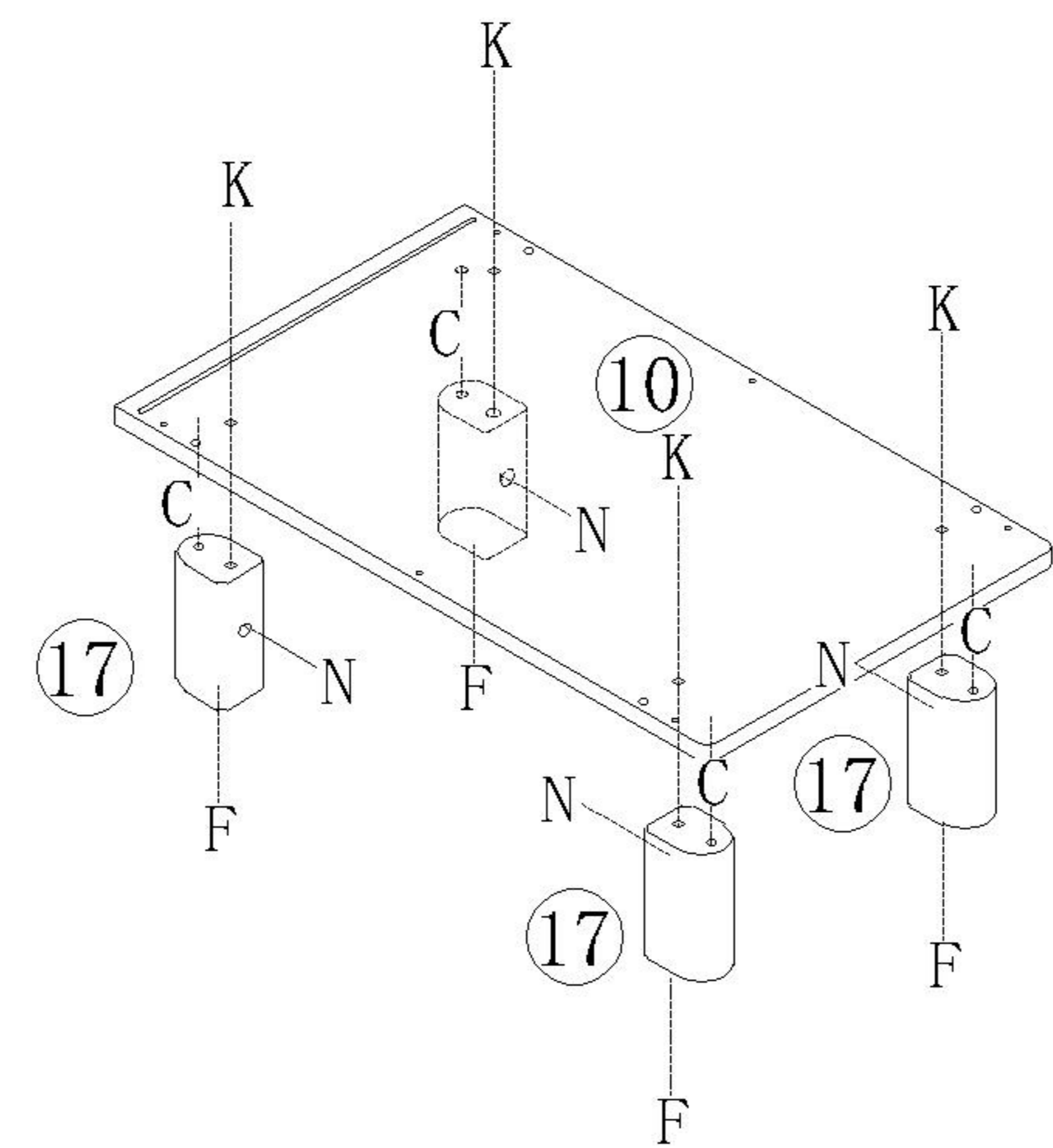
主轨 Main track



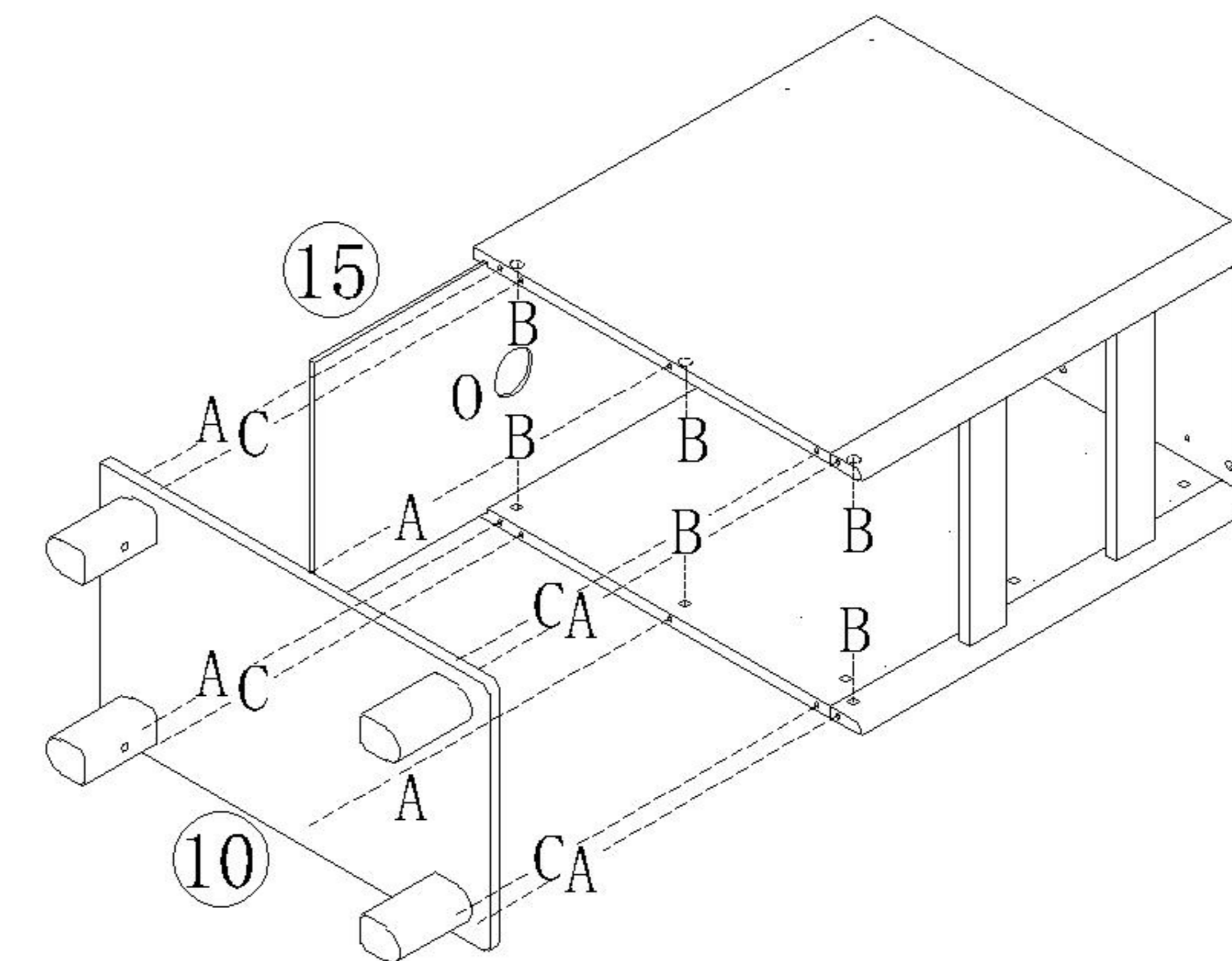
副轨 Sub track

三节滚珠导轨-14"
Three-section rail

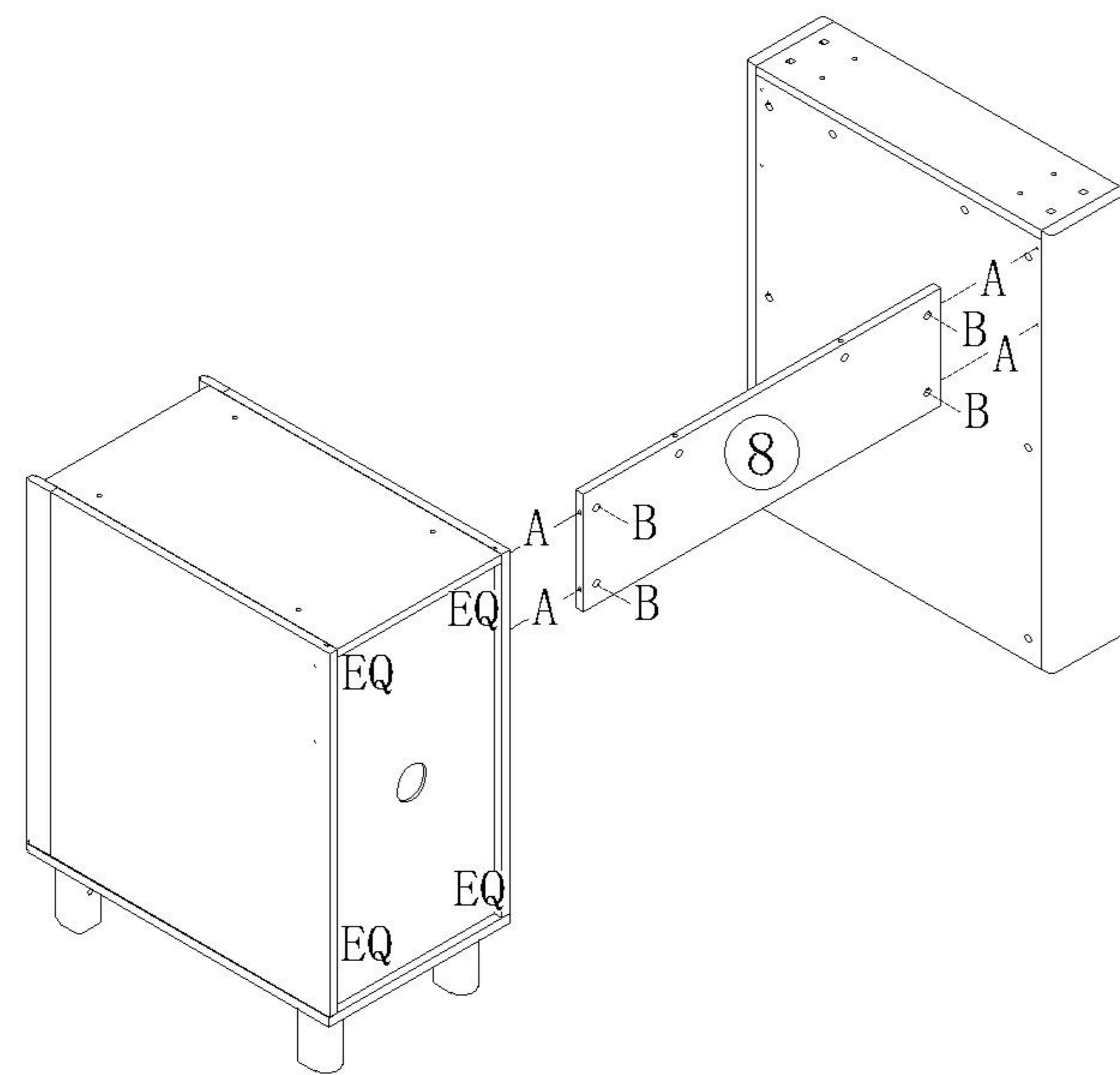
- (F)*4
- (C)*4
- (K)*4
- (N)*4



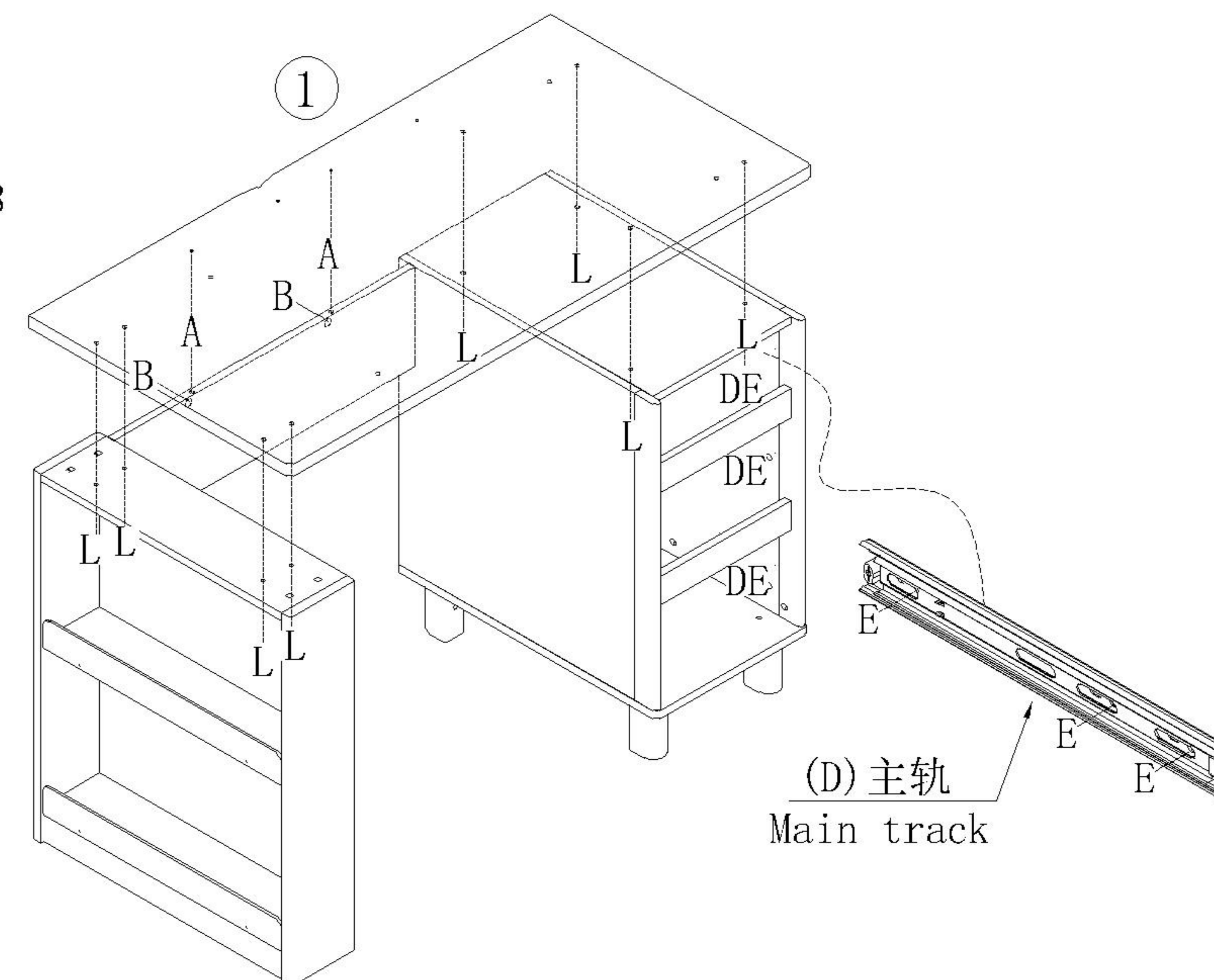
- 9
- (A)*6
- (B)*6
- (C)*4
- (O)*1



- (A)*4
- (B)*4
- (E)*4
- (Q)*4

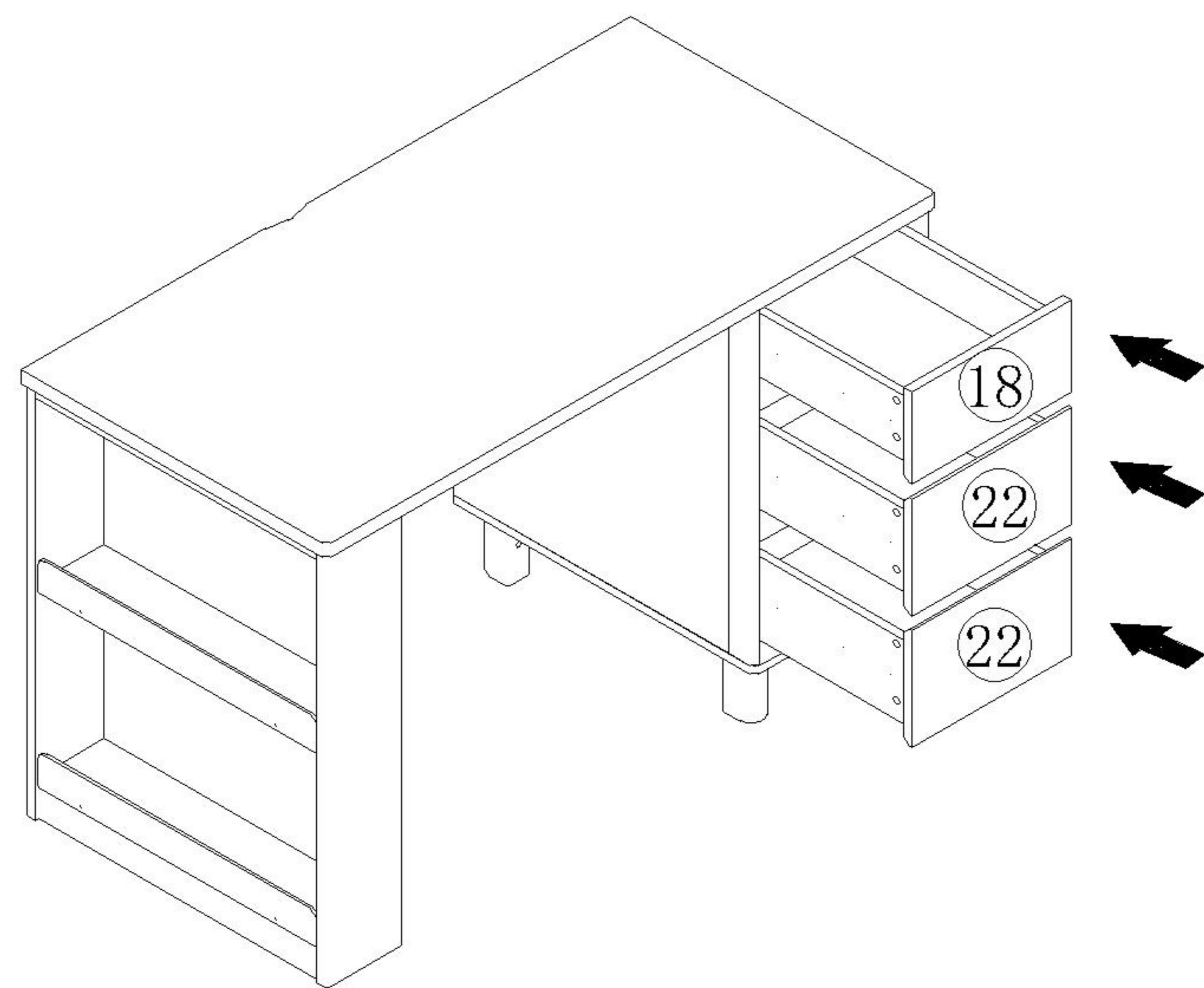


- 11
- (D)*3
- (E)*18
- (A)*2
- (B)*2
- (L)*8



安装方法

Installation method



13

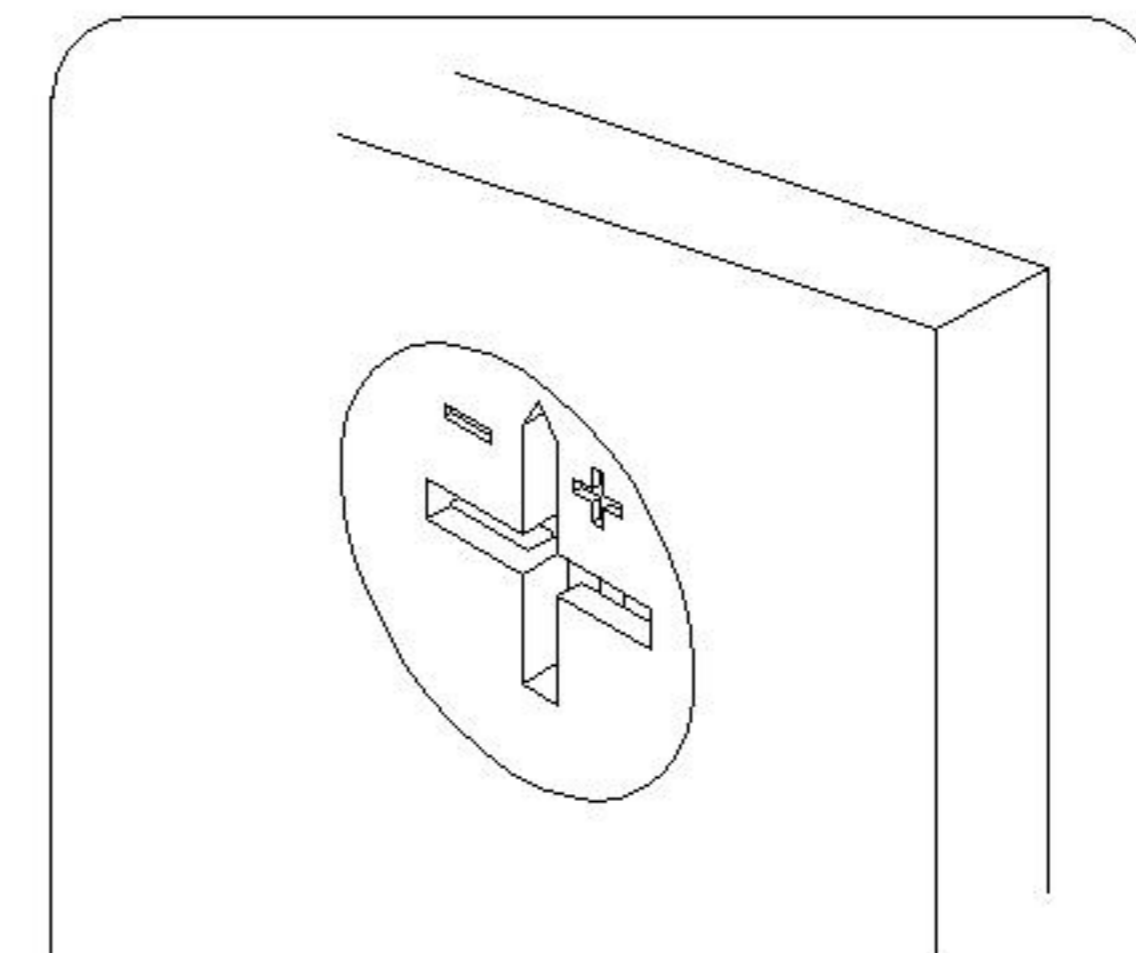
(P)*84

孔位贴使用小贴士

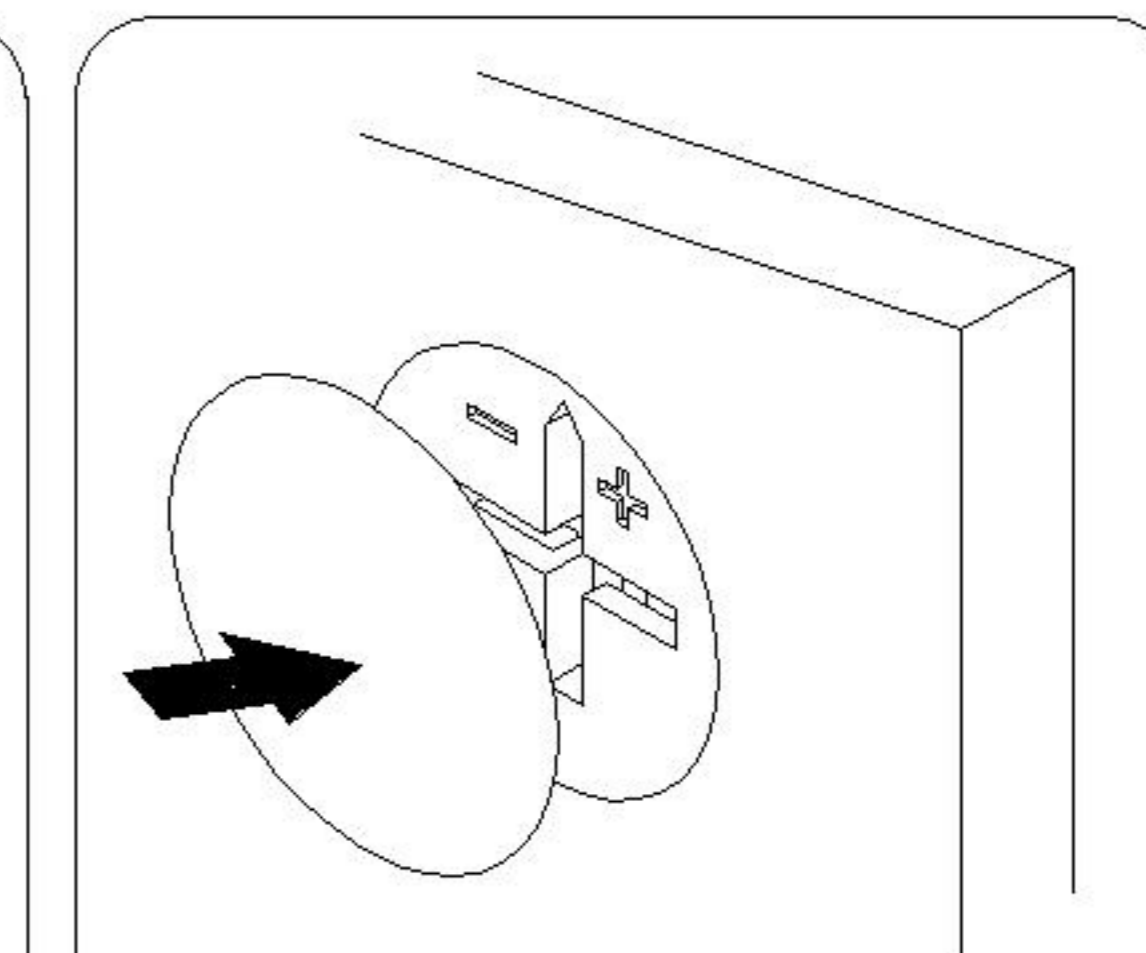
产品安装完成后请贴上孔贴，多出的孔贴请保管好

Tips for using hole stickers:

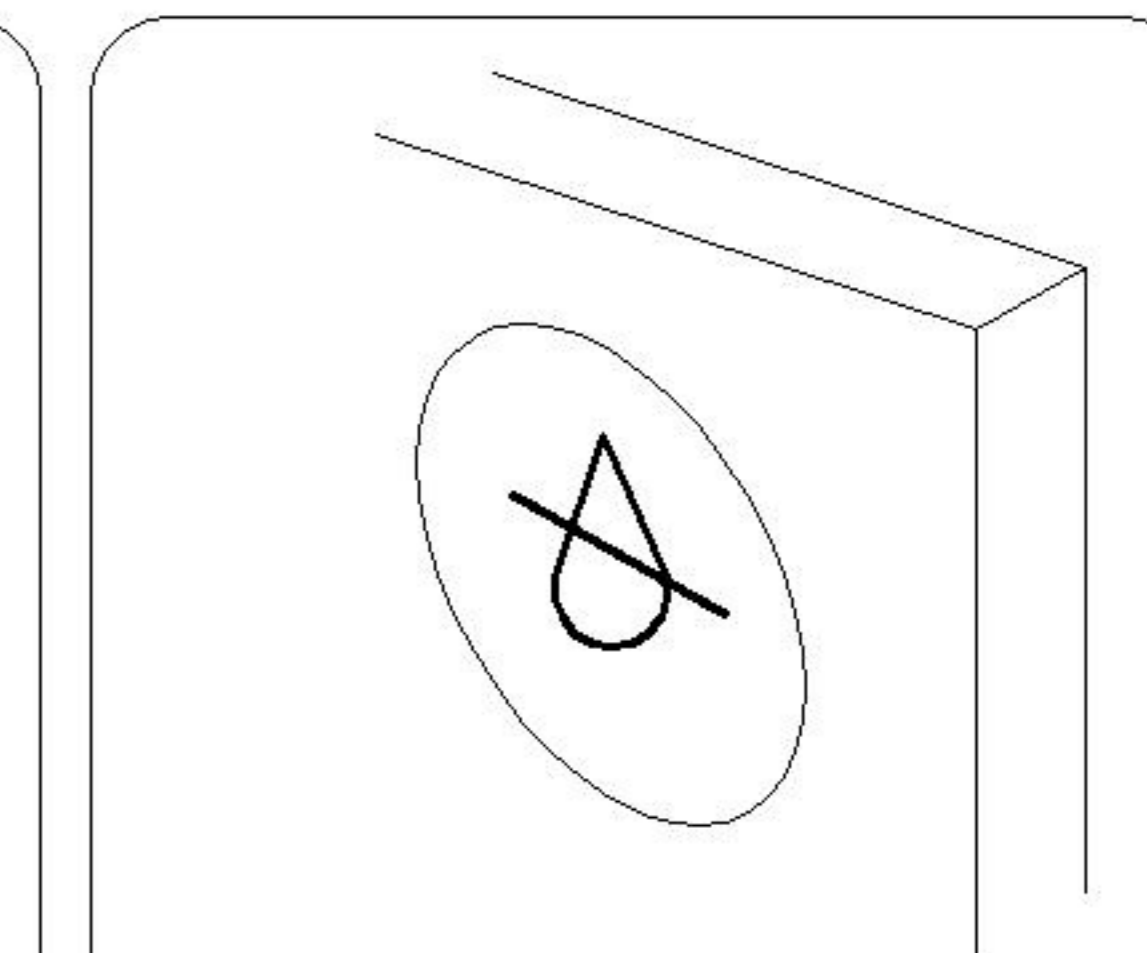
After the product installation is completed, please attach the hole stickers. Please keep any extra hole stickers safe



1、擦干净孔位
1、Clean the hole position thoroughly



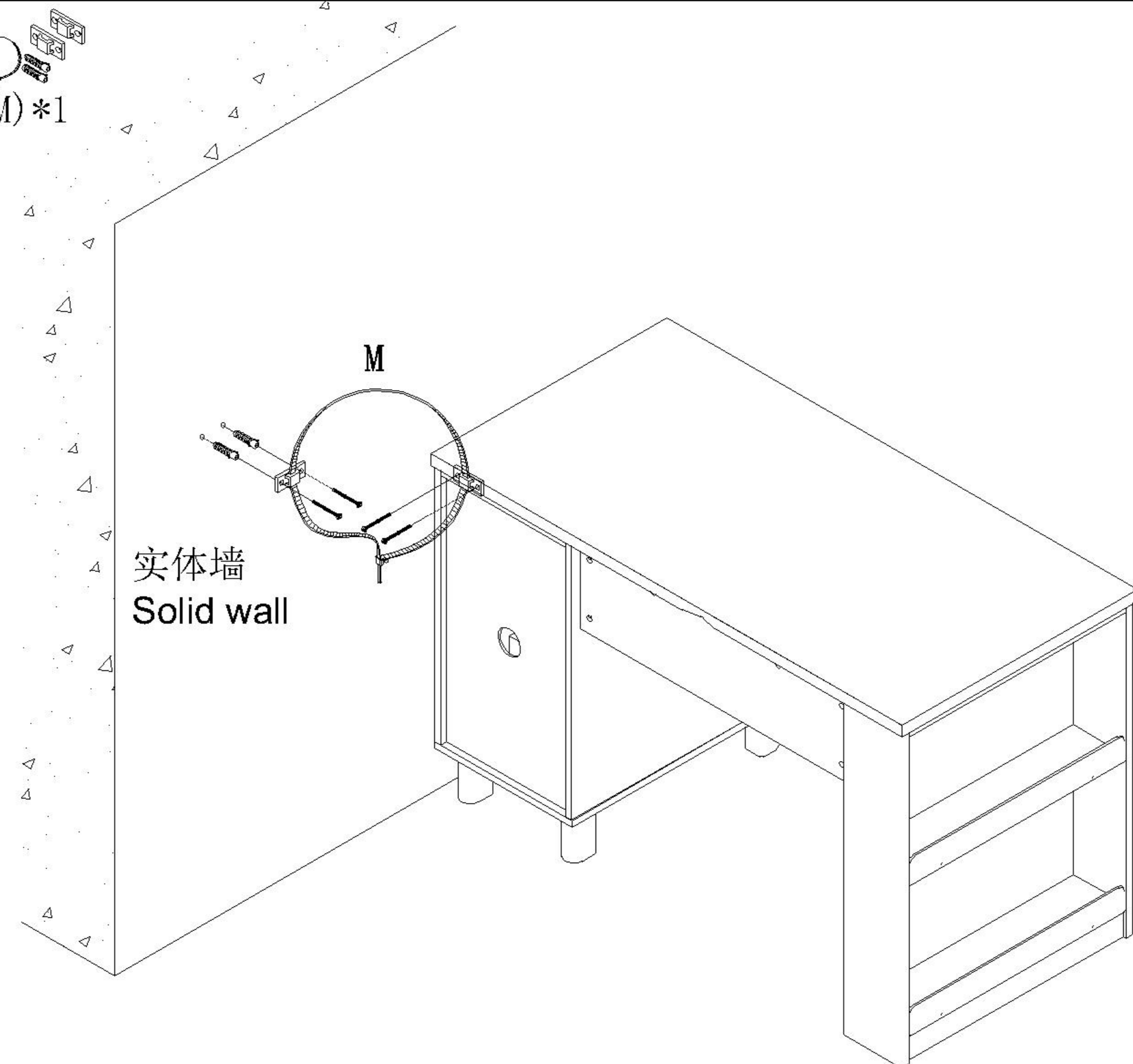
2、贴上孔贴
2、Attach hole stickers



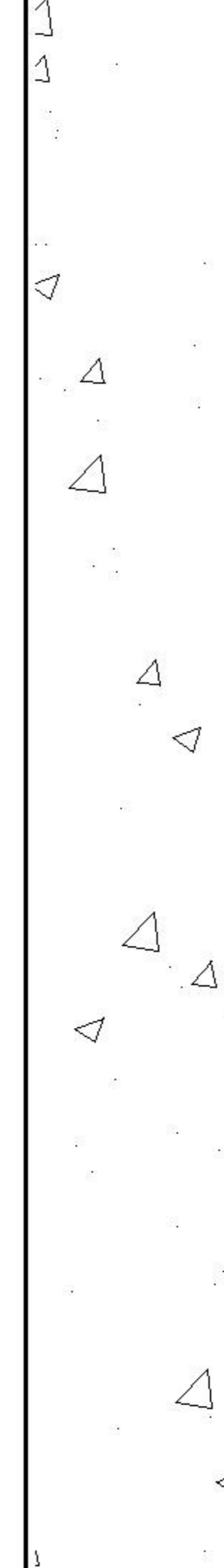
3、24小时内勿碰水
3、Do not touch water within 24 hours

14

(M)*1



15



16

LINSY 林氏家居

五金表/Hardware list

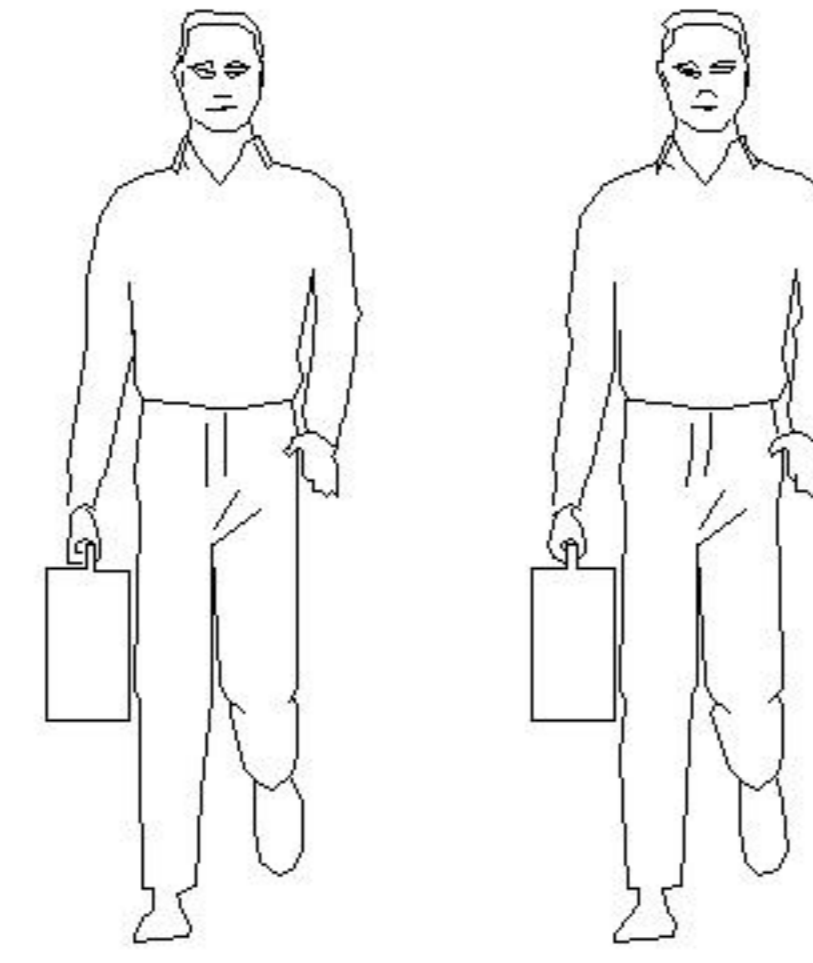
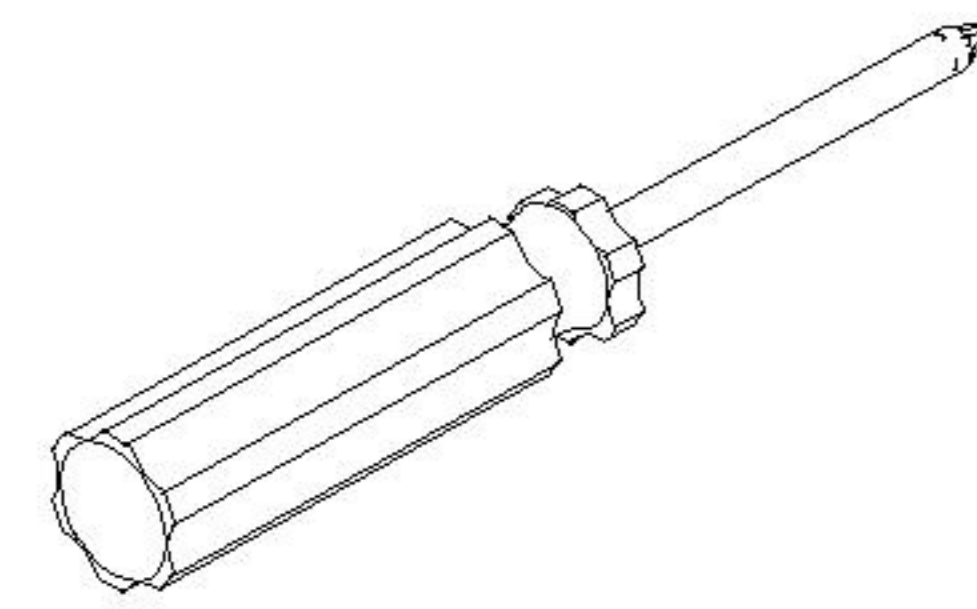
部件表/Parts List

安装示意图/Assembly Instruction

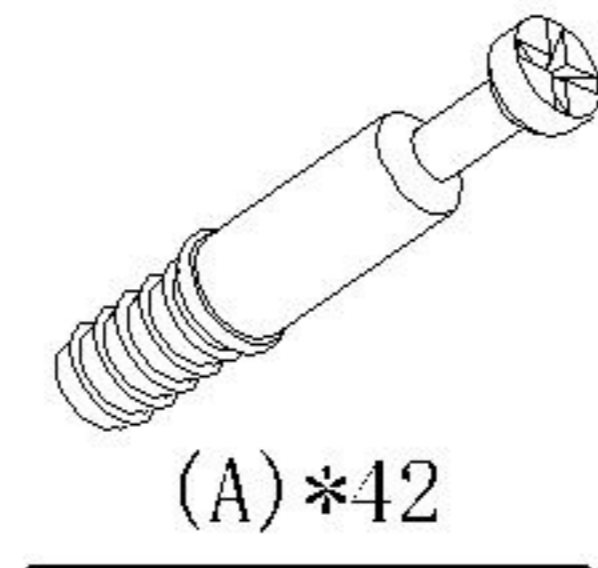
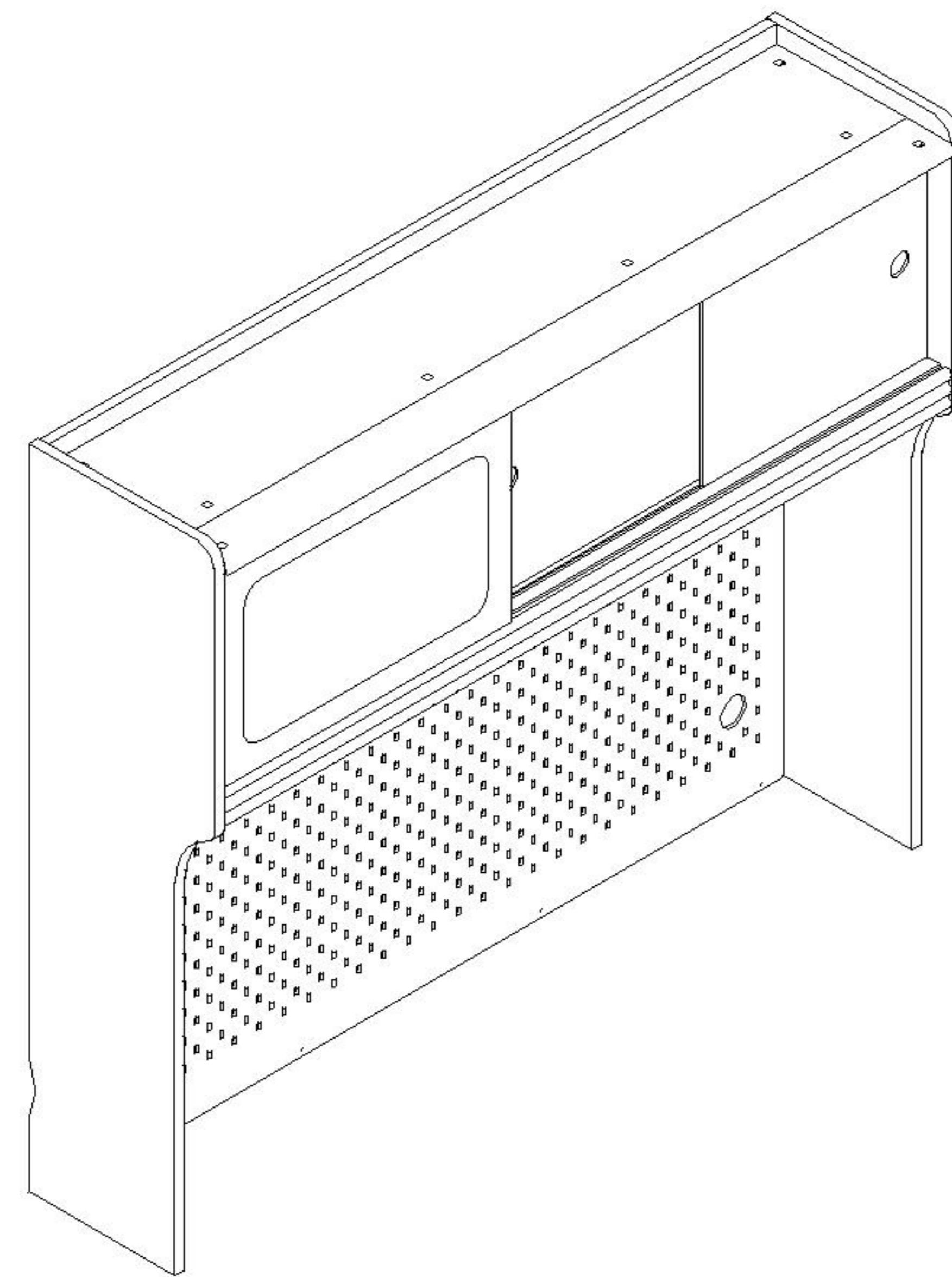
产品名称 Model NO. UY2V-A1.4米上柜

产品规格 Specification 1398*305*1040mm

安装工具 Tool 安装人数 Installer

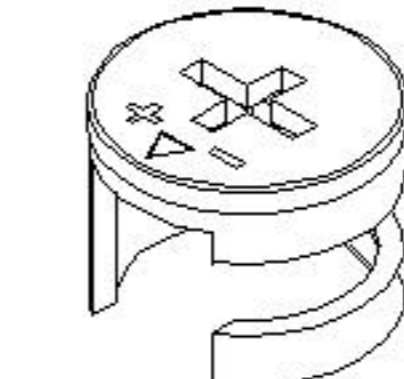


注：为保证设计效果，部分尺寸为定制尺寸，不影响使用。



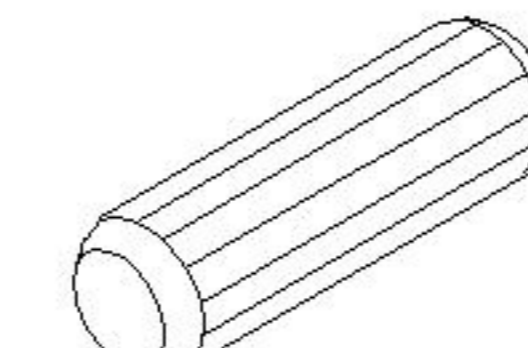
(A)*42

二合一螺杆
2-in-1-screw



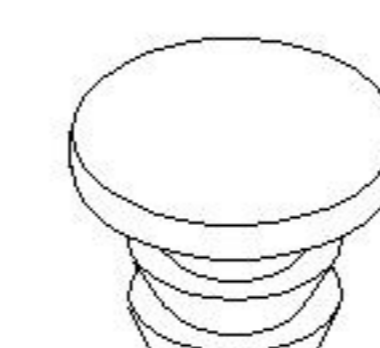
(B)*42

大三合一锁饼
3-in-1 large lock



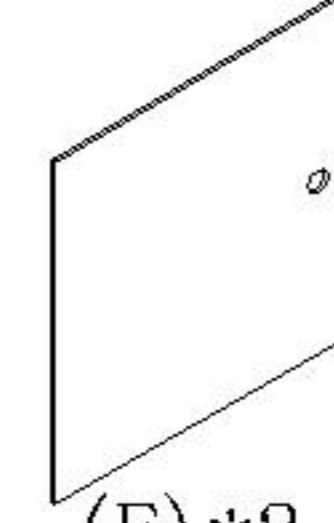
(C)*19

木榫- $\phi 8 \times 30$
Wood tenon



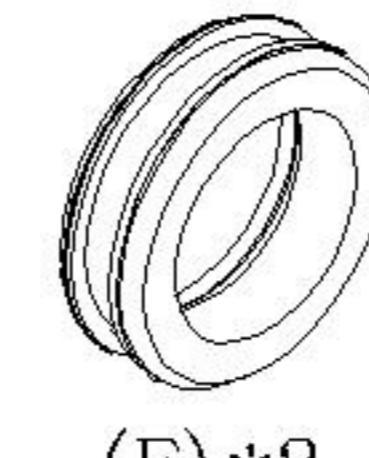
(D)*12

防撞孔塞
Anti-collision plug



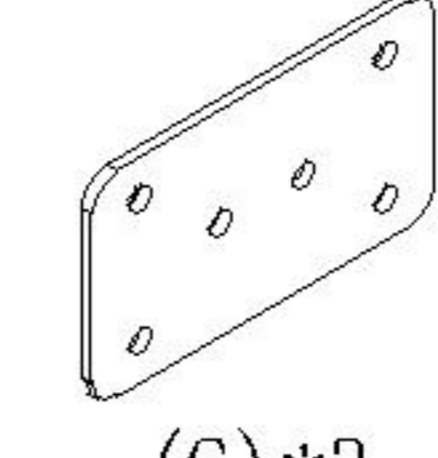
(E)*2

门板玻璃
Door glass



(F)*2

银色亮光圆环拉手
Silver shiny
circular handle



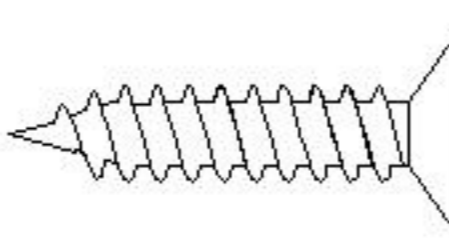
(G)*3

铁床条
Iron bed strip



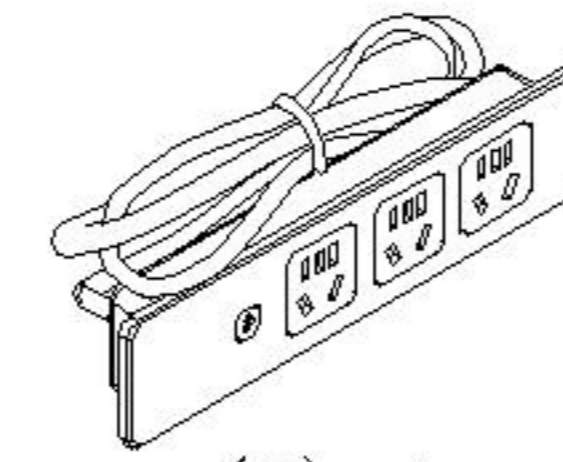
(H)*8

背板扣
Back Panel Buckle



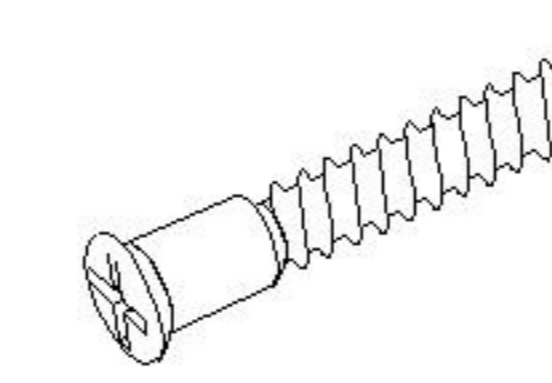
(I)*23

白攻螺丝M3.5*14mm
Tapping screw



(J)*1

插座
Socket



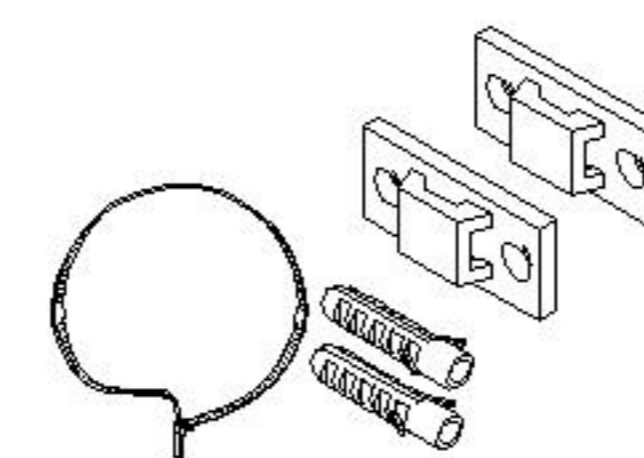
(K)*16

过山丝-M7x38mm
Confirmat screw



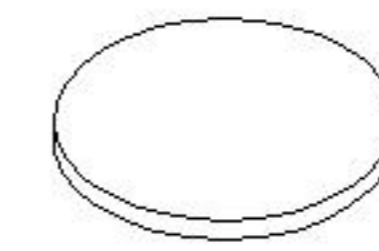
(L)*8

白攻大扁M4*16mm
Flat head
tapping screw



(M)*1

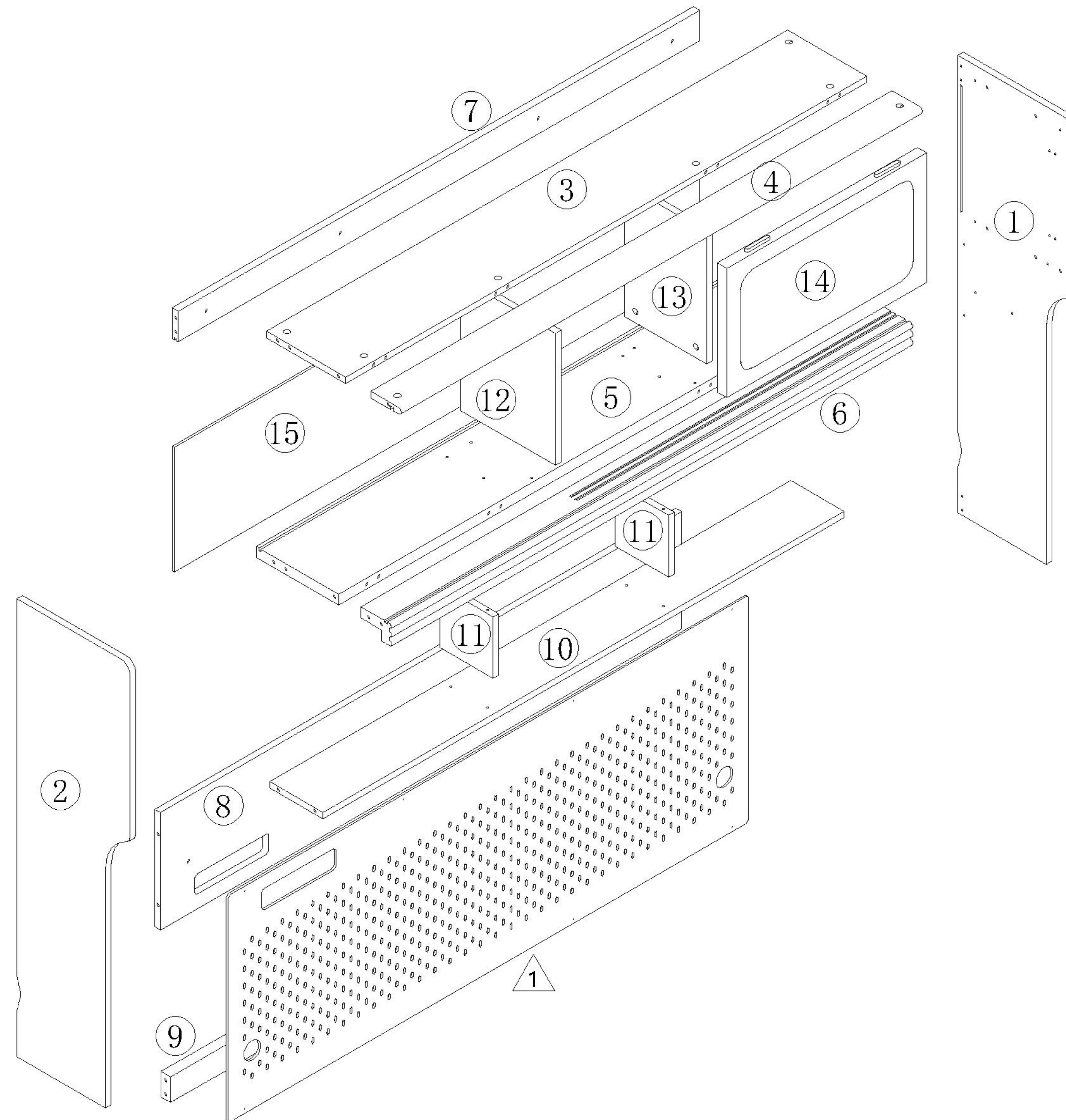
家具防倒器-白色
Anti-fall device



(N)*42

PVC孔贴
PVC hole sticker

编号NO.	名称Name	规格(mm) Specification	数量QTY	材质Material
UY2V-A1.4米上柜 UY2V-A1.4-meter cabinet				
①	右侧板Side board(R)	1040*298*15	1	刨花板 Particle board
②	左侧板Side board(L)	1040*298*15	1	刨花板 Particle board
③	顶板Top board	1368*208*15	1	刨花板 Particle board
④	上拉条Top brace	1368*80*15	1	橡胶木 Rubber wood
⑤	层板Shelf	1368*217*25	1	刨花板 Particle board
⑥	中拉条Brace	1368*80*50	1	橡胶木 Rubber wood
⑦	背拉条Back brace	1368*70*15	1	刨花板 Particle board
⑧	背板Back board	1368*267*15	1	橡胶木 Rubber wood
⑨	下拉条Bottom brace	1368*58*25	1	刨花板 Particle board
⑩	下层板Lower shelf	1368*140*15	1	刨花板 Particle board
⑪	中隔板Middle clapboard	140*140*15	2	刨花板 Particle board
⑫	左中侧板Middle side board(L)	300*248*15	1	刨花板 Particle board
⑬	右中侧板Middle side board(R)	300*216*15	1	刨花板 Particle board
⑭	趟门板Door plank	525*307*25	1	橡胶木+纤维板 Rubber wood+Fiberboard
⑮	上背板Upper back board	1378*283*5	1	纤维板 Fiberboard
UY2V-A1.4米洞洞板 UY2V-A1.4-meter hole slab				
△1	饰板 plaque	1366*515*1.8	1	纤维板 Fiberboard



编号NO.

名称Name

UY2V-A1. 4米上柜

①	右侧板Side board(R)
②	左侧板Side board(L)
③	顶板Top board
④	上拉条Top brace
⑤	层板Shelf
⑥	中拉条Brace
⑦	背拉条Back brace
⑧	背板Back board
⑨	下拉条Bottom brace
⑩	下层板Lower shelf
⑪	中隔板Middle clashboard
⑫	左中侧板Middle side board(L)
⑬	右中侧板Middle side board(R)
⑭	趟门板Door plank
⑮	上背板Upper back board

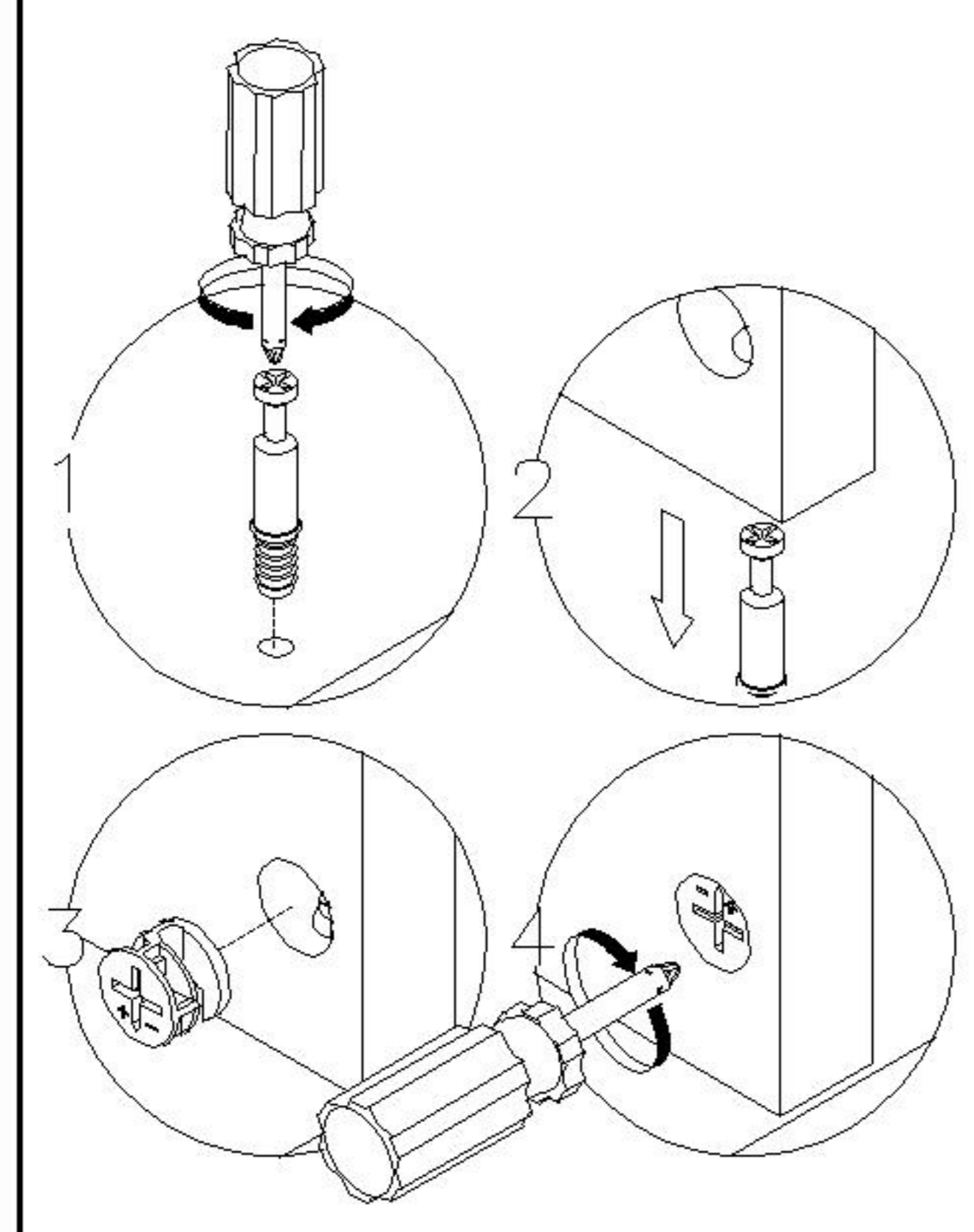
UY2V-A1. 4米洞洞板

△1	饰板 plaque
----	-----------

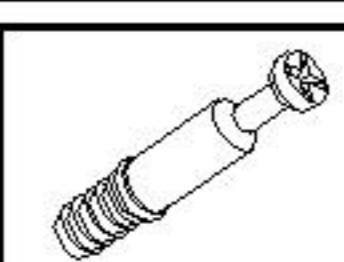
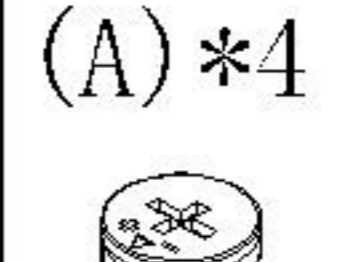
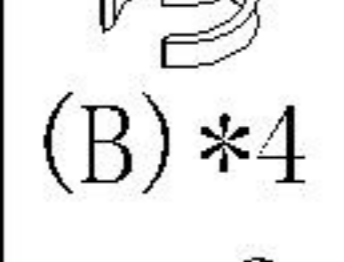
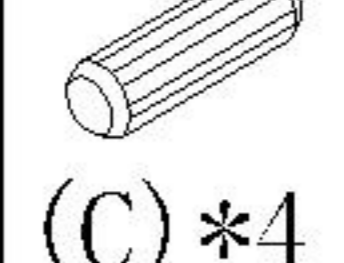
UY2V-A1. 4米上柜

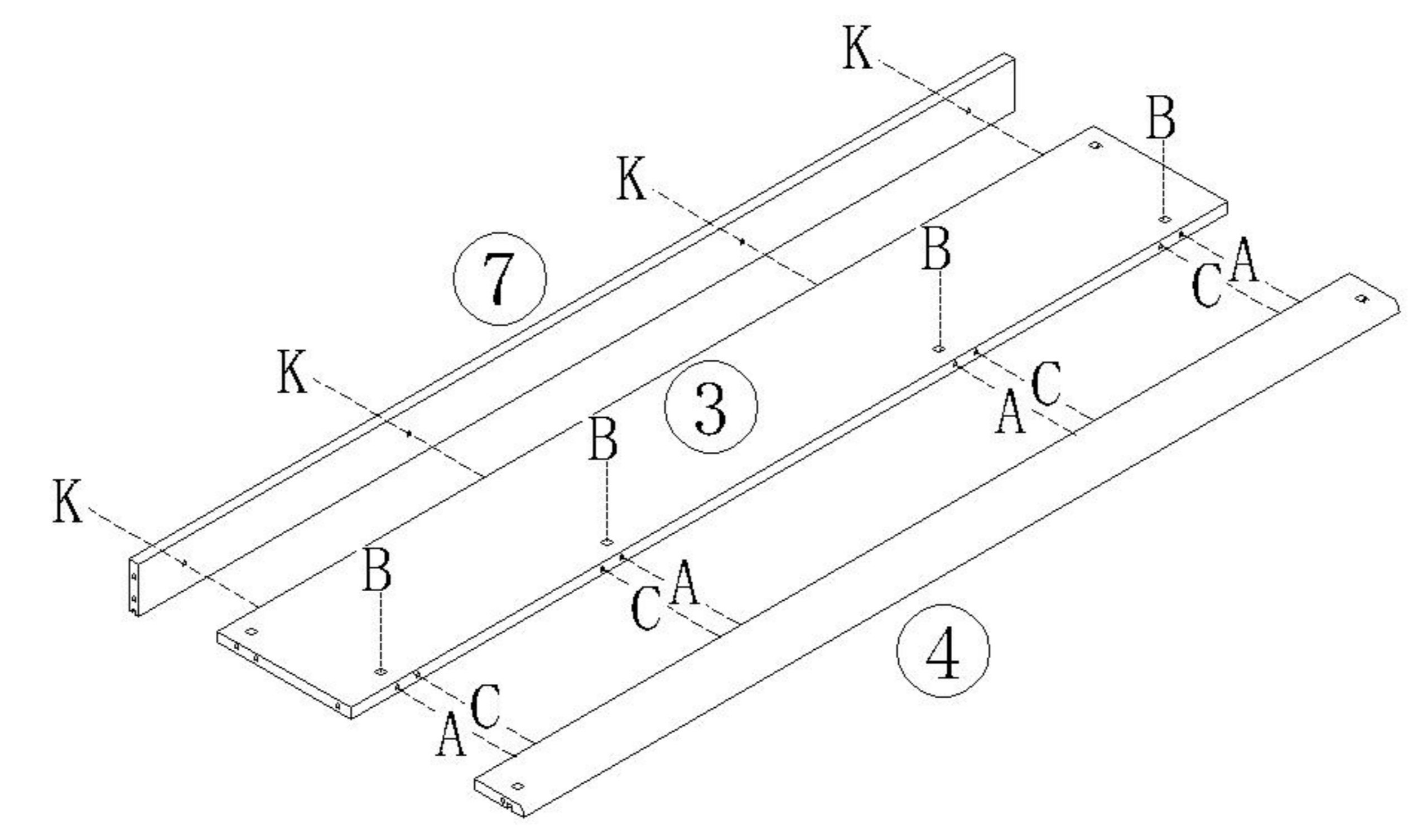
安装方法

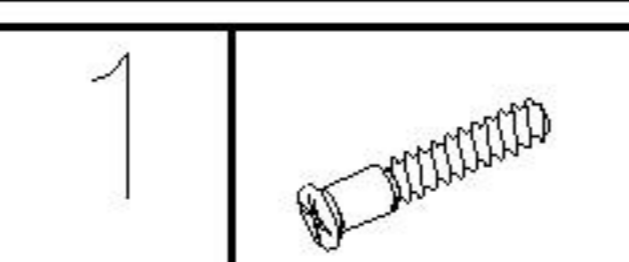
Installation method

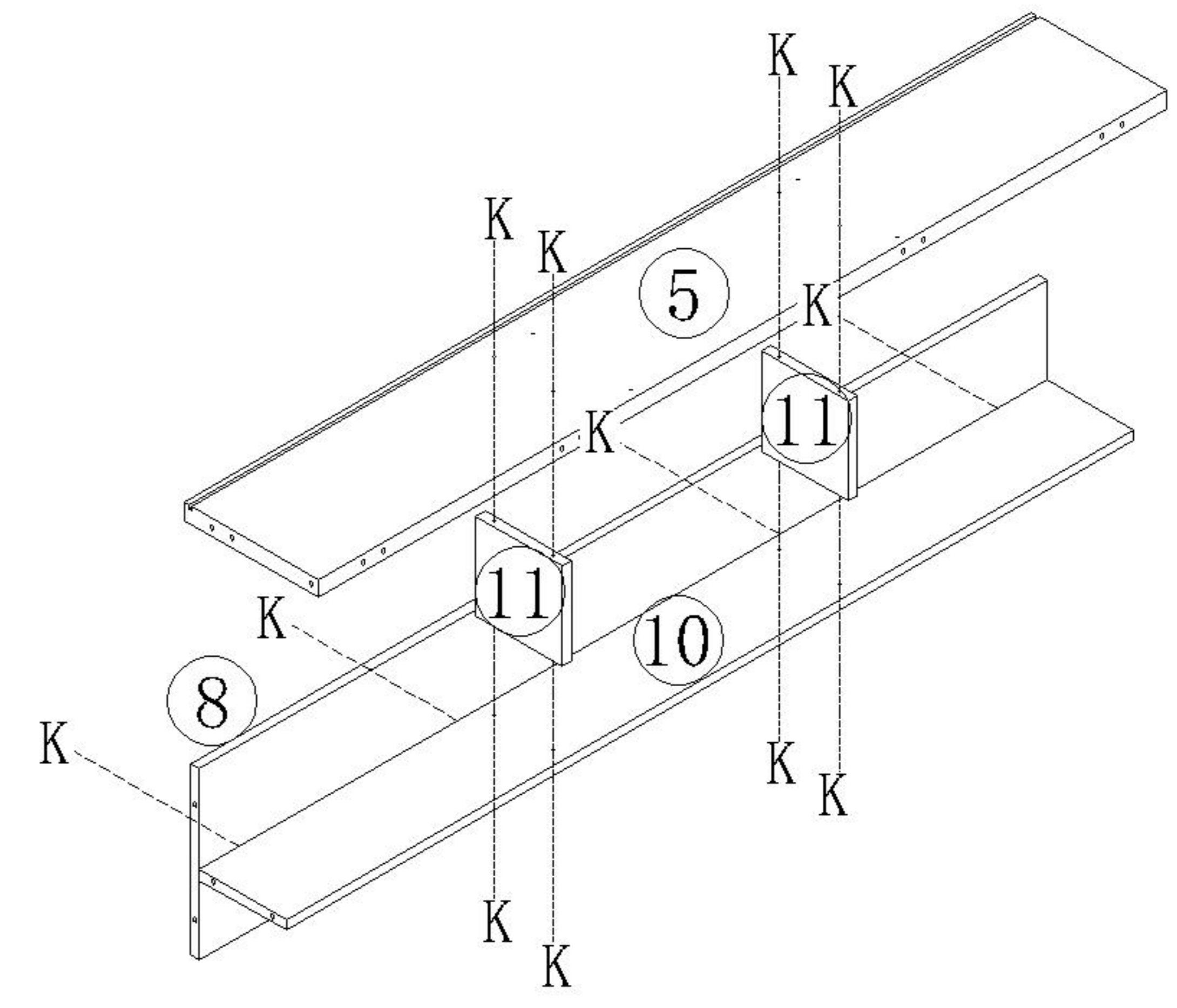


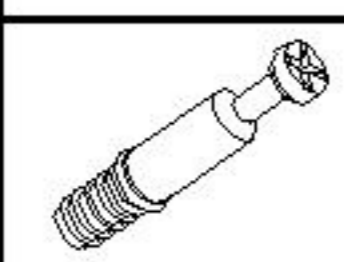

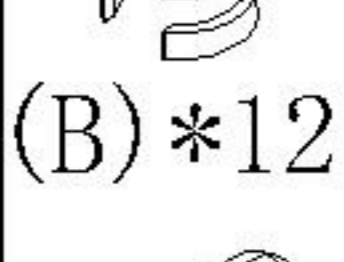
二合一 two-in-one

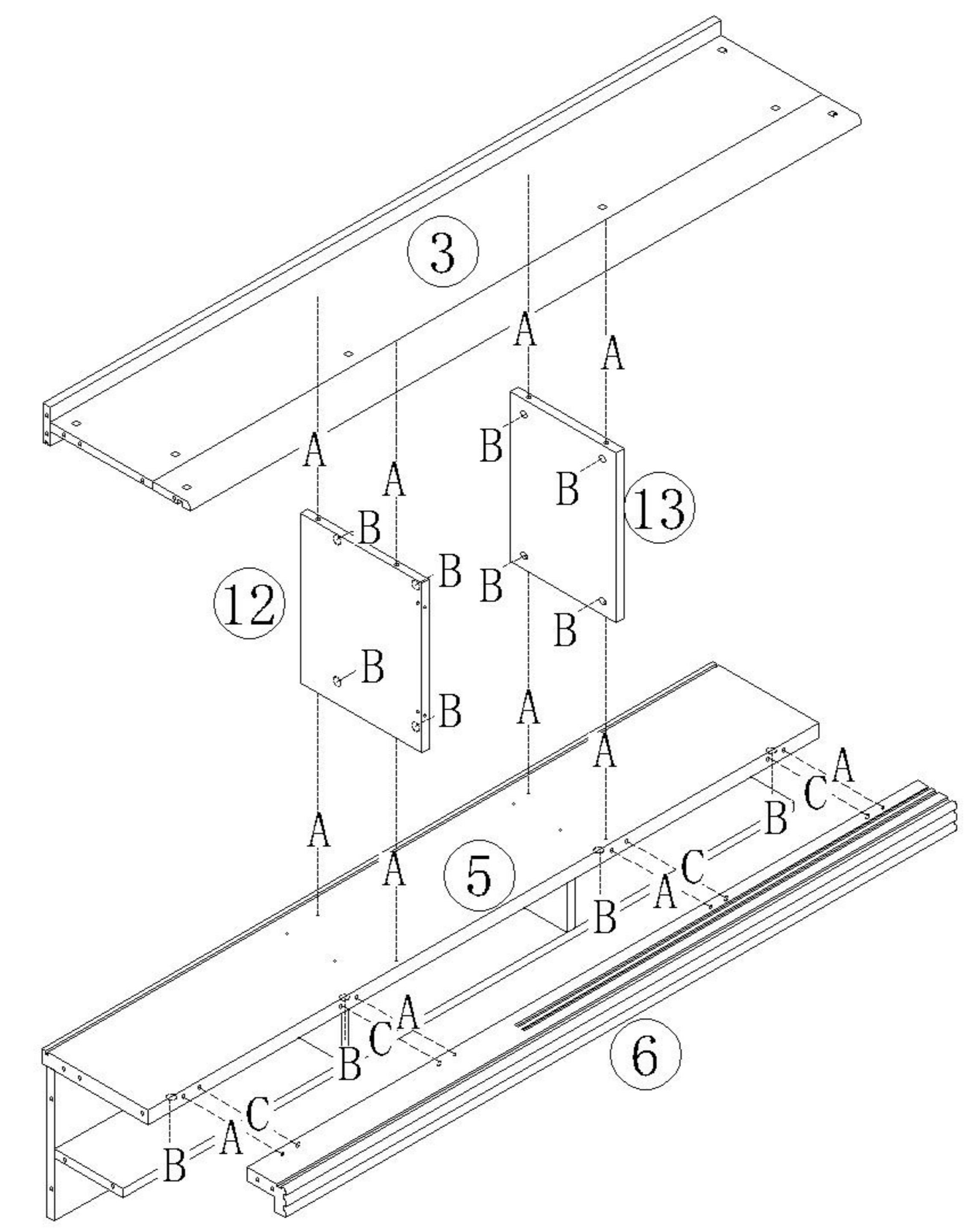
-  (A)*4
-  (B)*4
-  (C)*4
-  (K)*4

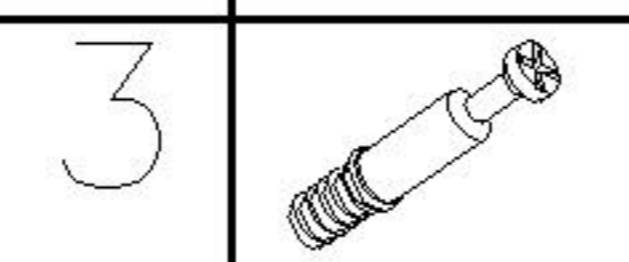
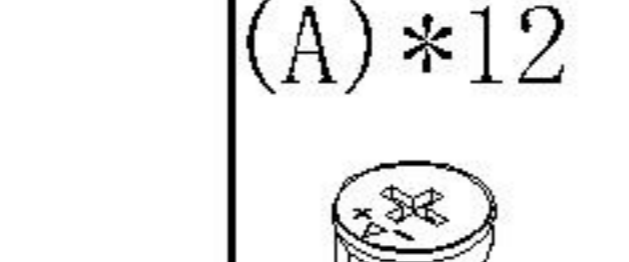
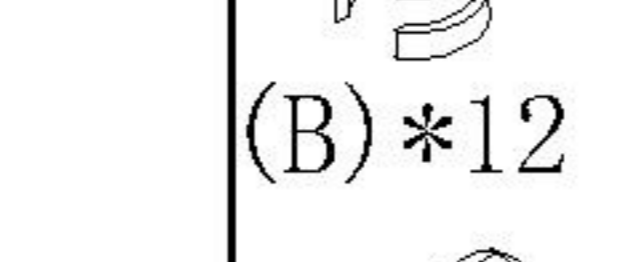


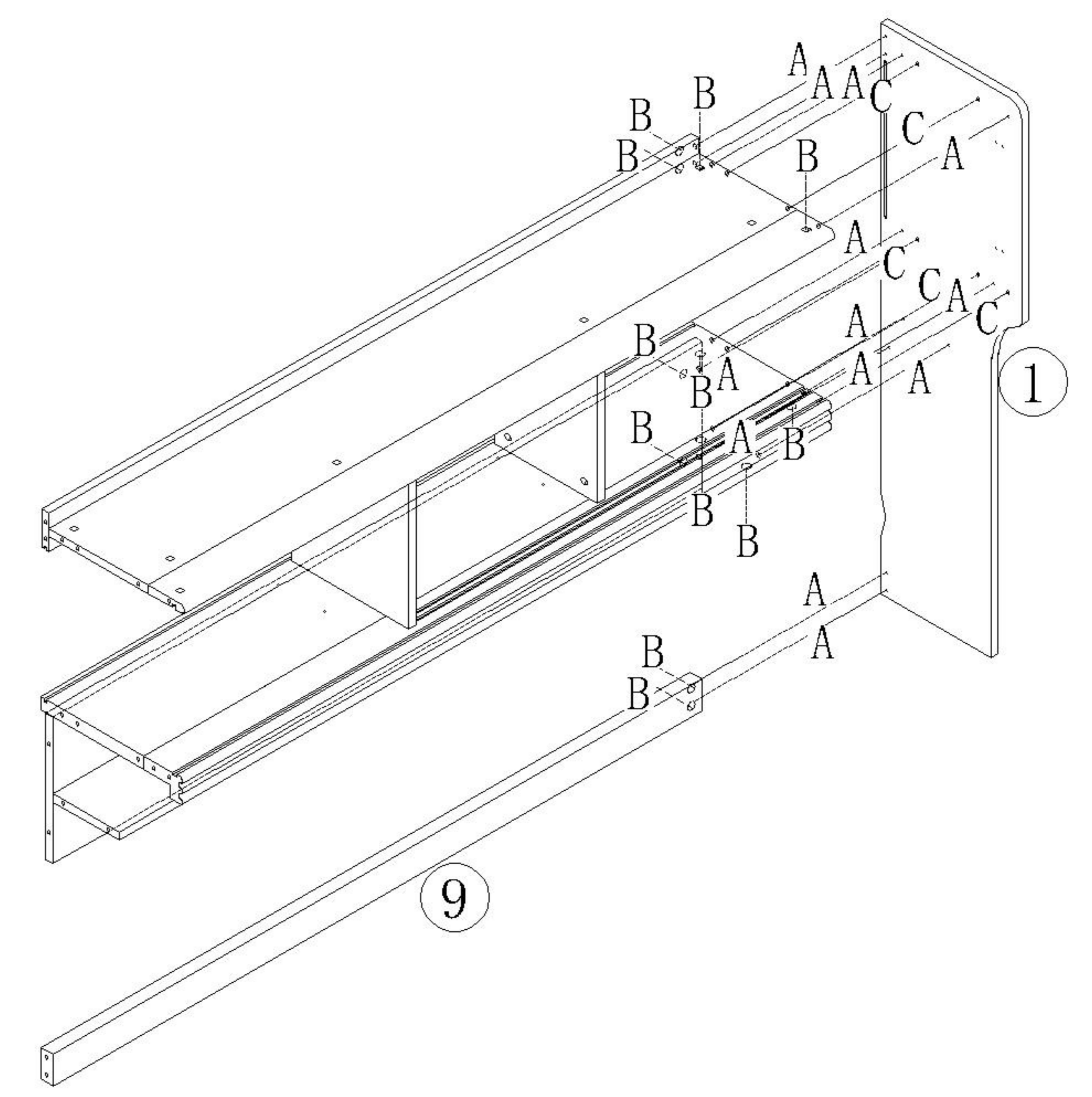
- 1  (K)*12



-  (A)*12
-  (B)*12
-  (C)*4



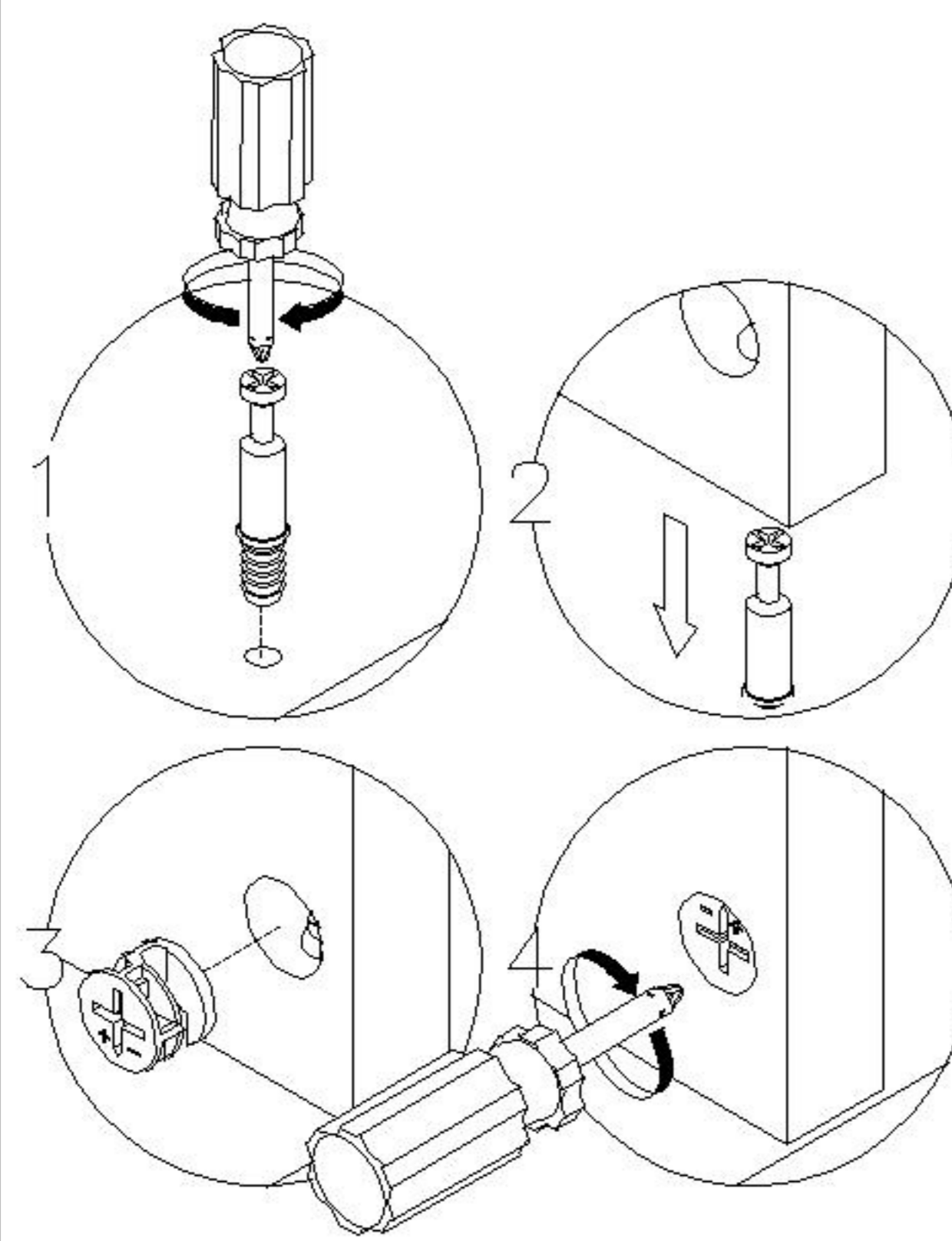
- 3  (A)*12
-  (B)*12
-  (C)*5



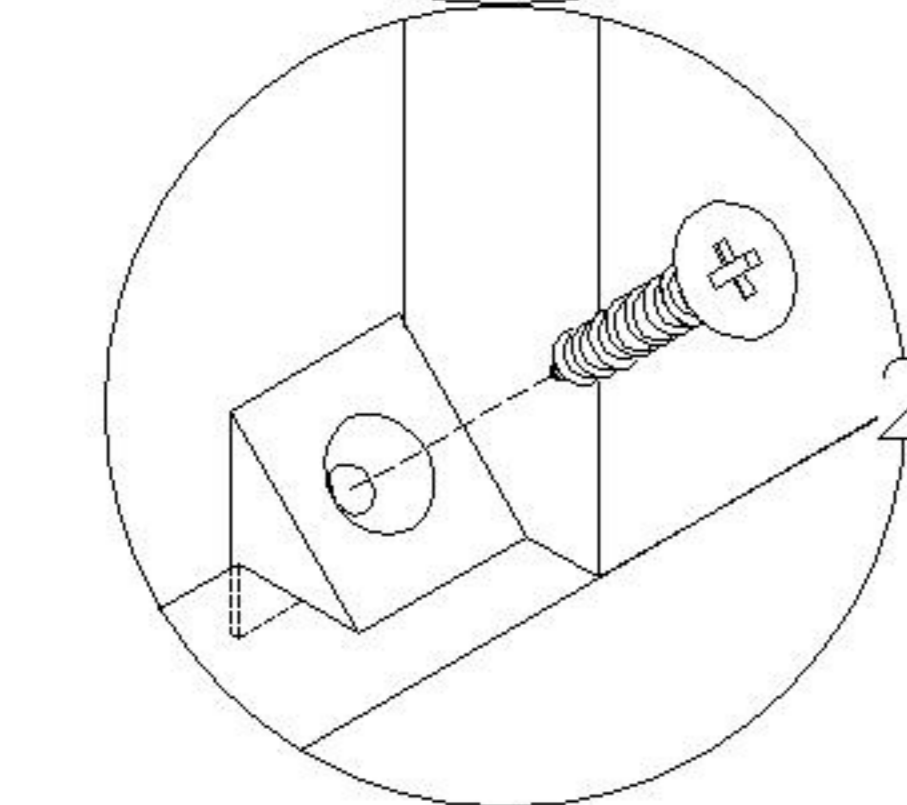
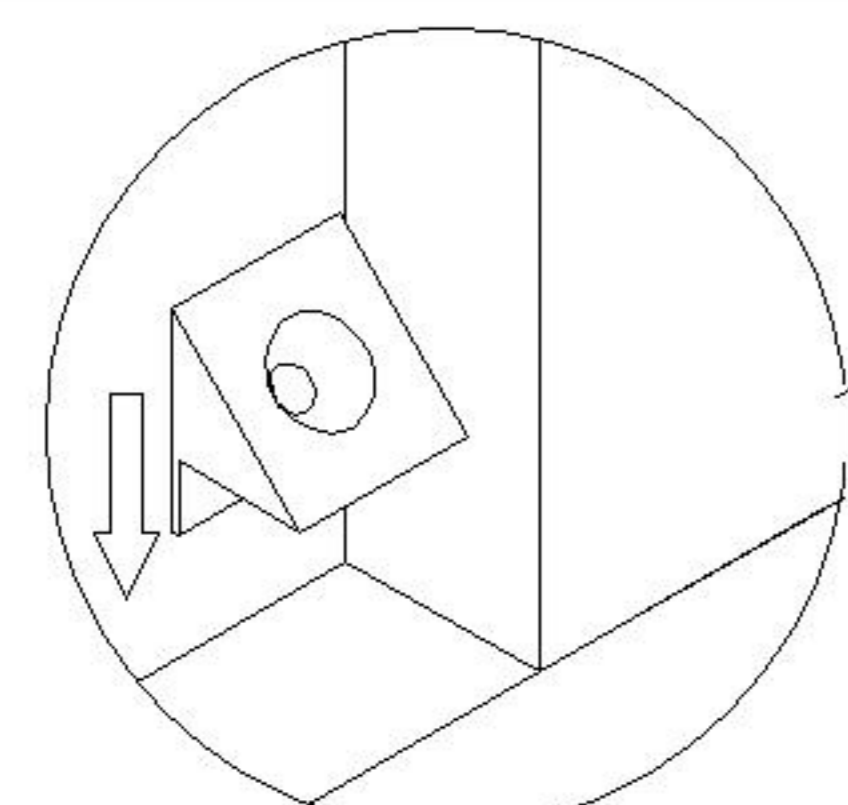
UY2V-A1.4米上柜

安装方法

Installation method

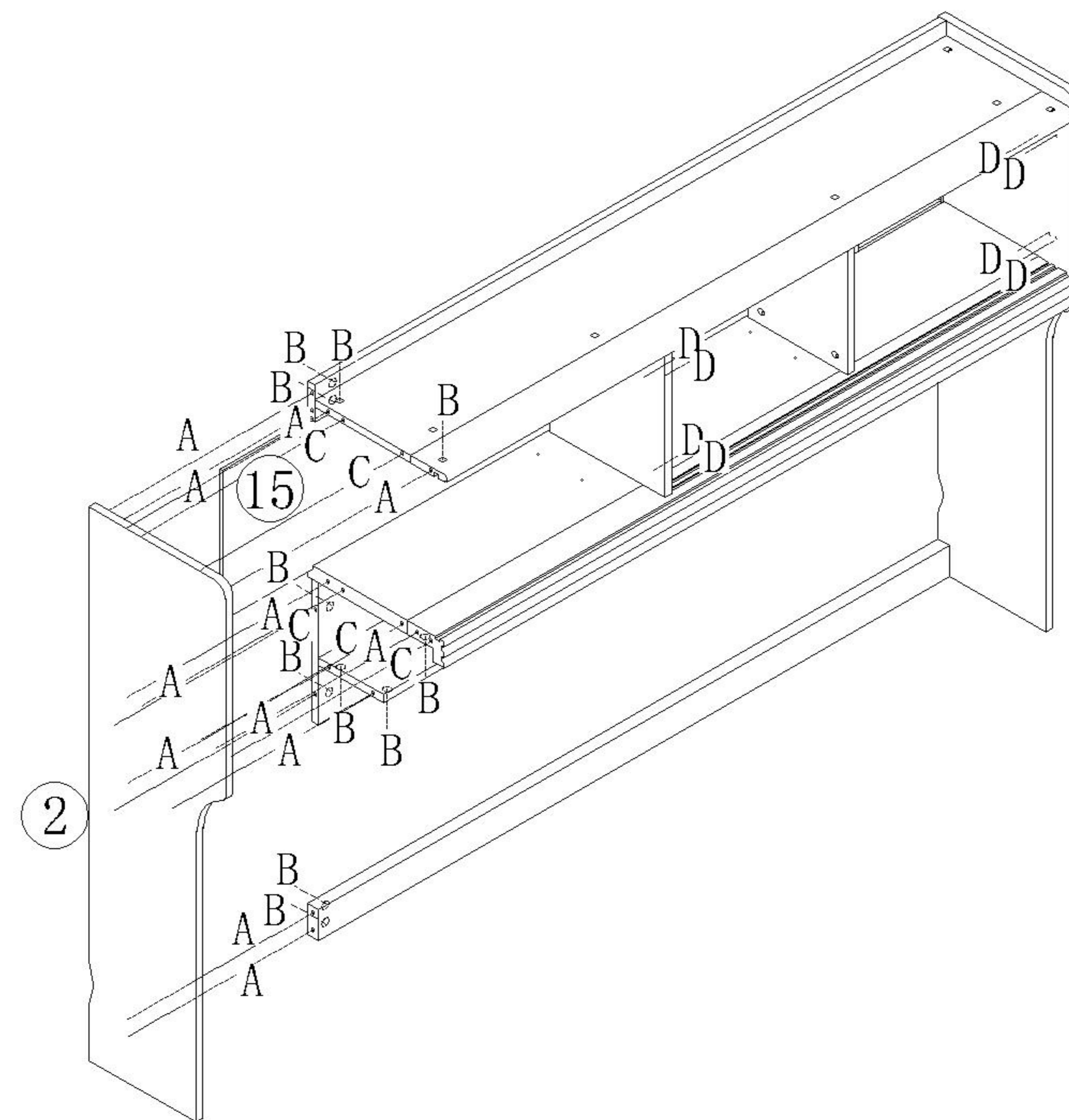


二合一 two-in-one

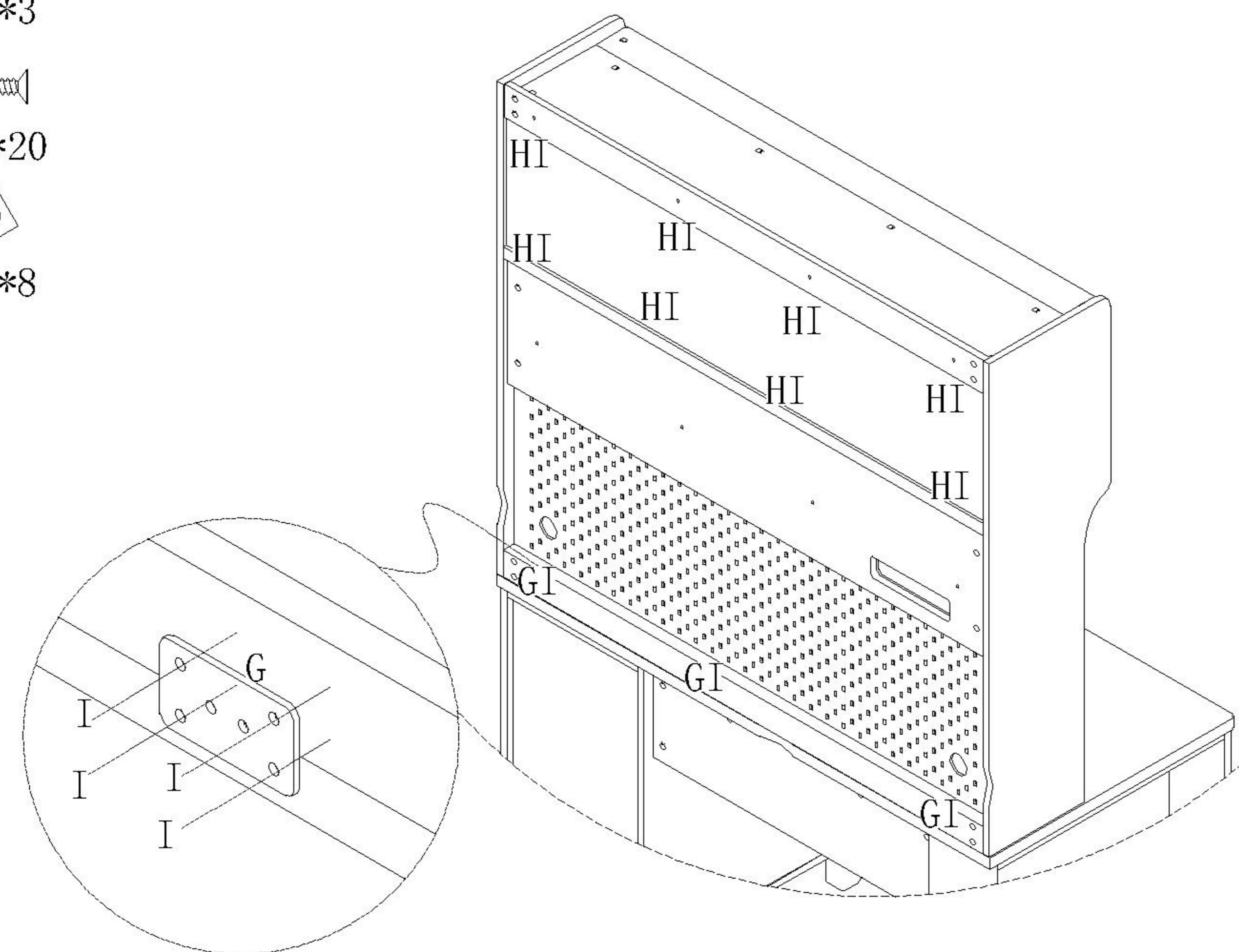


背板扣
Back Plate Buckle

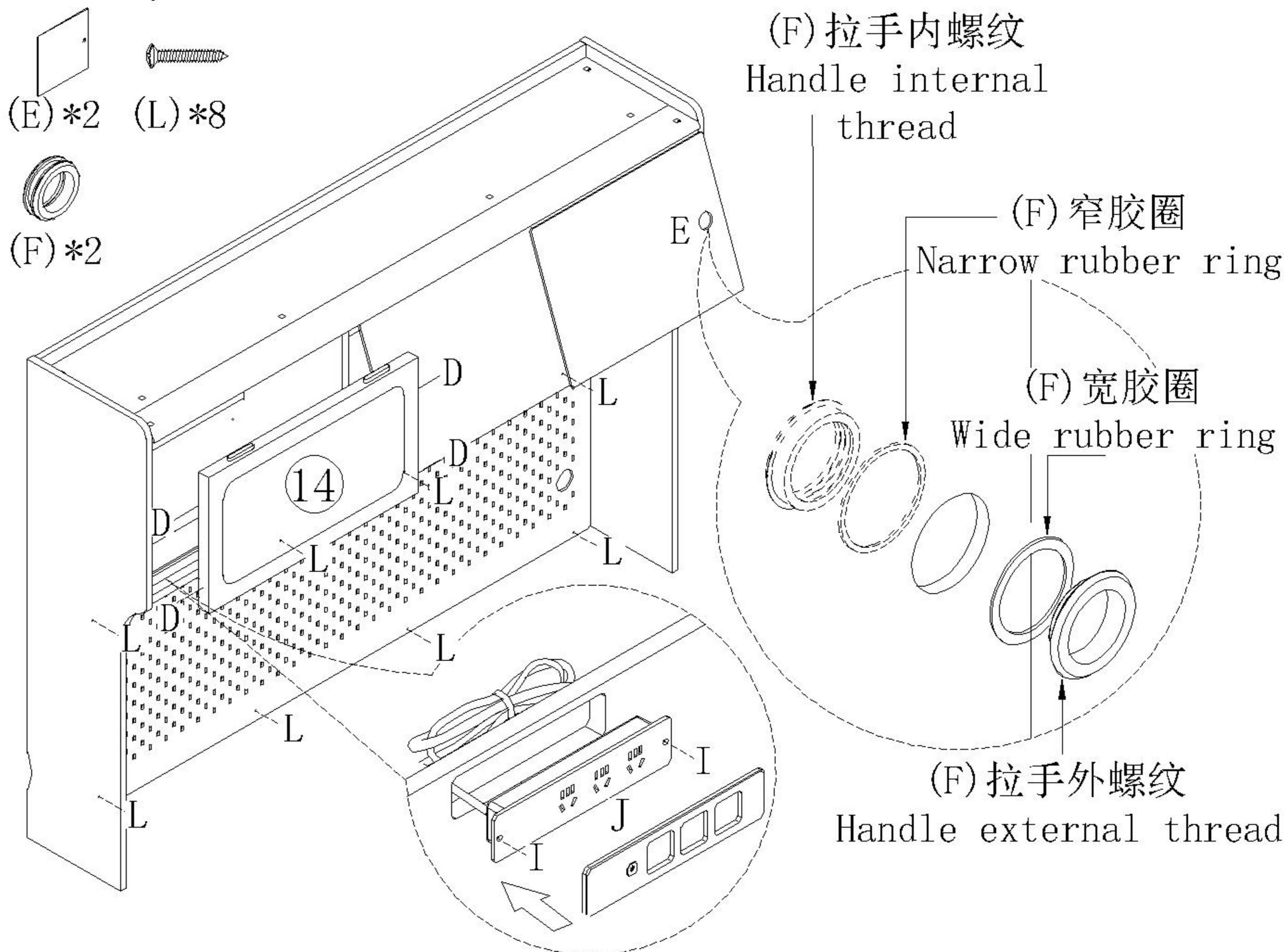
- (A)*12
- (B)*12
- (C)*5
- (D)*8



- (G)*3
- (I)*20
- (H)*8



- (D)*4 (J)*1 (I)*2
- (E)*2 (L)*8
- (F)*2



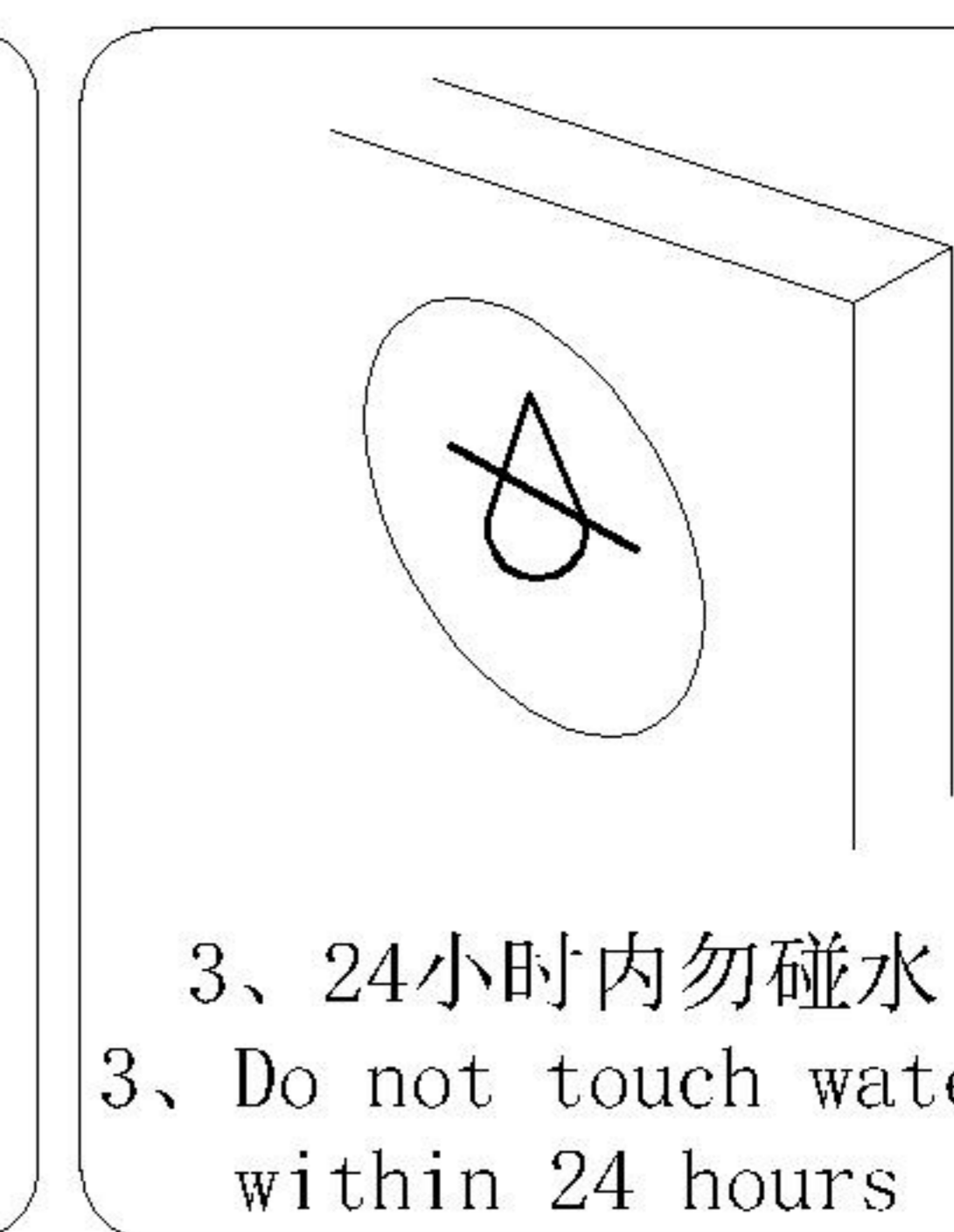
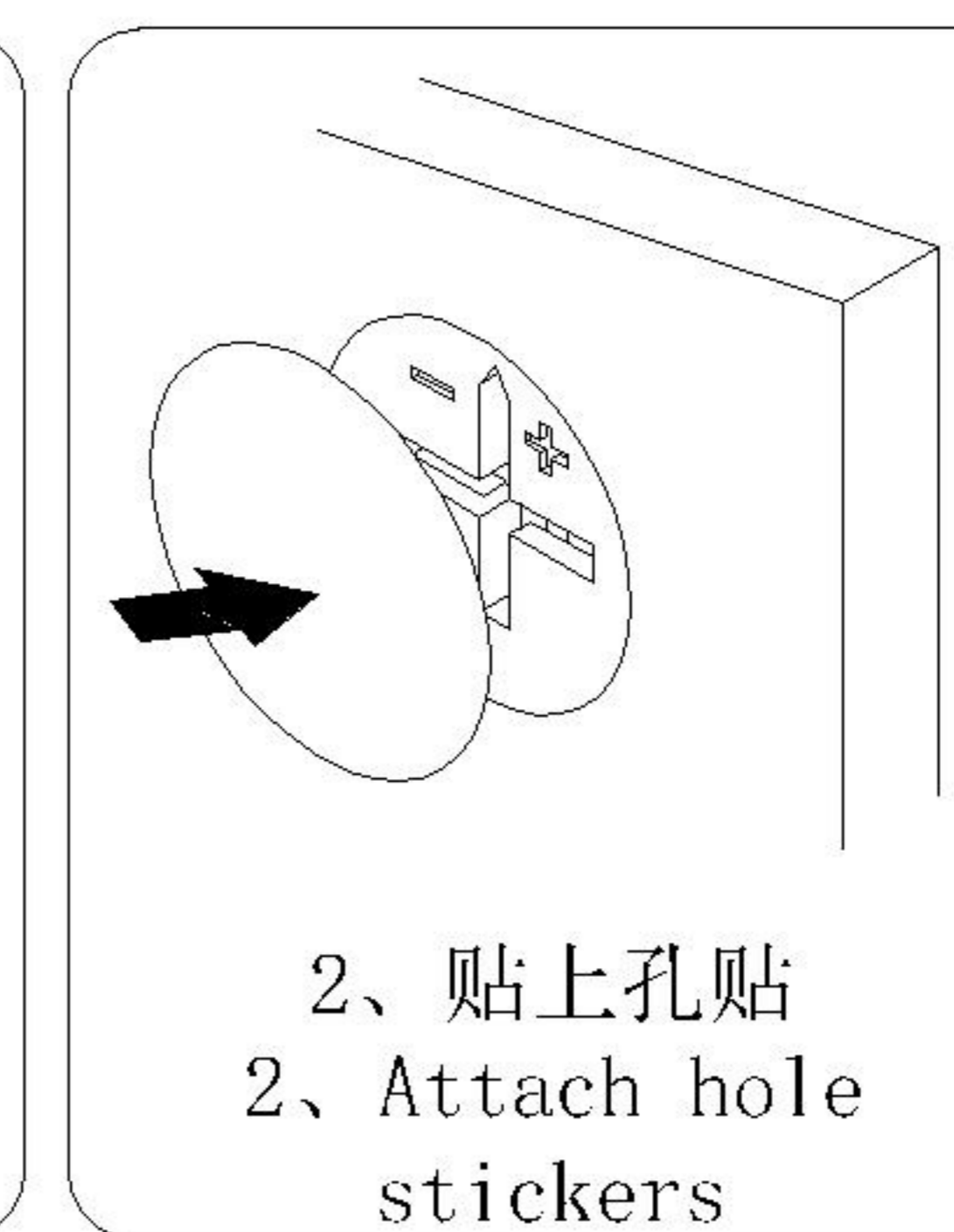
- (N)*42

孔位贴使用小贴士

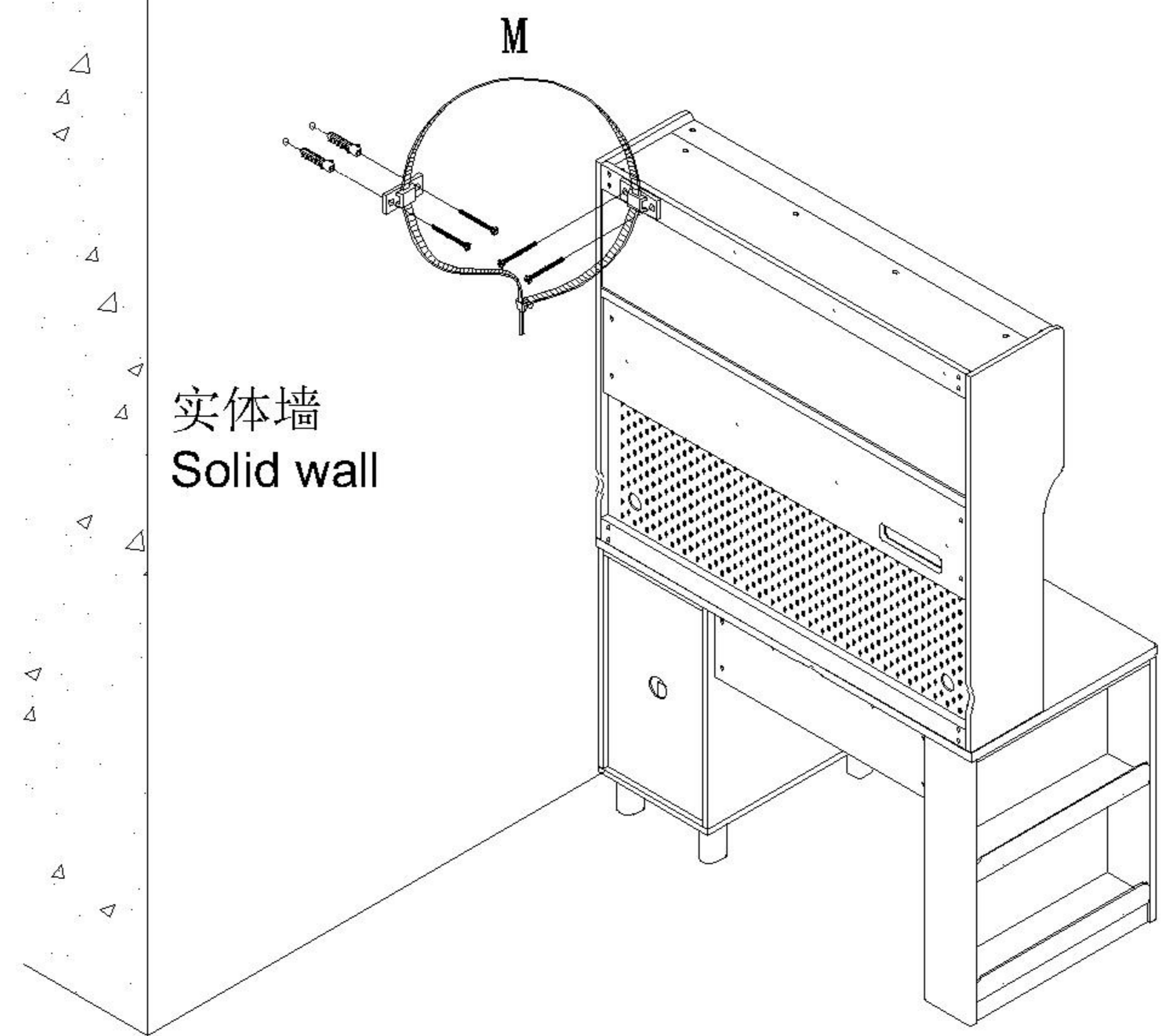
产品安装完成后请贴上孔贴，多出的孔贴请保管好

Tips for using hole stickers:

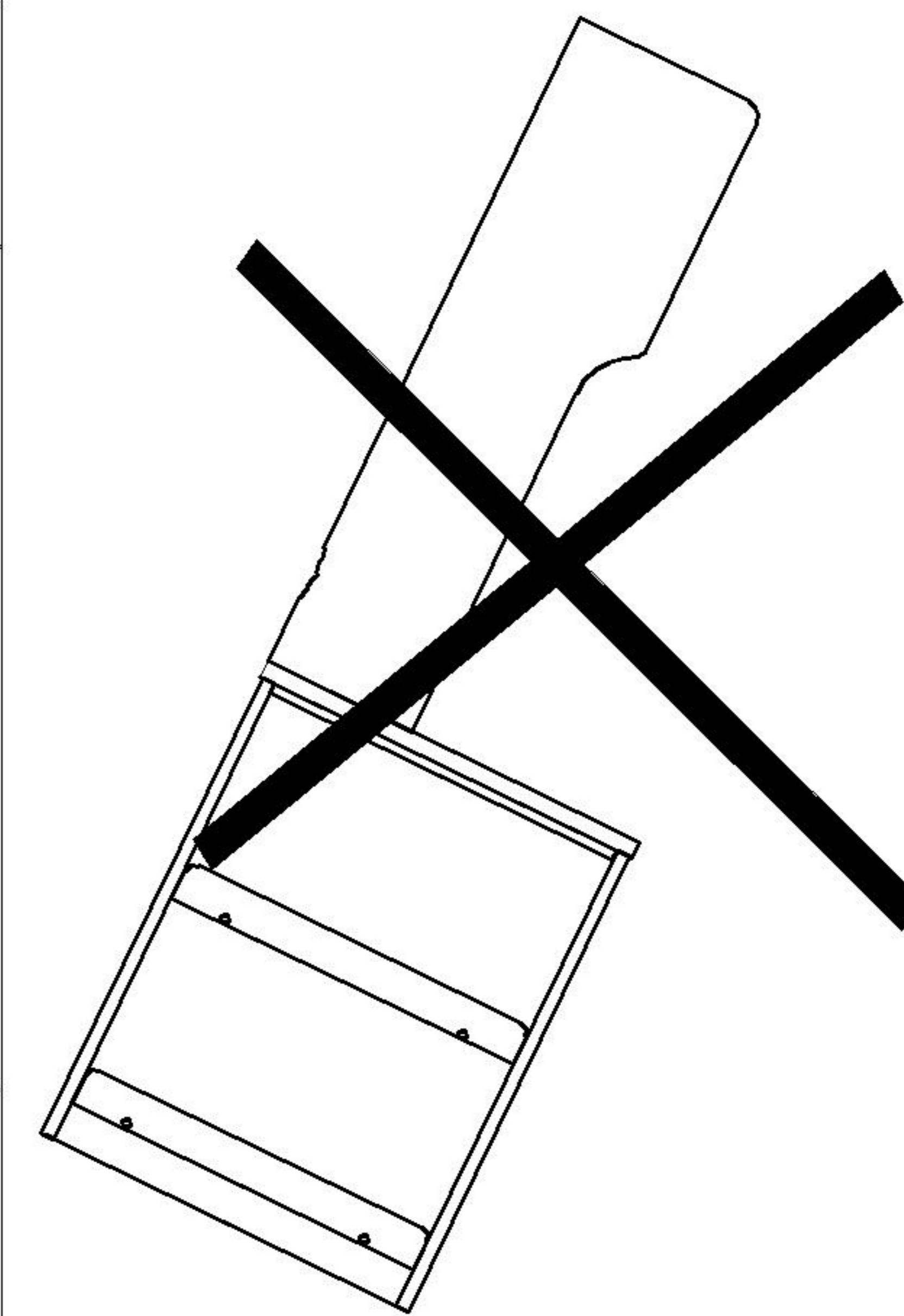
After the product installation is completed, please attach the hole stickers. Please keep any extra hole stickers safe



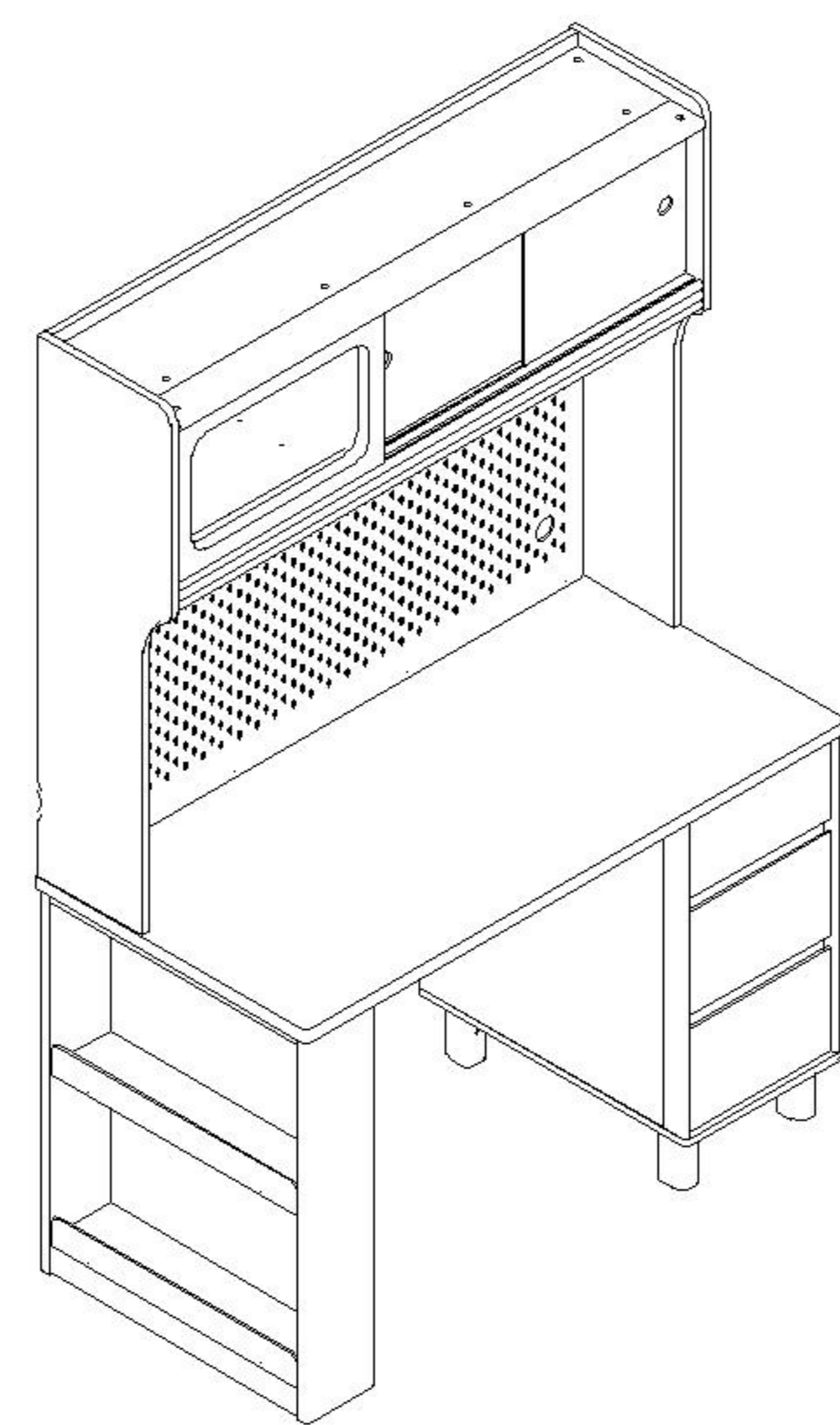
(M)*1



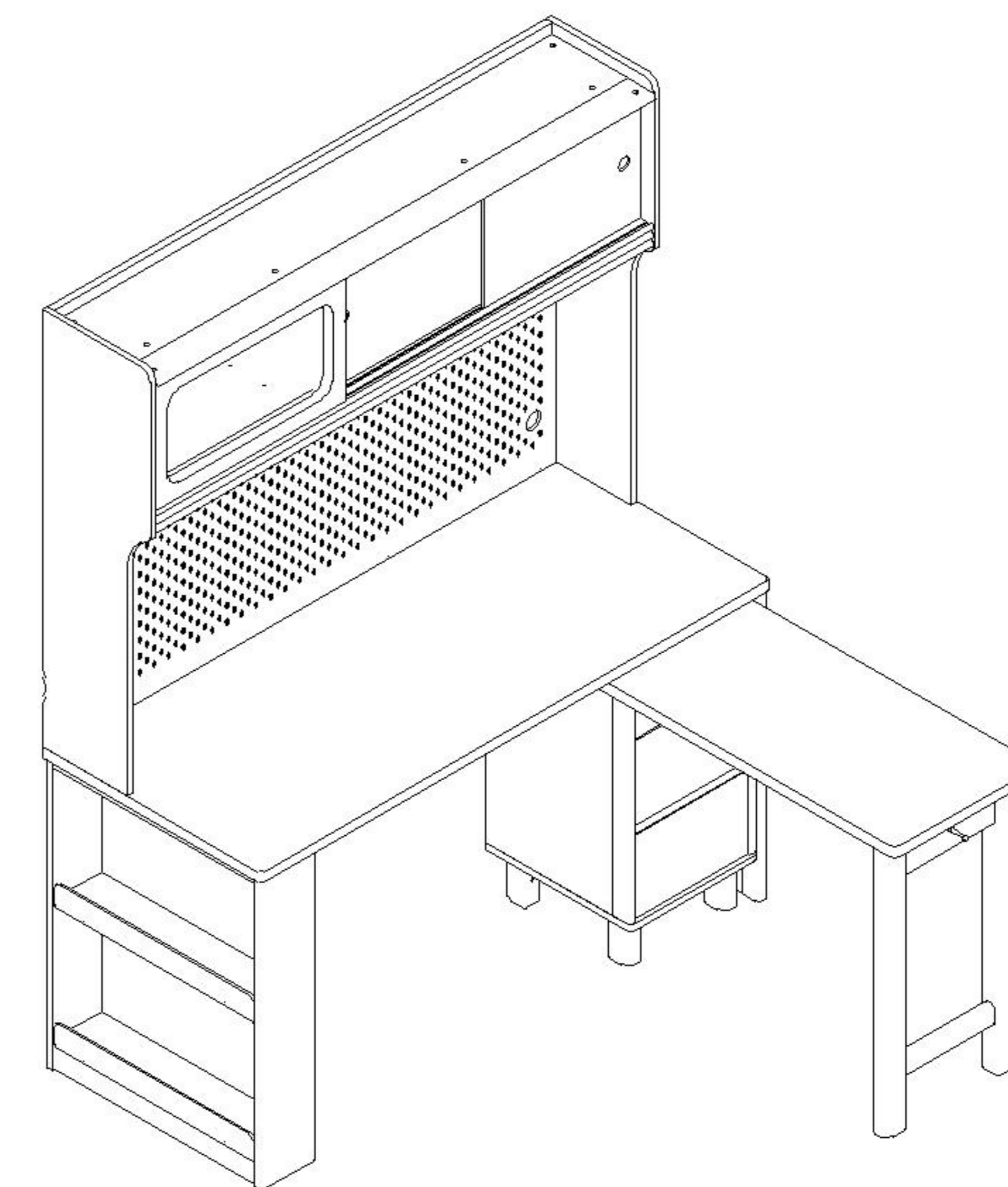
9



10



UY2V-A 常规款1.4米
UY2V-A regular model 1.4 meters
1400*600*1800mm



UY2V-A 转角款1.4米
UY2V-A corner model 1.4 meters
1400*600*1800mm