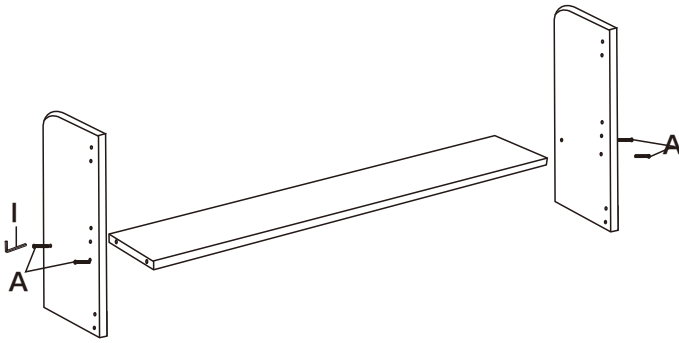


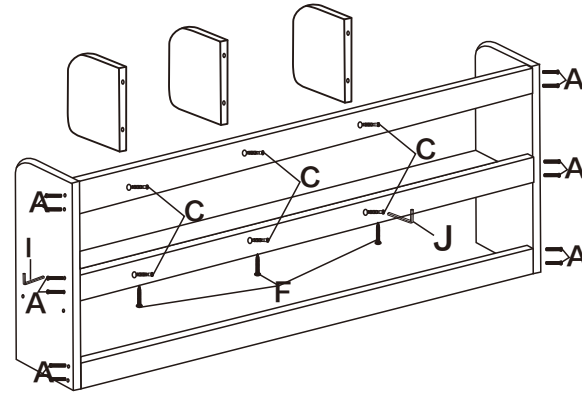
Installation diagram

Step1:



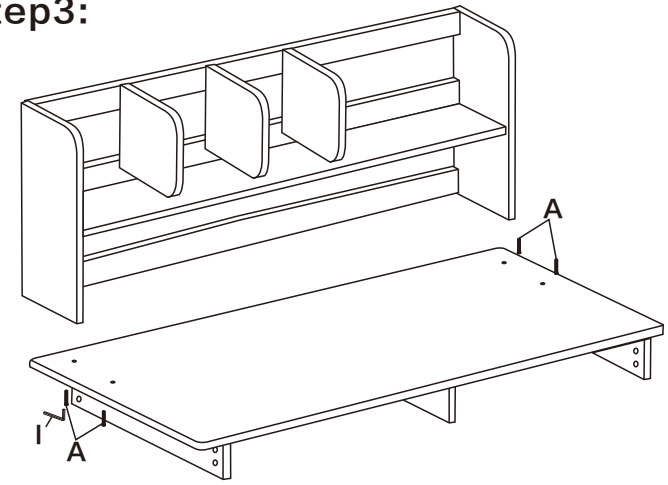
Use accessories **AH**

Step2:



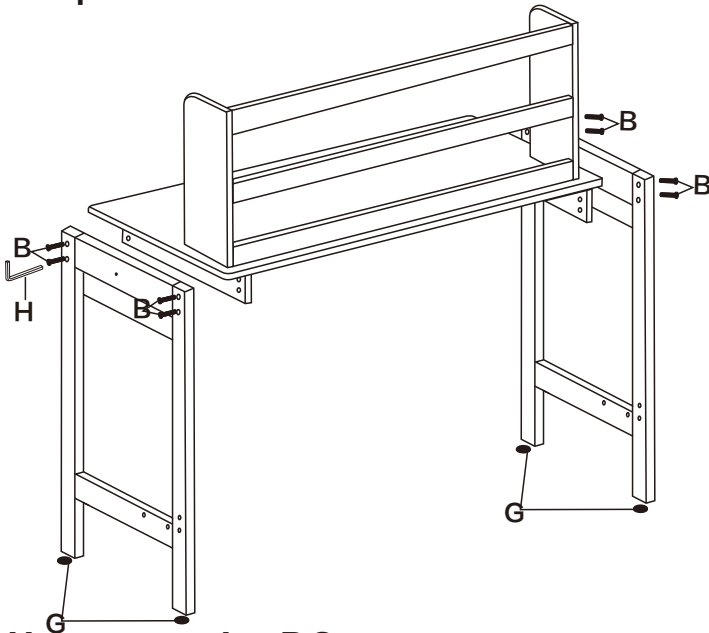
Use accessories **A CH J**

Step3:



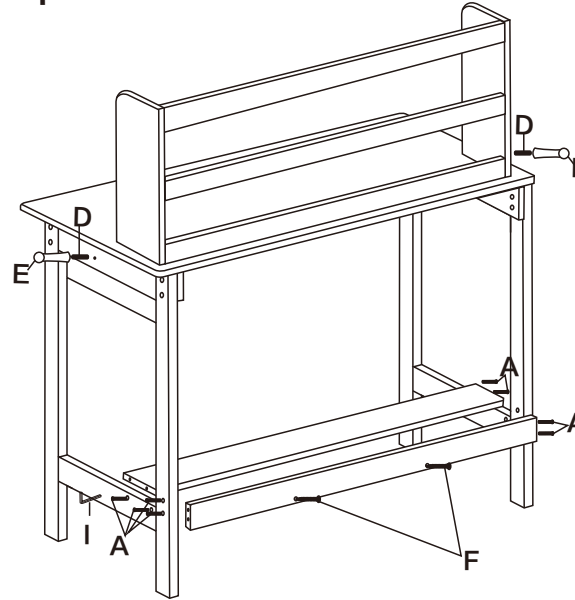
Use accessories **A I**

Step4:



Use accessories **B G**

Step5:



Use accessories **A EDF**

Step6:

