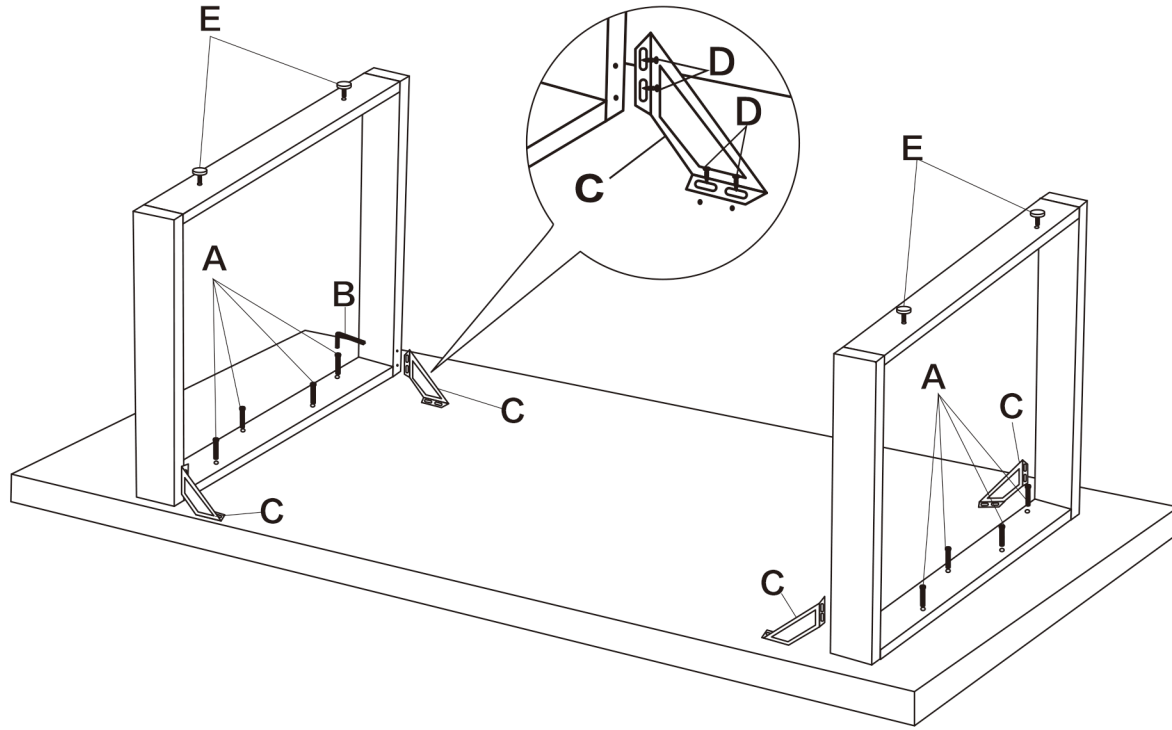
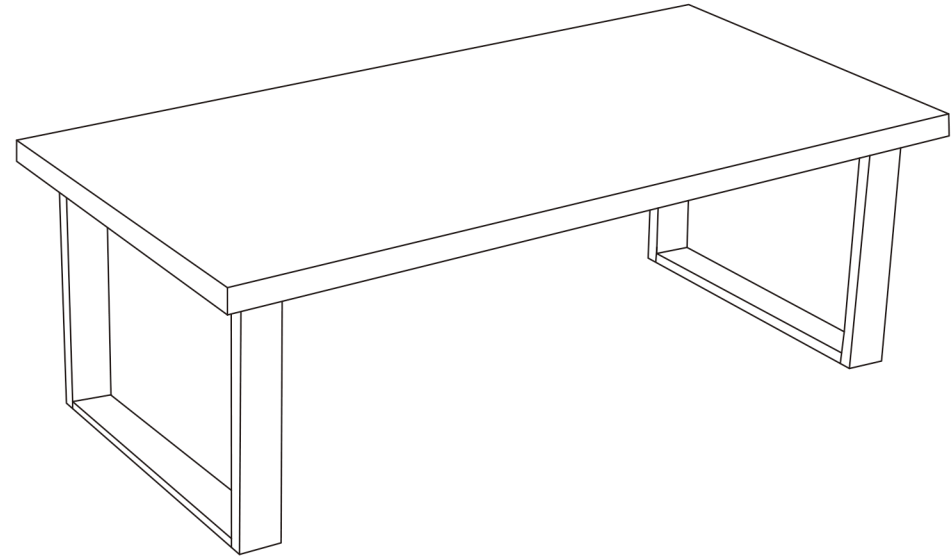


installation diagram

Step1:



Step2:



A

8pcs



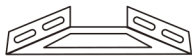
B

1pcs



C

4pcs



D

16pcs



E

4pcs

