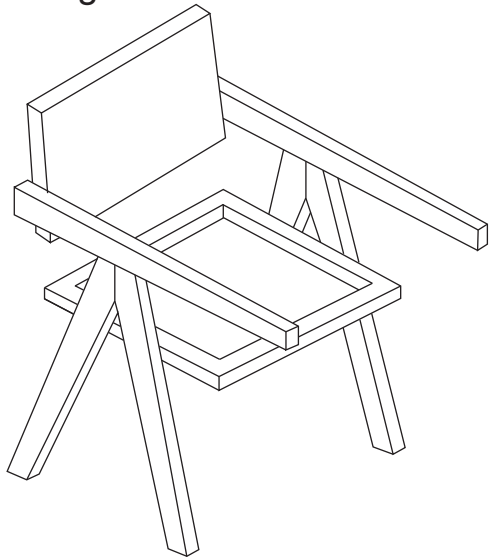
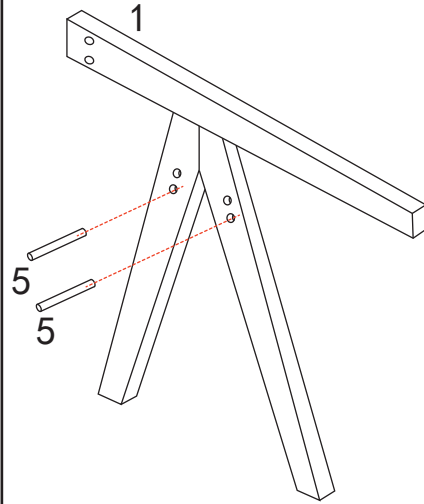


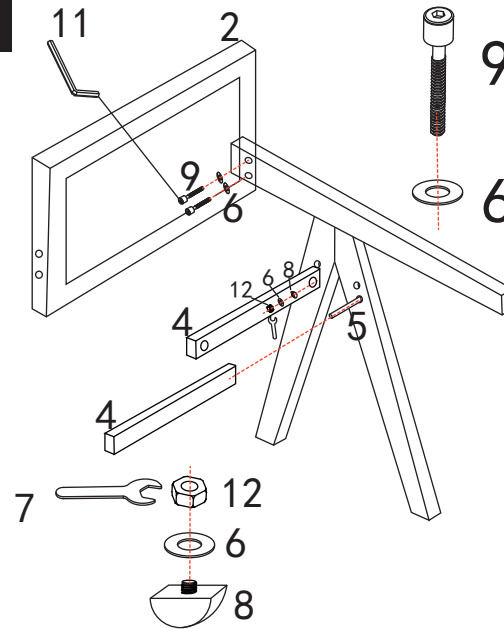
Chandigarh chair installation detail drawing



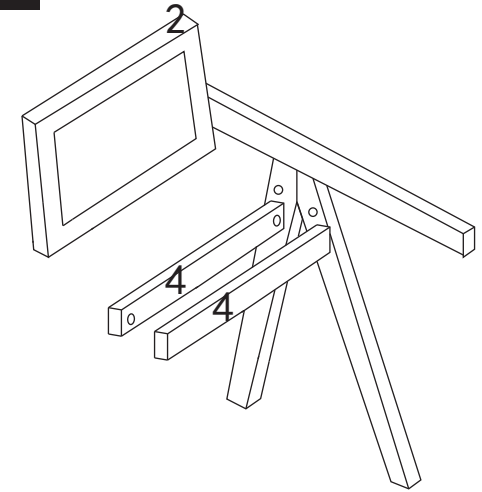
1



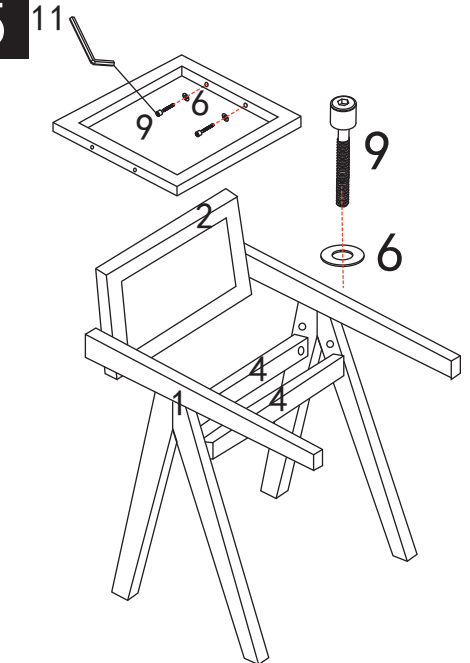
2



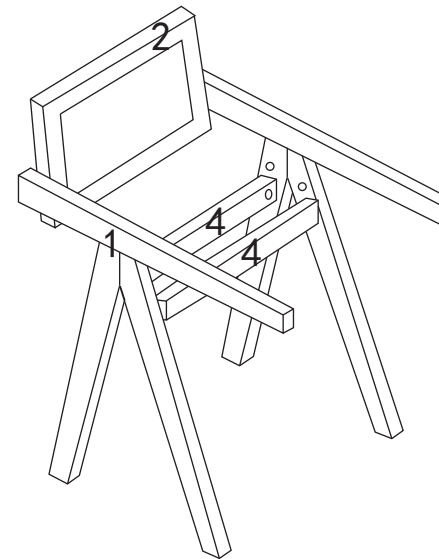
3



5

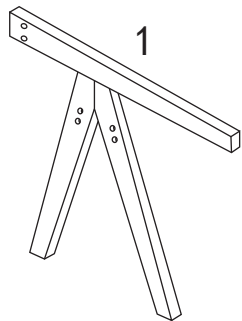


4



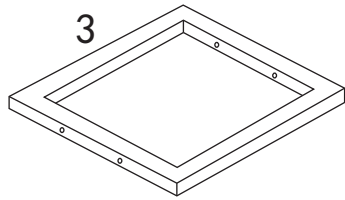
6

- Note: ① Do not tighten the screws when installing, and then tighten the screws after forming
 ② Replace the long and short ends of the Allen wrench with the short end
 ③ Align with the hole and then twist, easily double



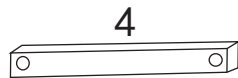
1

The armrest x2



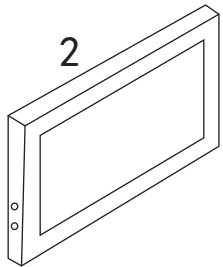
3

A box x2



4

Pull the x2



2

Backrest x1



5

Direct the x4



8

Half a crescent x4



11

Hexagon wrench X1



6

Gasket by 8



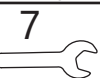
9

Screw by 8



12

Nut x4



7

Open spanner X1

10

MATS x4