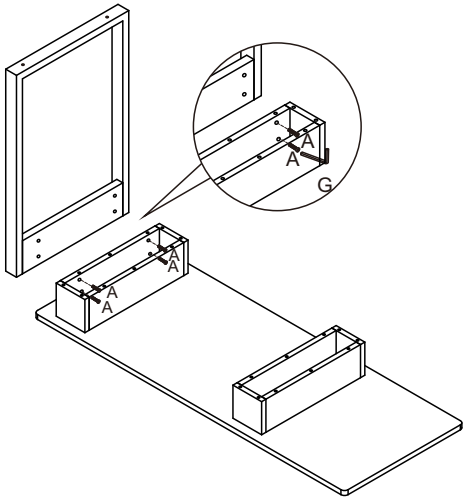
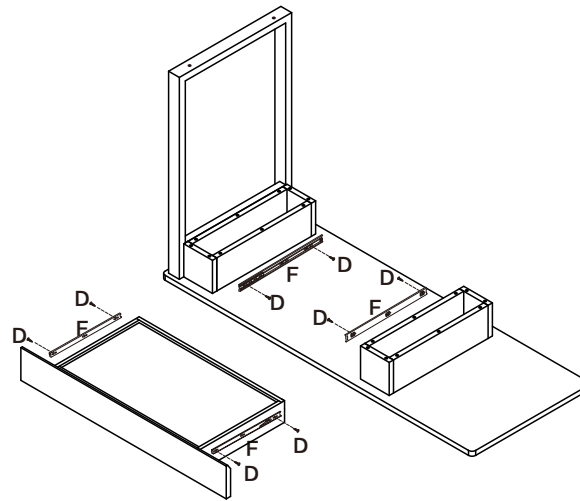


Installation diagram

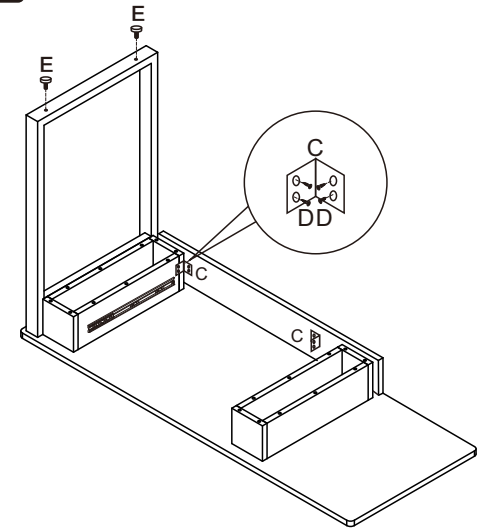
STEP1



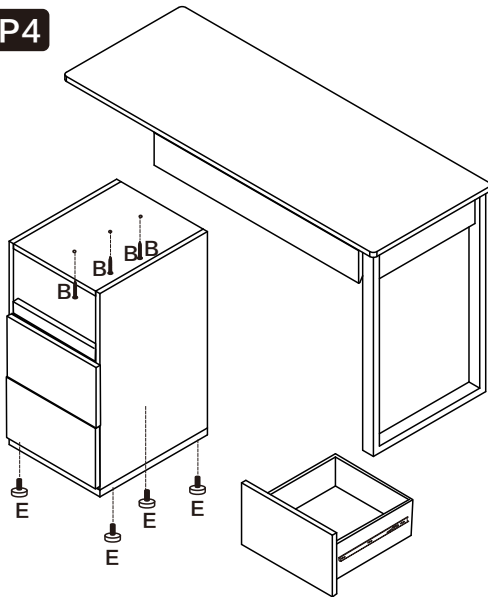
STEP2



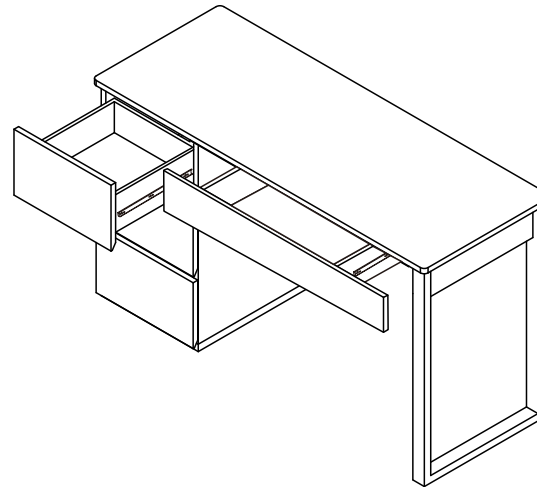
STEP3



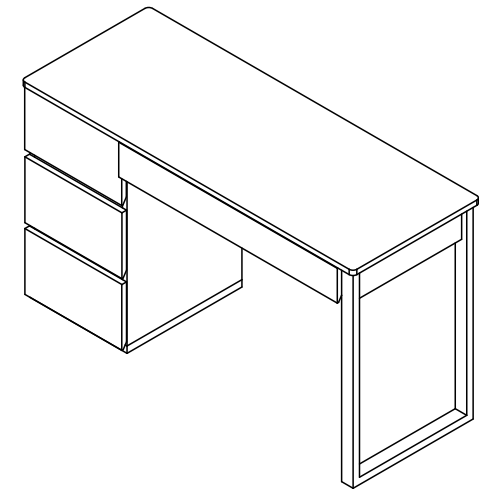
STEP4



STEP5



Finish



A 4pcs



B 3pcs



C 2pcs



D 24pcs



E 6pcs



F 2set



G 1pcs

