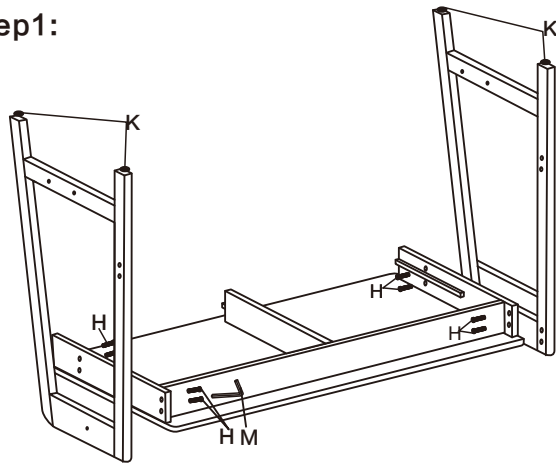


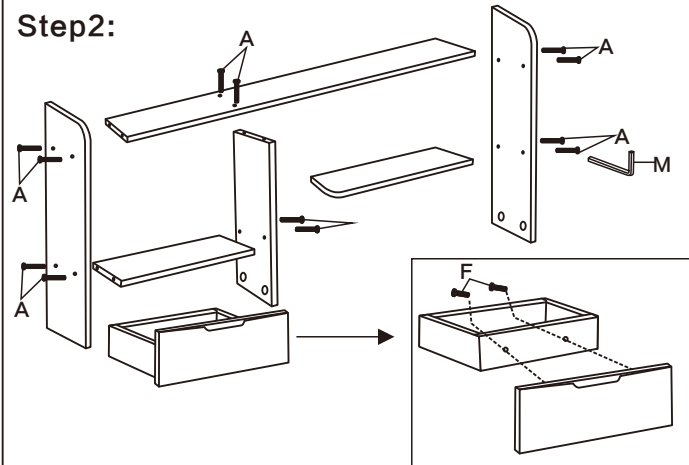
Installation diagram

Step1:



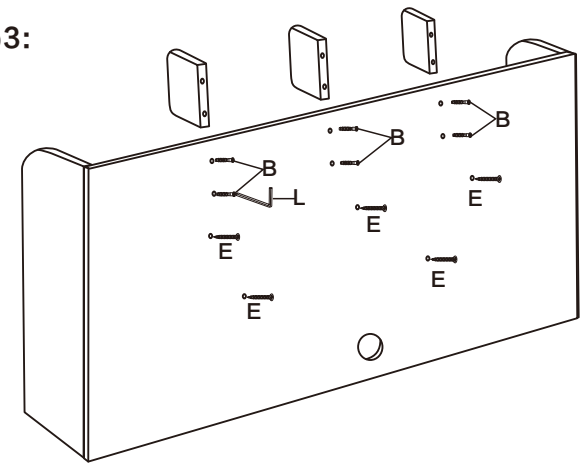
Use accessories H M K

Step2:



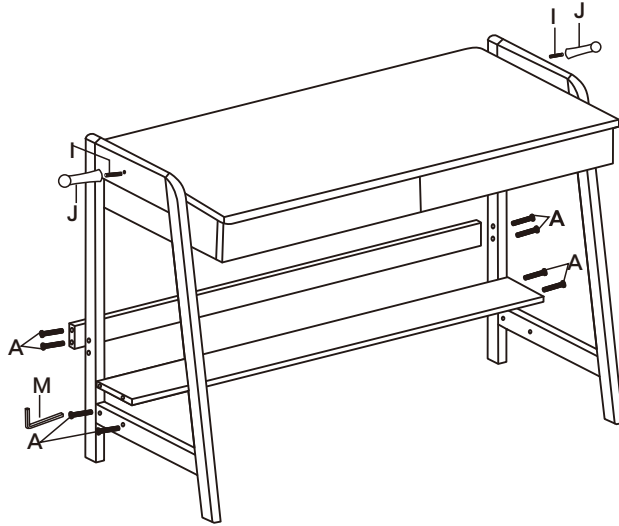
Use accessories A F M

Step3:



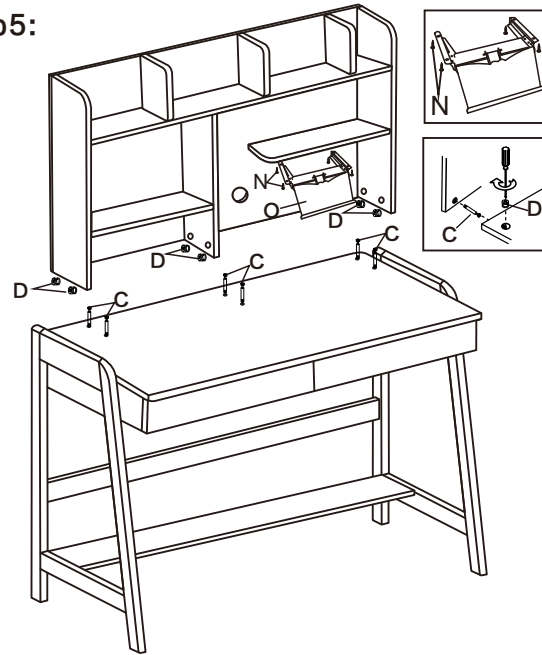
Use accessories B E L

Step4:



Use accessories A M I J

Step5:



Use accessories CDNO

Step6:

