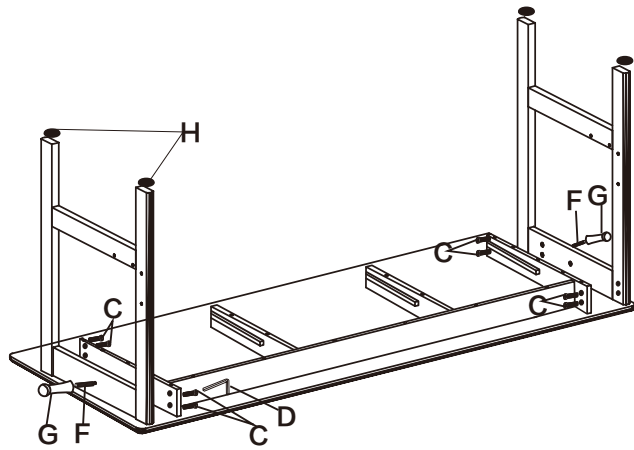


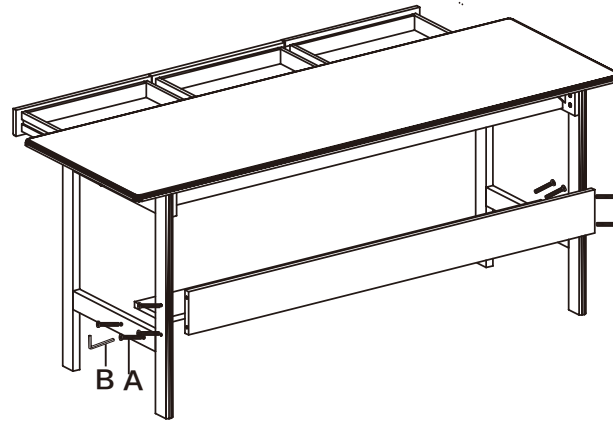
Installation diagram

Step1: Install table legs and hook rack



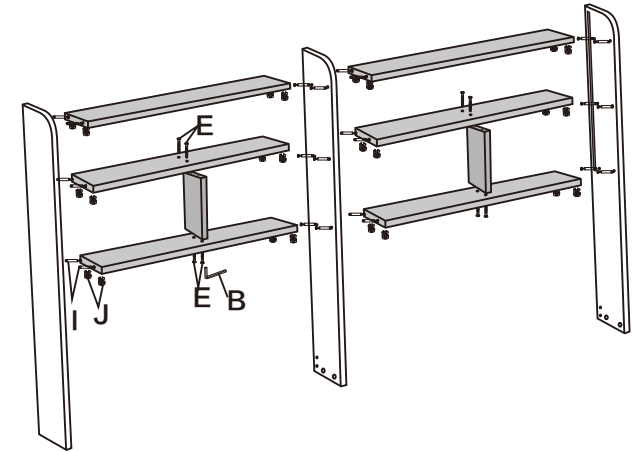
Use accessories CDFGH

Step2: Install shelving and place drawers



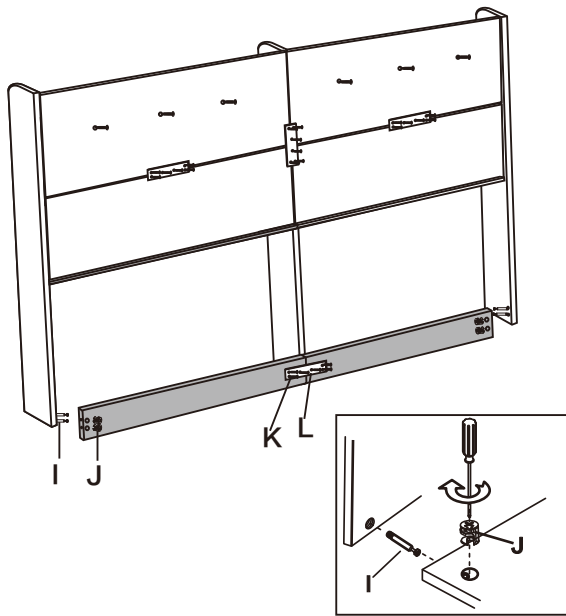
Use accessories AB

Step3: Install bookshelf



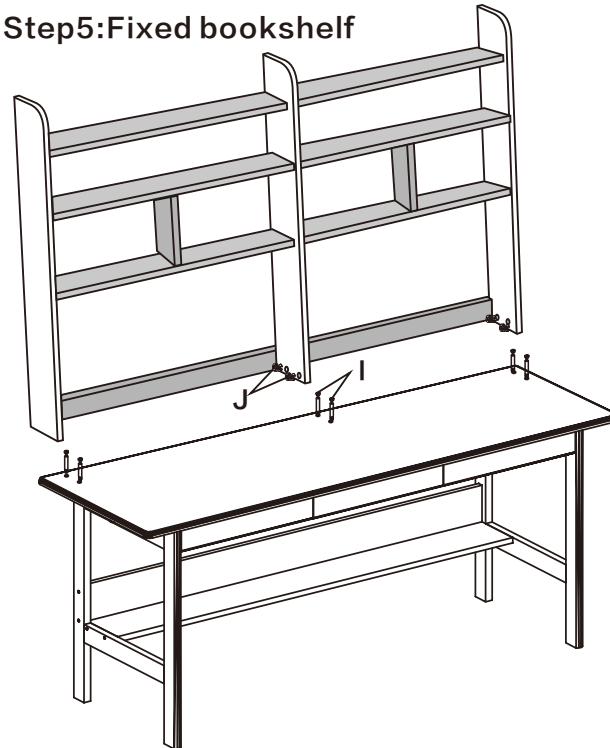
Use accessories EIJB

Step4: Install bookshelf backing



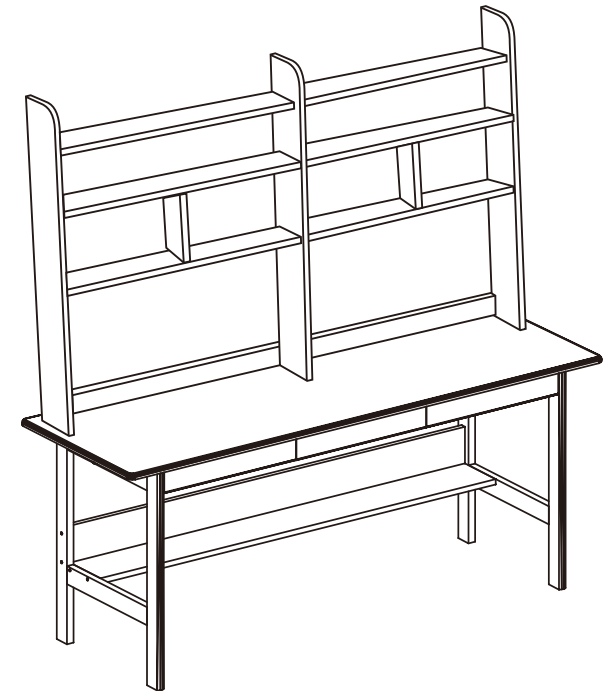
Use accessories IJKL













Step5: Fixed bookshelf



Use accessories IJ

Step4: Installation complete



- | | |
|---|-------|
| A | 8pcs |
|  | |
| B | 1pcs |
|  | |
| C | 8pcs |
|  | |
| D | 1pcs |
|  | |
| E | 8pcs |
|  | |
| F | 2pcs |
|  | |
| G | 2pcs |
|  | |
| H | 4pcs |
|  | |
| I | 34pcs |
|  | |
| J | 34pcs |
|  | |
| K | 4pcs |
|  | |
| L | 30pcs |
|  | |