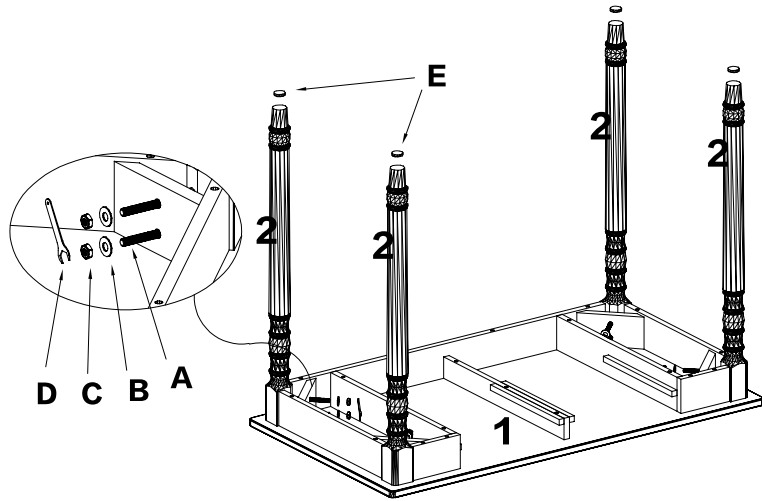


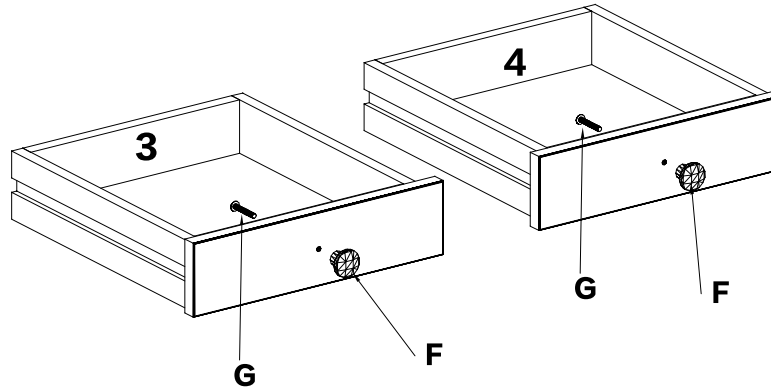
# Installation diagram

## Step1:Installtable leg



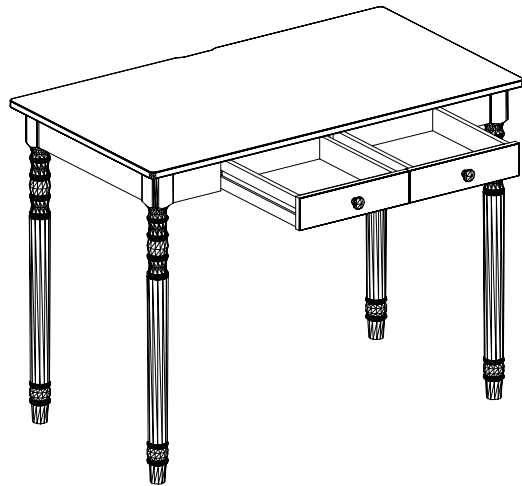
Use accessories A、B、C、D、E

## Step2:Install the handle

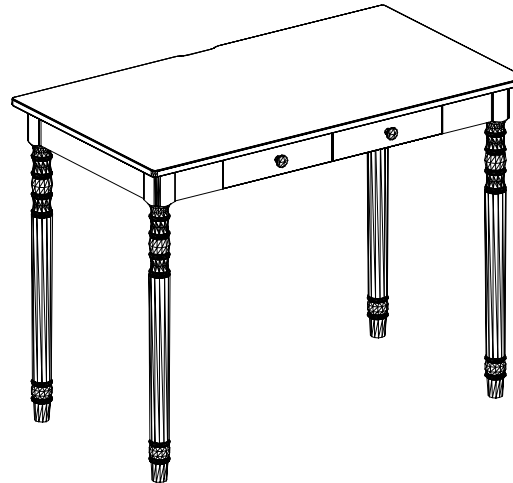









Use accessories G、F

## Step3 :Place the drawer



## Step4:Installation complete



	Parts List	pcs
A	 8*70	8
B	 M8	8
C	 M8	8
D		1
E		4
F		2
G	 4*32	2

S/N	Name	pcs
1	Desktop frame	1
2	Table leg	4
3	Left drawer	1
4	Right drawer	1