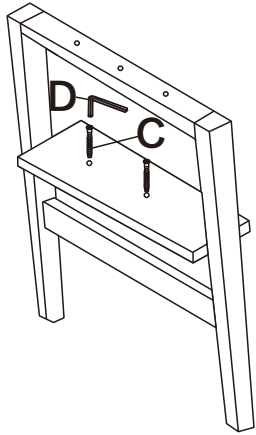


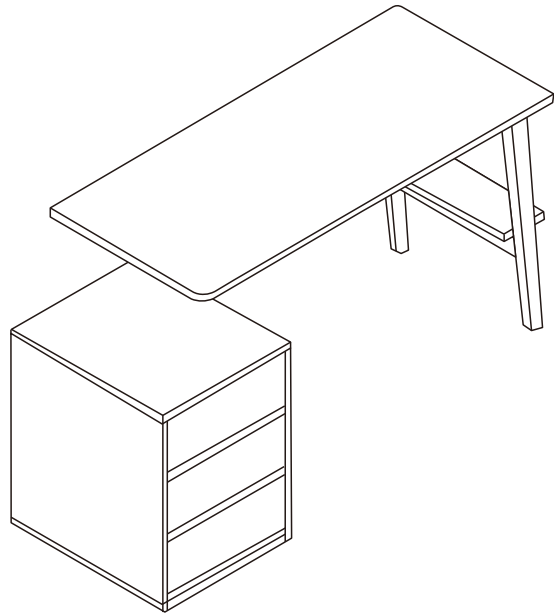
Installation diagram

Step1:Installation partition

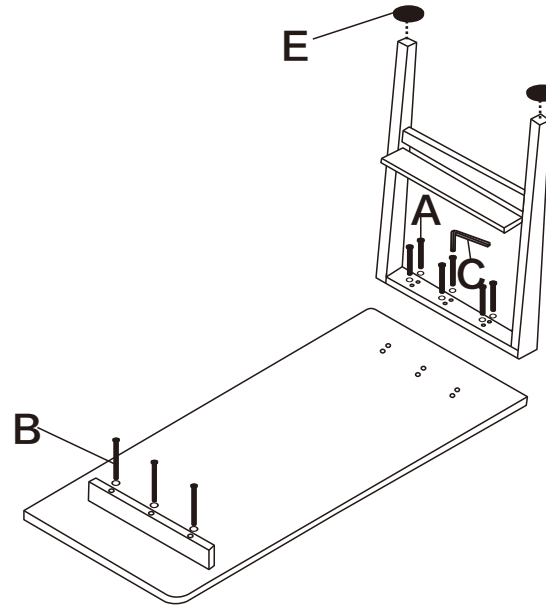


Use accessories C、 D

Step3 : Placed on a bookcase

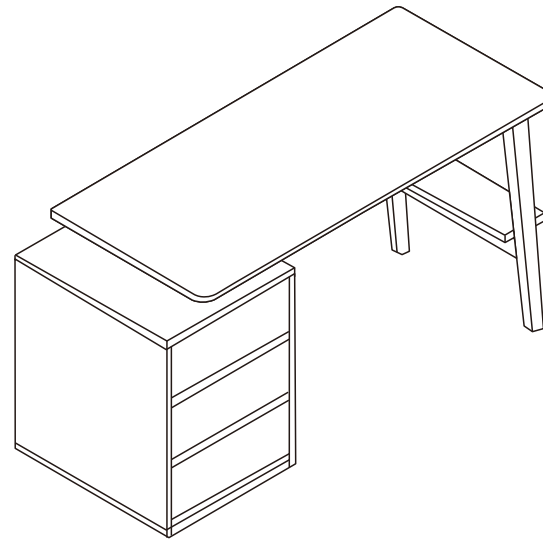







Step2:Install the supporting frame



Use accessories A、 B、 C、 D

Step4:installation complete



	Parts List	pcs
A		6
B		3
C		2
D		1
E		2