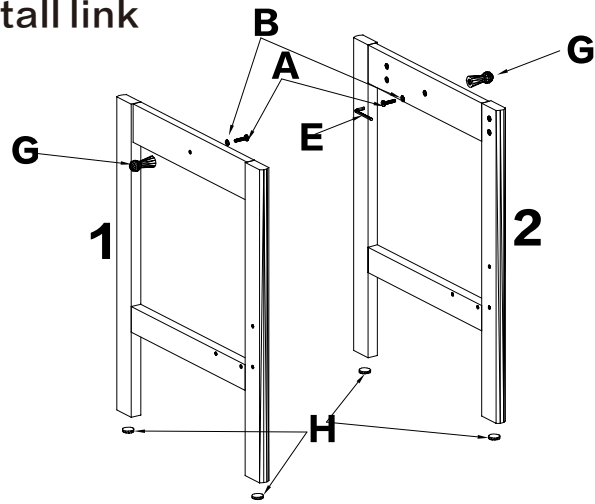


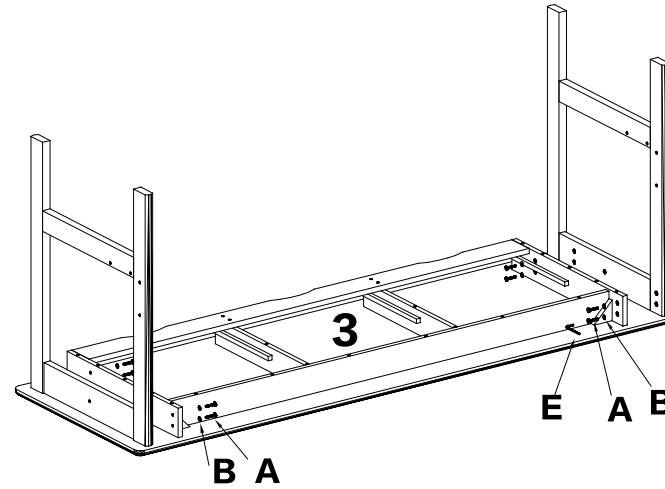
Installation diagram

Step1: Install link



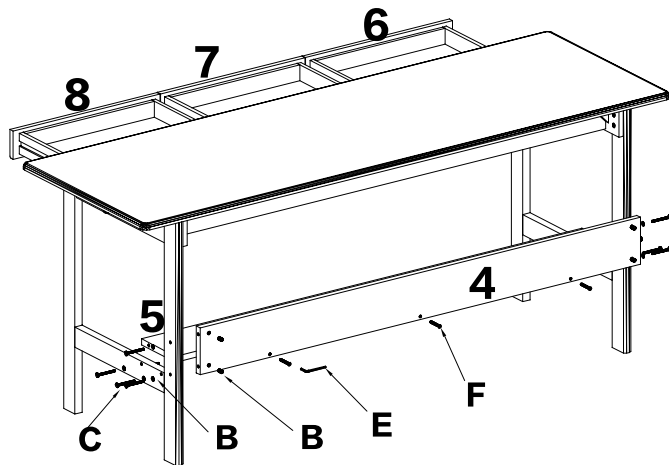
Use accessories A B E G H

Step2: Install the left and right tripods.



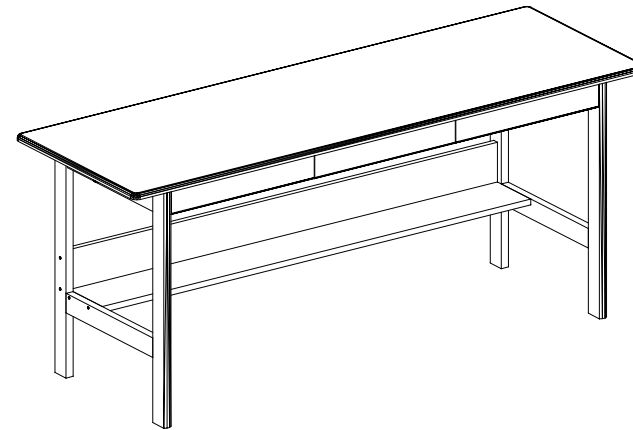
Use accessories A B E

Step3 : Install lower straps, shelving boards, drawers



Use accessories B C D E F

Step4: Installation complete



	Parts List	pcs
1	Left leg rest	1
2	Right pod	1
3	Desktop frame	1
4	Bottom brace	1
5	Floating shelf	1
6	Left drawer	1
7	Middle drawer	1
8	Left drawer	1

A 11pcs



B 18pcs



C 9pcs



D 9pcs



E 1pcs



F 3pcs



G 2pcs



H 4pcs

