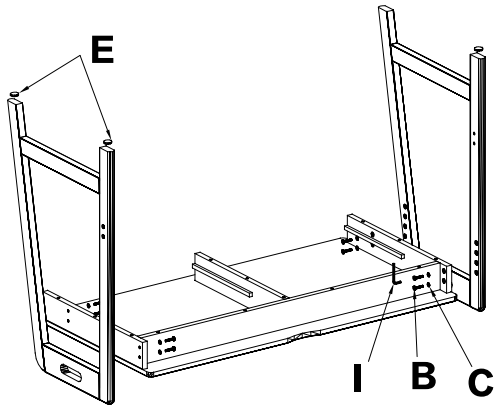


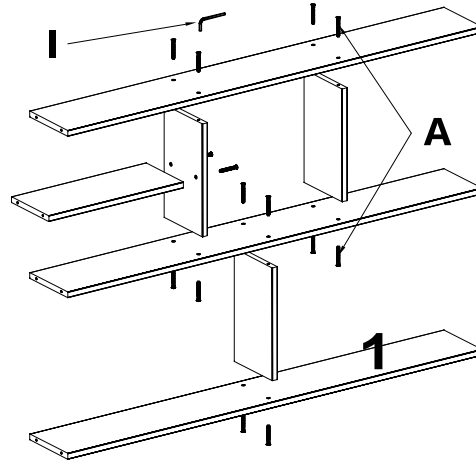
# Installation diagram

Step1: Install the left and right tripods



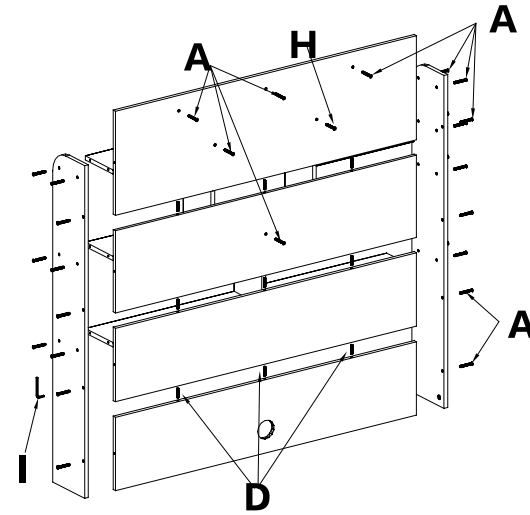
Use accessories E、I、B、C

Step2: Install bookshelf interior panels



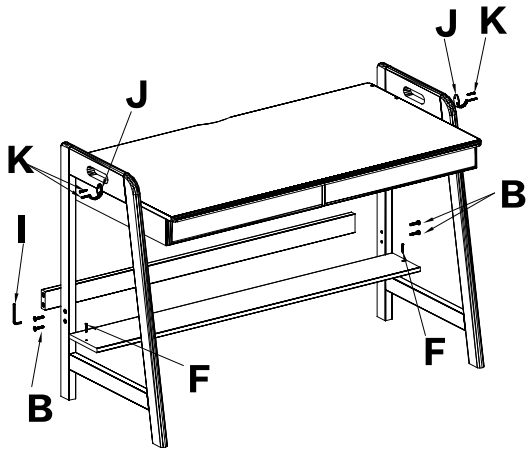
Use accessories A、I、

Step3: Install the outer panel and backplane



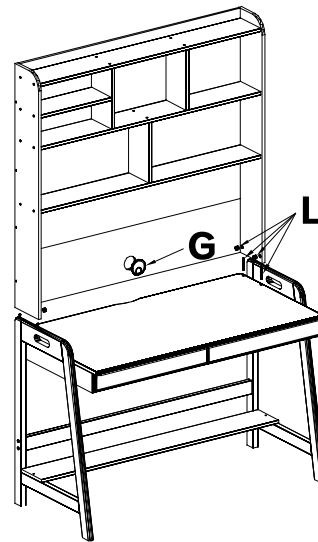
Use accessories A、D、H、I、

Step4: Install brace tracking boards hooks, and drawers.



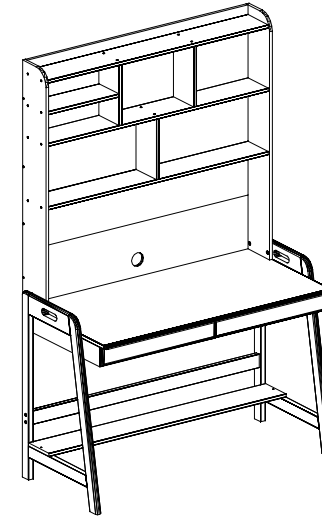
Use accessories J、K、B、F、I、

Step5: Place bookshelf hooks



Use accessories G、L、

Step6: Installation complete



Parts List pcs

A		7*38	42
B		6*30	10
C		M6	10
D		6*30	10
E		25#	4
F		4*30	2
G		40#	4
H		7*30	1
I		4#	1
J			2
K		3.5*12	4
H			1