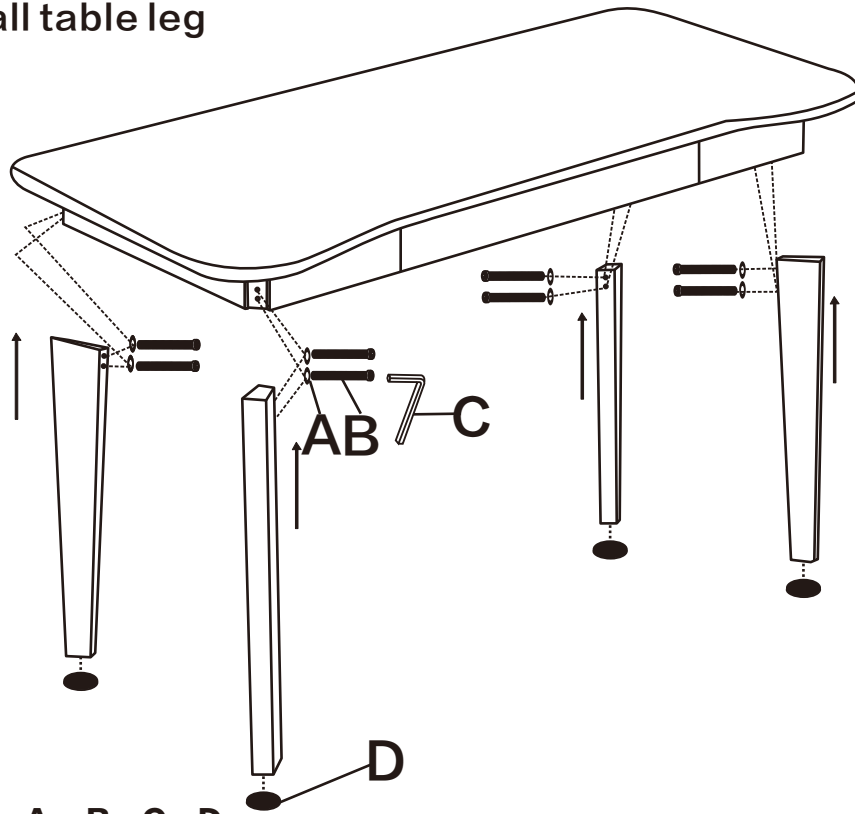
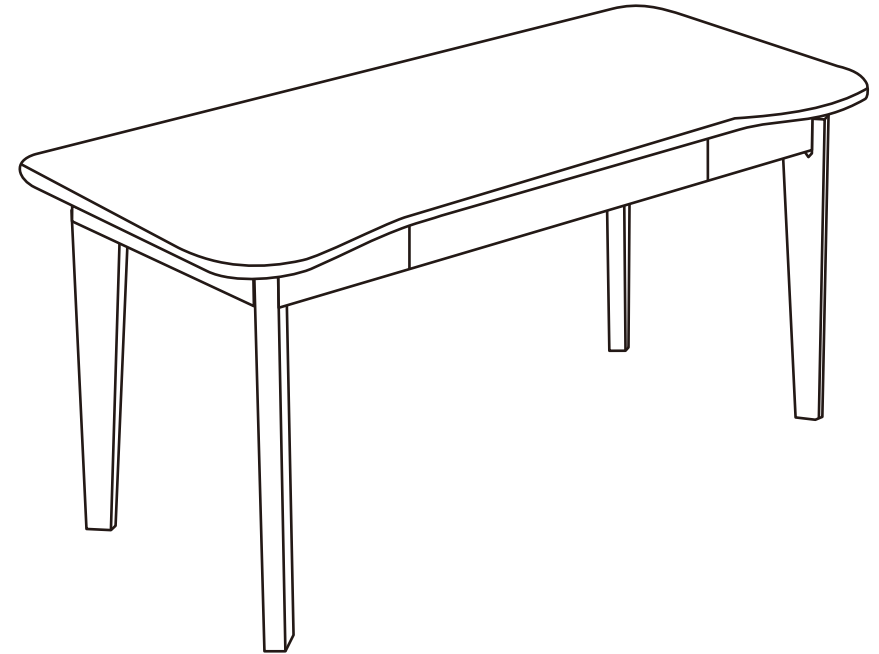


# Installation diagram

## Step1: Install table leg

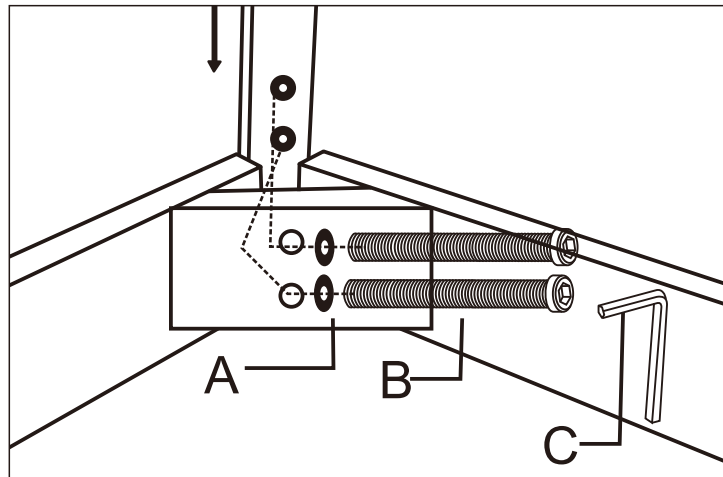






## Step3 : Installation complete



Use accessories A、 B、 C、 D、

## Table leg installation method



	Parts List	pcs		Parts List	pcs
A		8	C		1
B		8	D		4