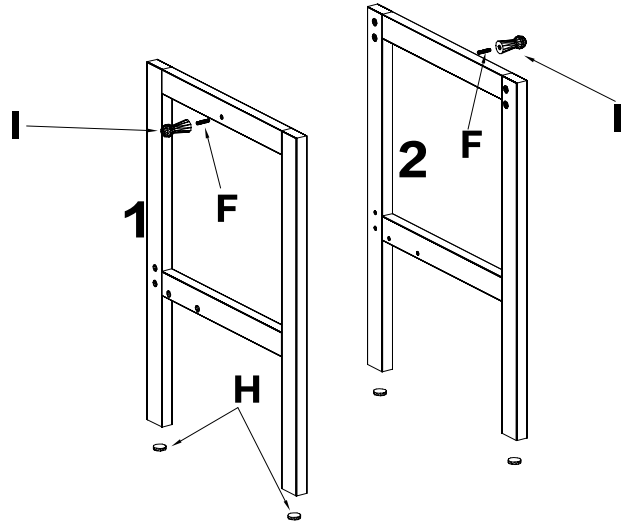


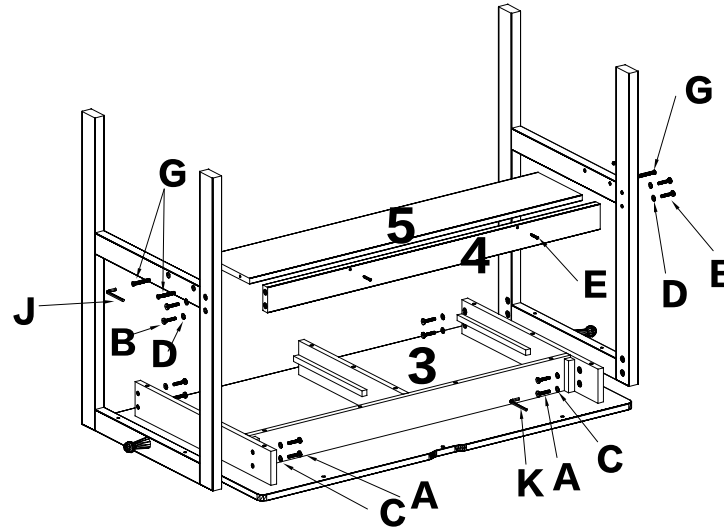
Installation diagram

Step1: Mounting hook



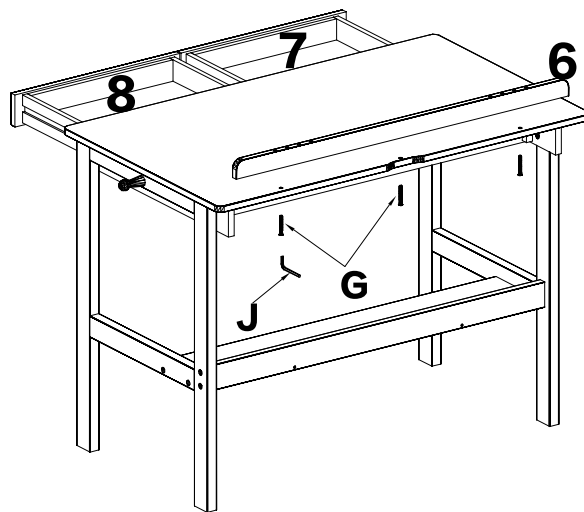
Use accessories F、H、I

Step2: Install left and right tripod, lower brace, storage board



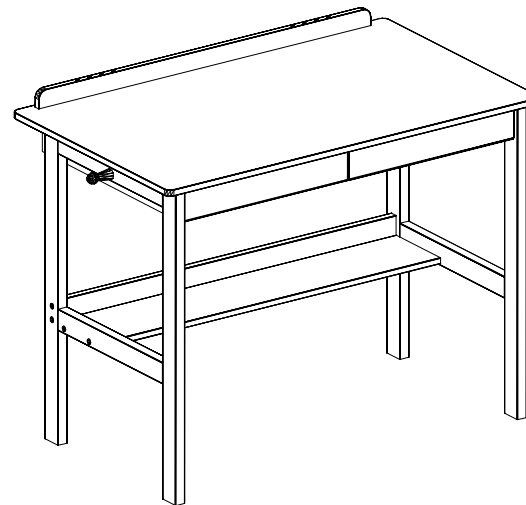
Use accessories A、B、C、D、E、G、J、K

Step3 :Install decorative panels, drawers



Use accessories G、J

Step4: Installation complete



	Parts List	pcs
A	8*30	9
B	6*35	5
C	M8	9
D	M6	5
E	6*35	2
F	6*30	2
G	7*38	8
H	25#	4
I	hook	2
J	4#	1
K	5#	1

S/N	Name	pcs
1	Left leg rest	1
2	Right pod	1
3	Desktop frame	1
4	Bottom brace	1
5	Floating shelf	1
7	Decorative plate	1
8	Left drawer	1
9	Right drawer	1