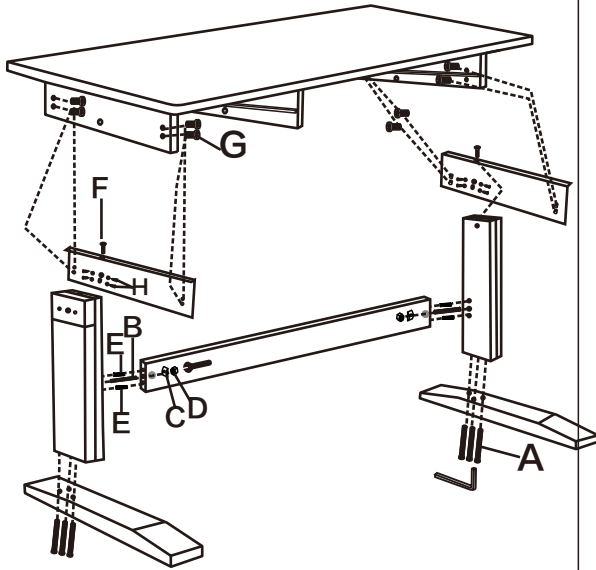


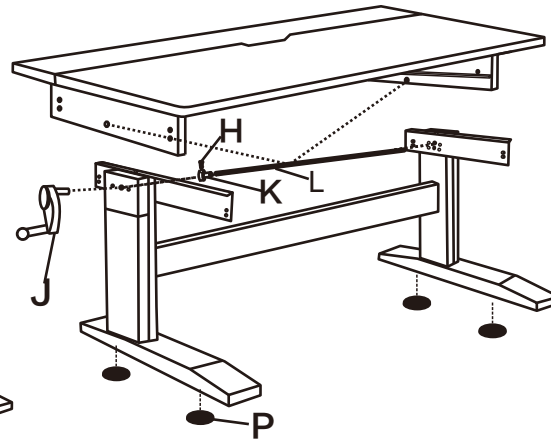
Installation diagram

Step1: Install table leg



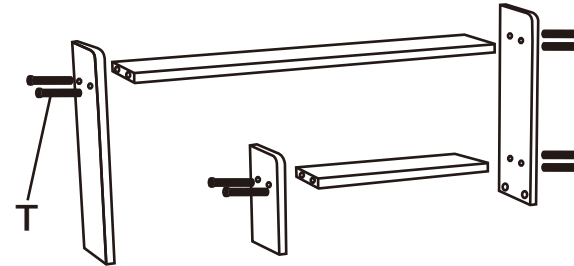
Use accessories ABCDEFG

Step2: Install the hand rocker through the table leg



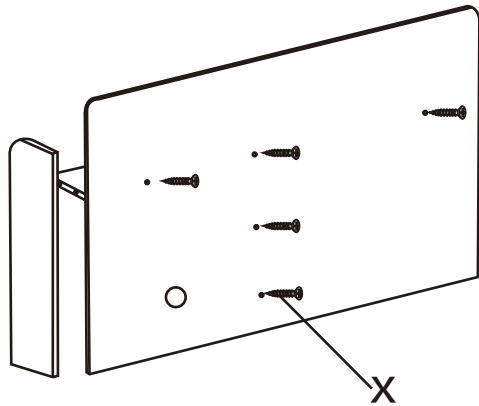
Use accessories HKLJP

Step3: Install bookshelf laminate



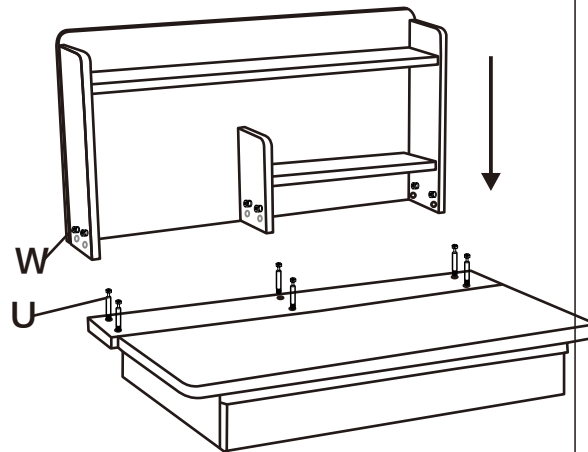
Use accessories T

Step4: Install bookshelf backing



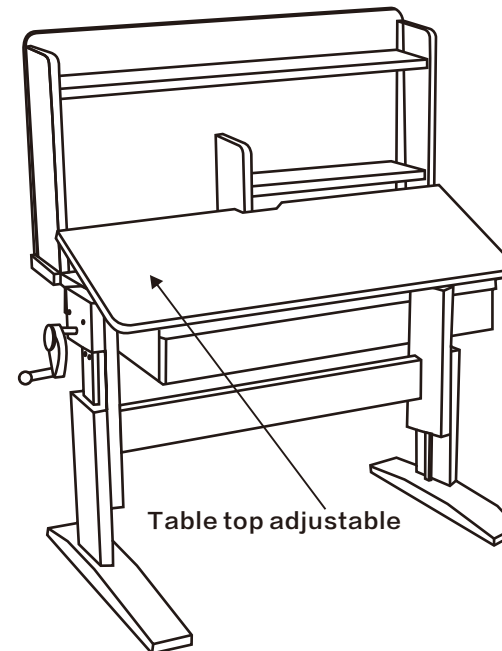
Use accessories T

Step5: Connect the bookshelf to the desk



Use accessories U, W.

Step6: Installation complete



	Parts List	pcs
A		6
B		2
C		2
D		2
E		2
F		2
G		8
H		6
J		1
K		1
L		1
M		2
N		1
P		4
R		1
S		S

	Bookshelf	pcs
T		8
U		6
W		6
X		5