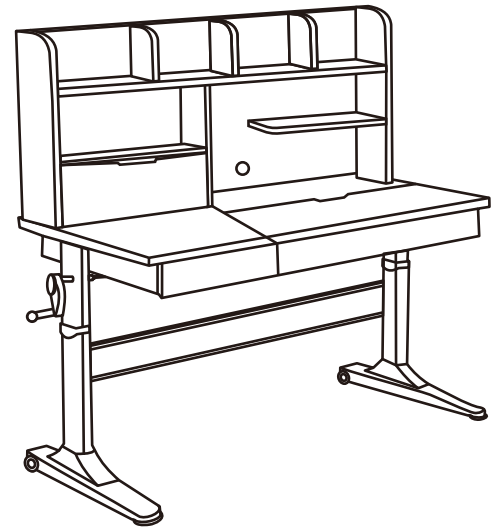
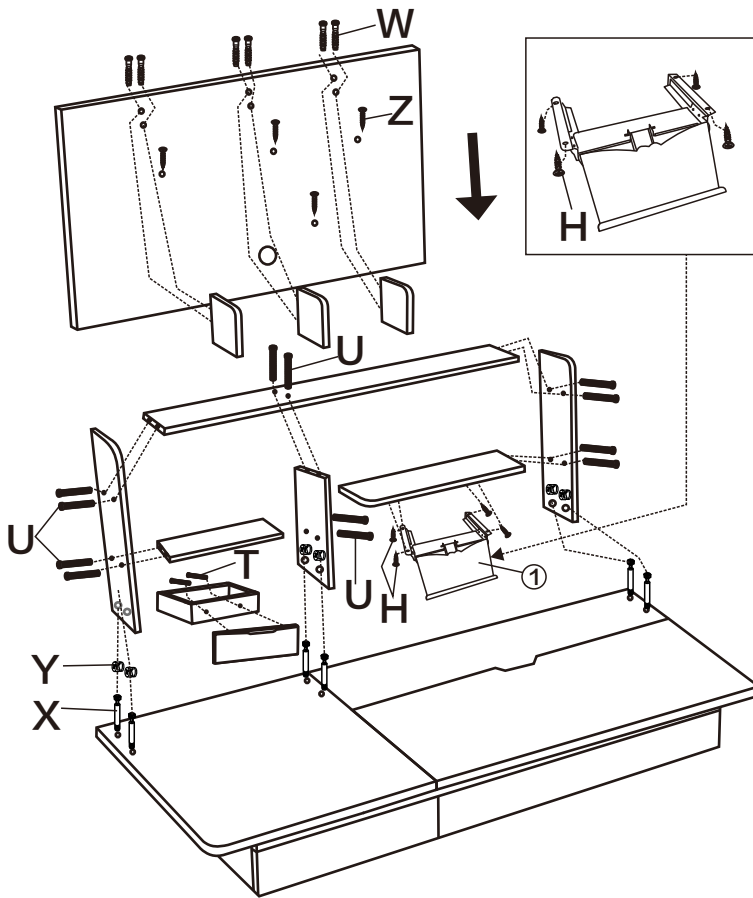
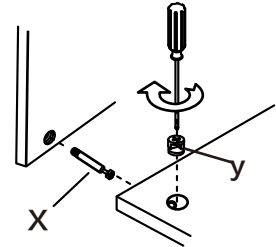


# Desk installation diagram

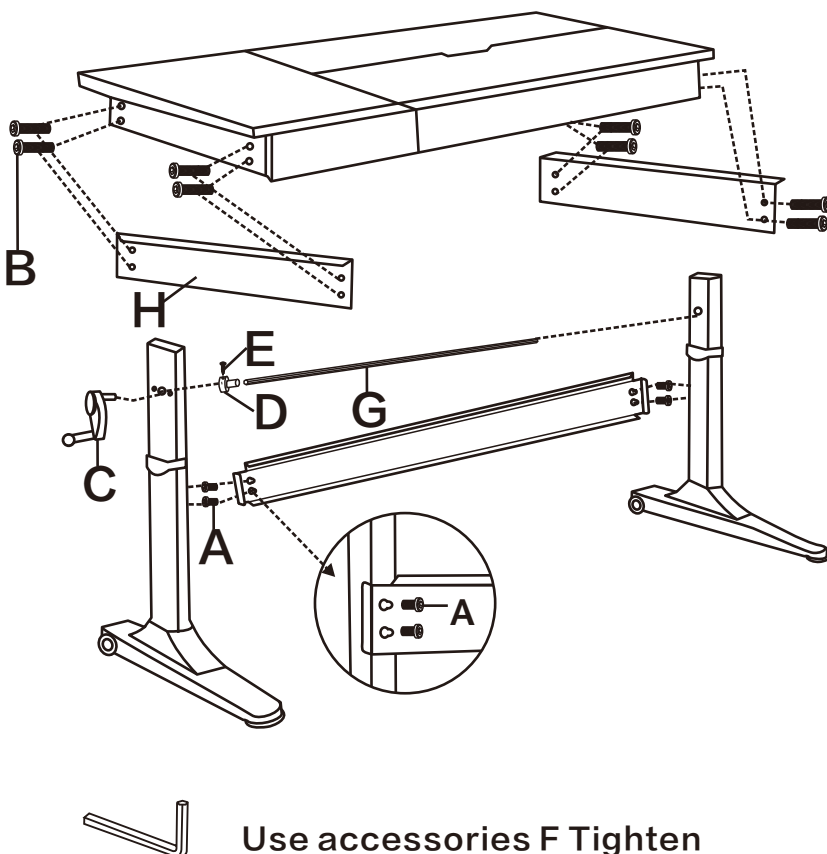
[ 2 ] Install the bookshelf as shown



Place accessories X and Y into the hole  
Tighten with a screwdriver



[ 1 ] Install the desk according to the diagram



	Bookshelf	pcs		Bookshelf	pcs
T		2	Z		6
U		12	H		5
W		6	①		1
X		6			
Y		6			

	Desk	pcs		Desk	pcs
A		4	F		1
B		4	G		1
C		1	H		1
D		1	J		1
E		1	K		1