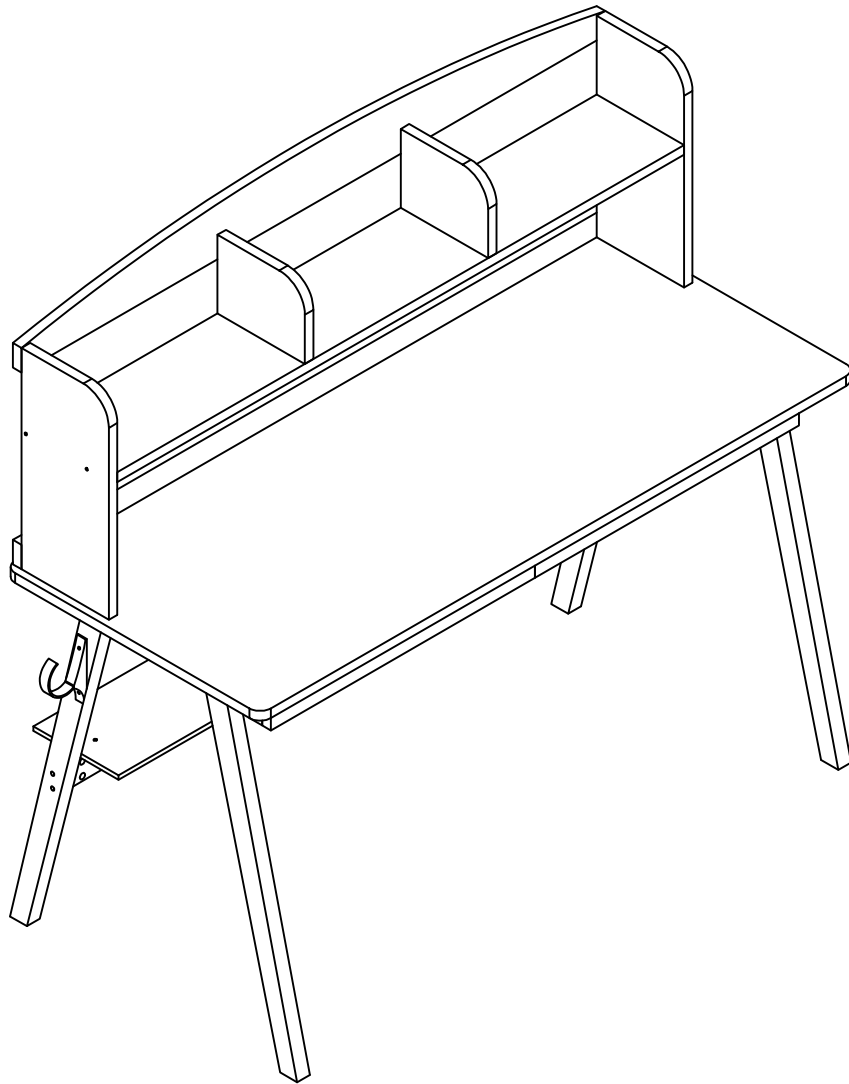
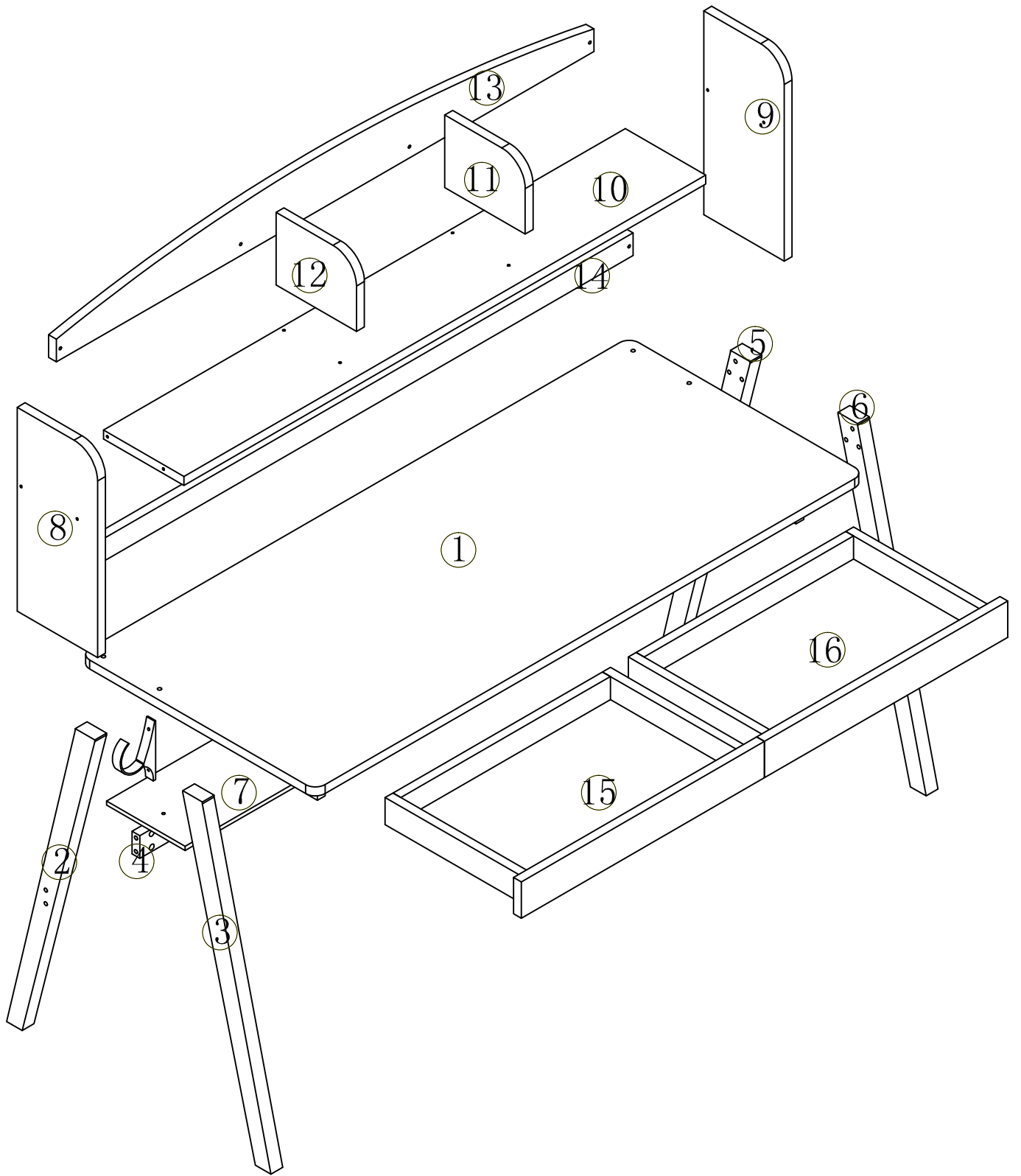
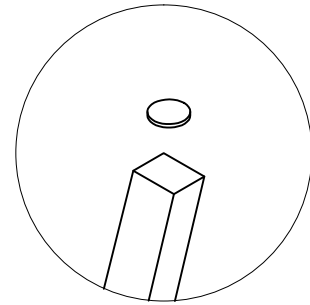
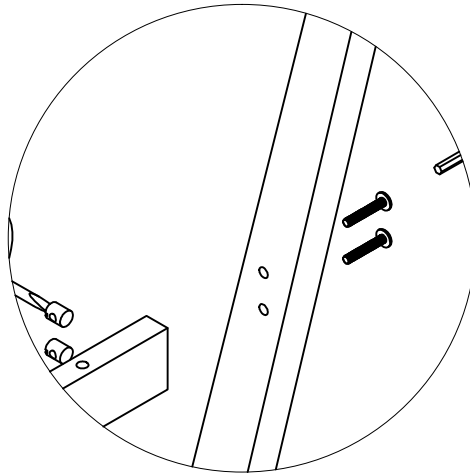
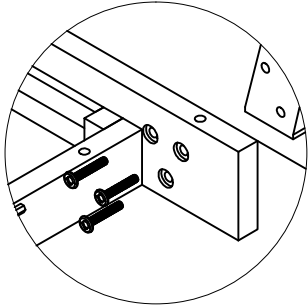
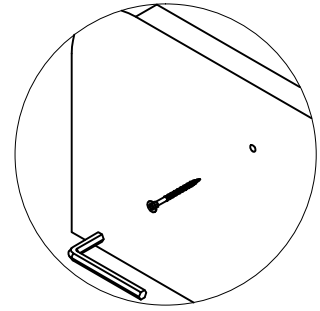
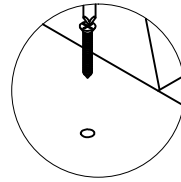
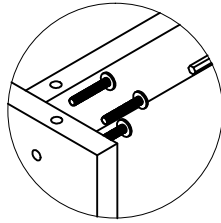
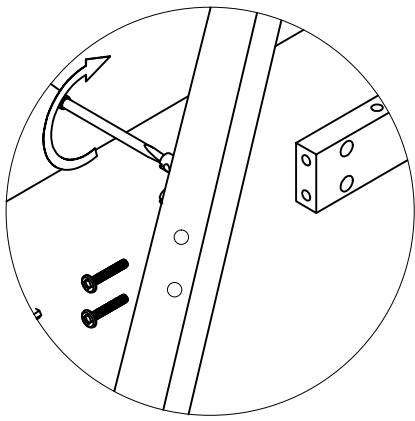


table










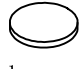
instruction manual



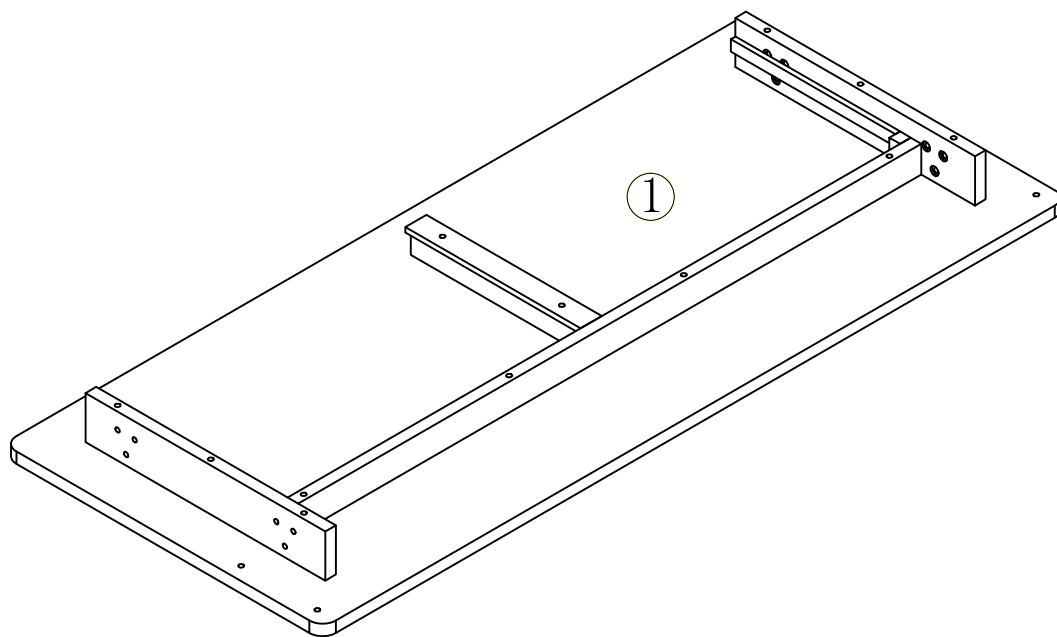




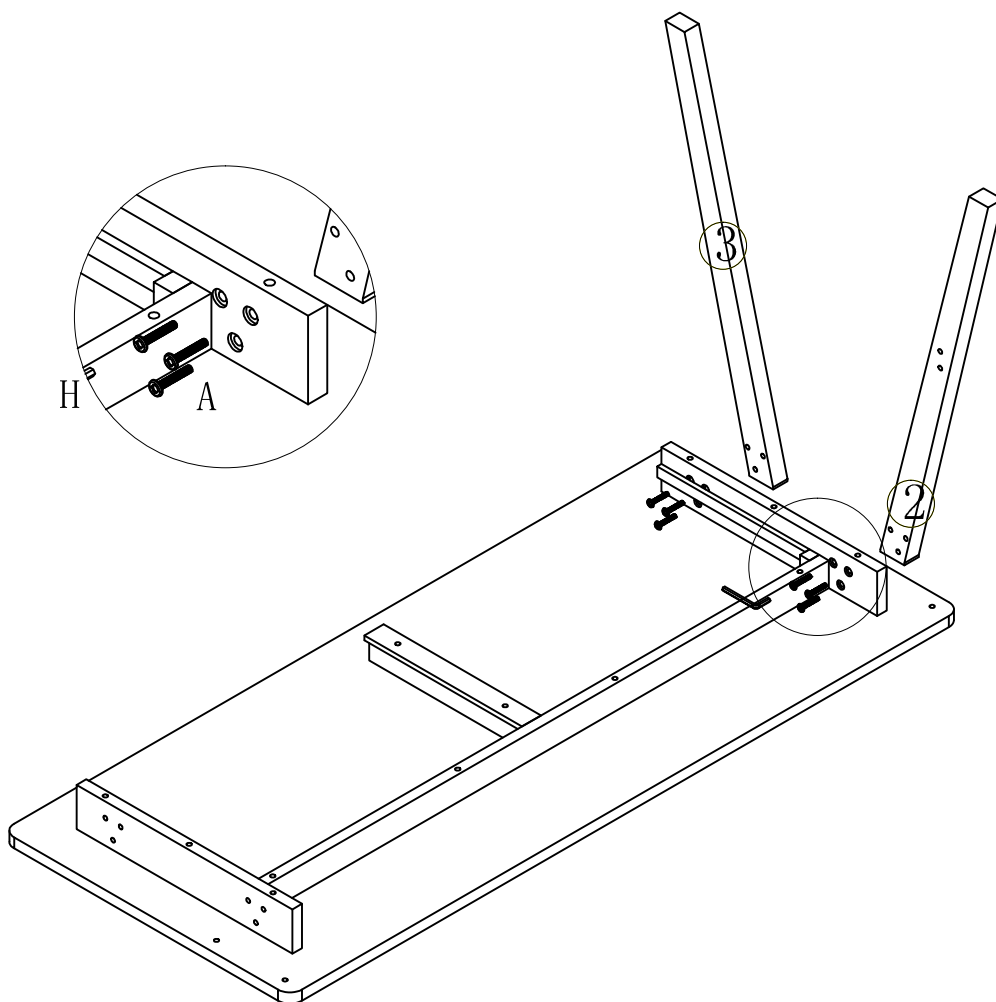
Accessories

			 screw A	 Hammer screw B	 Self-tapping thread C
 Self-tapping thread D	 Self-tapping thread E	 Self-tapping thread F	 G	 inner hexagon spanner H	 coupler I
 door mat J					

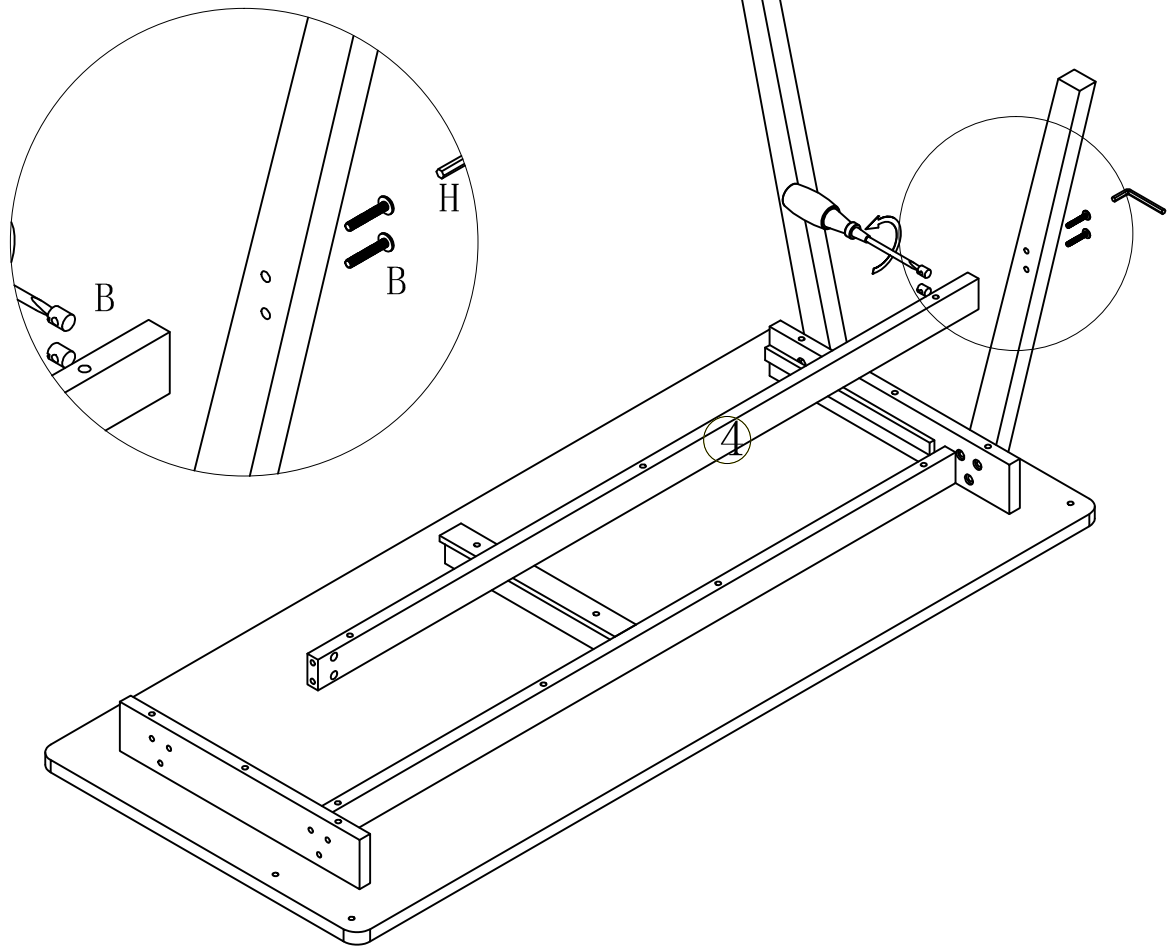
Step1



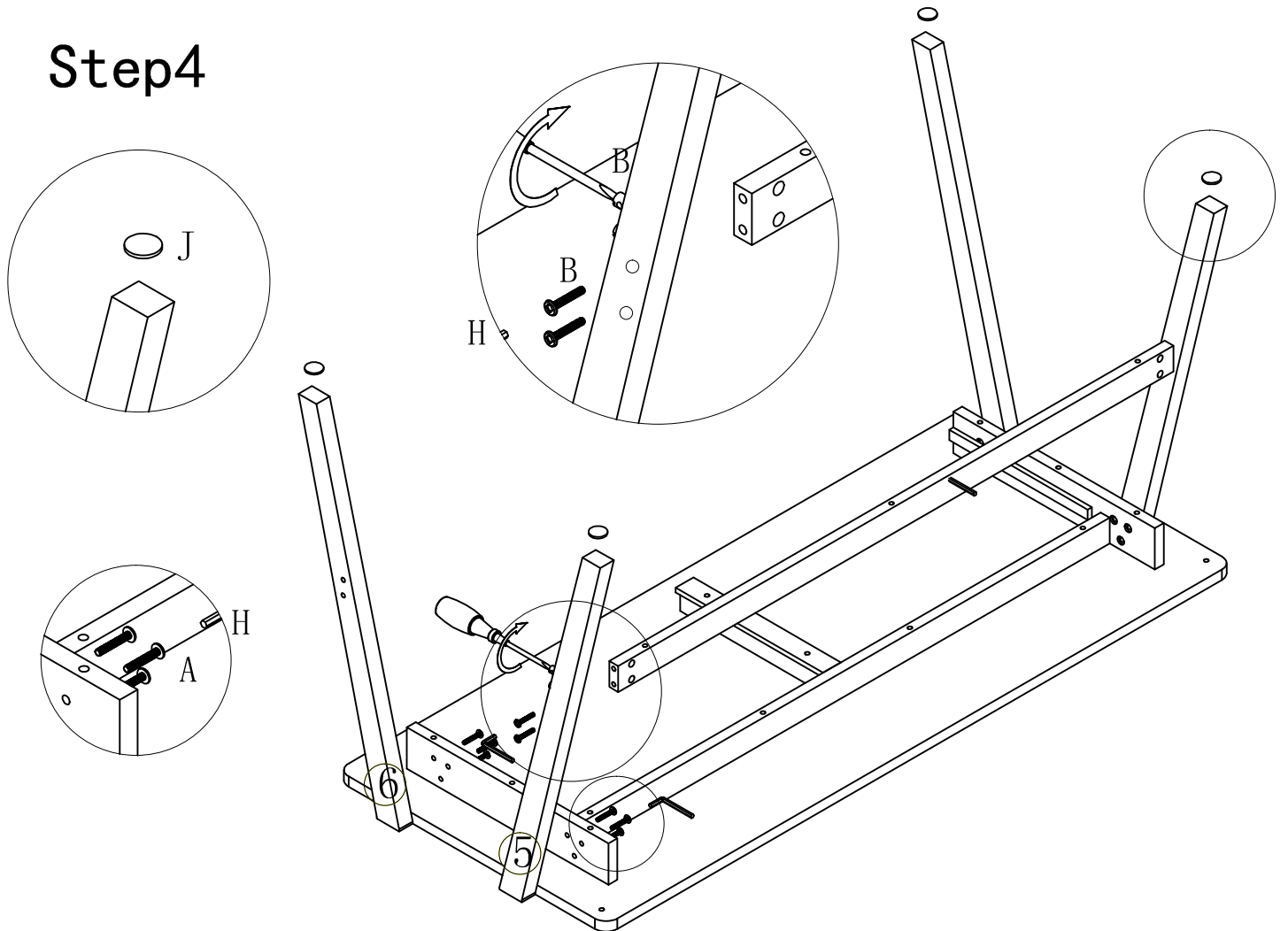
Step2



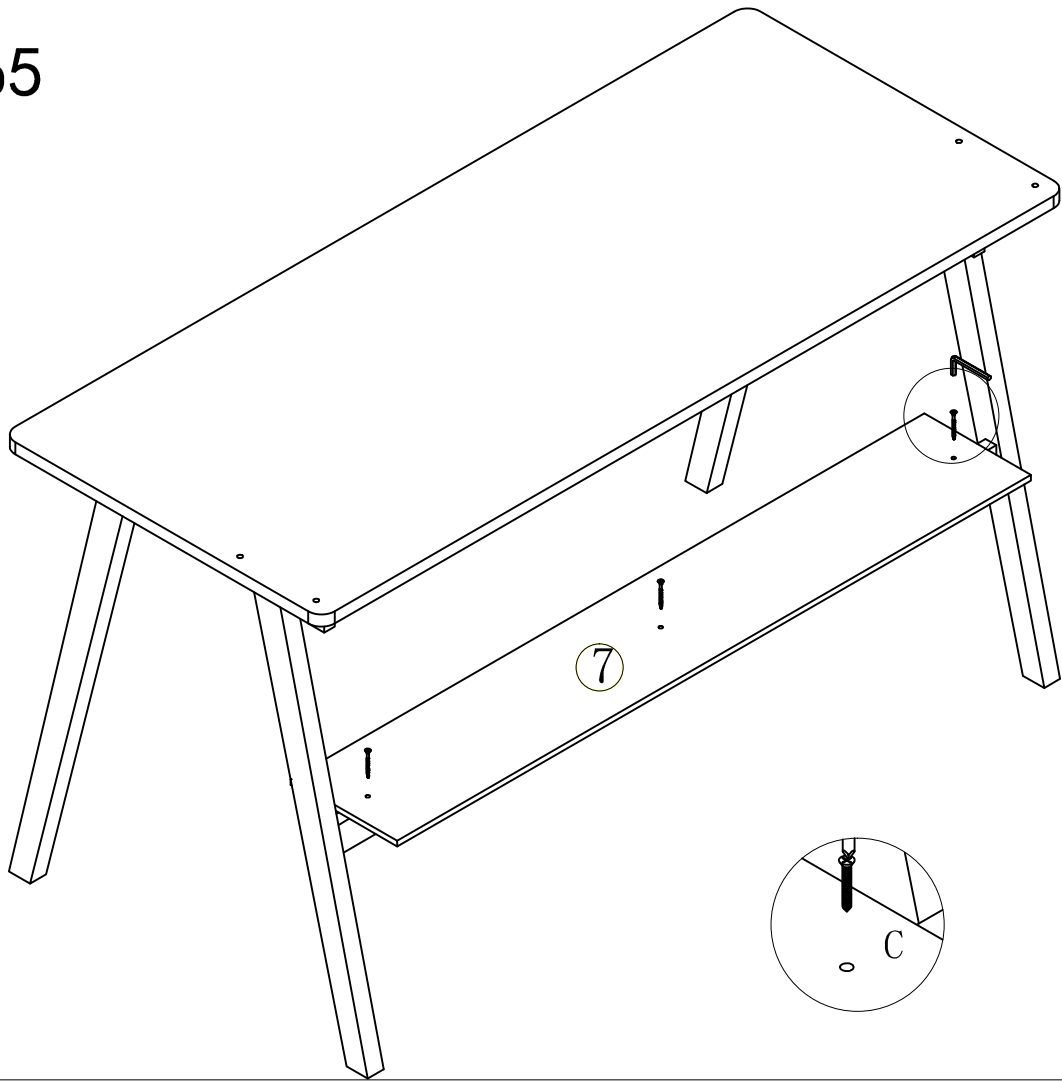
Step3



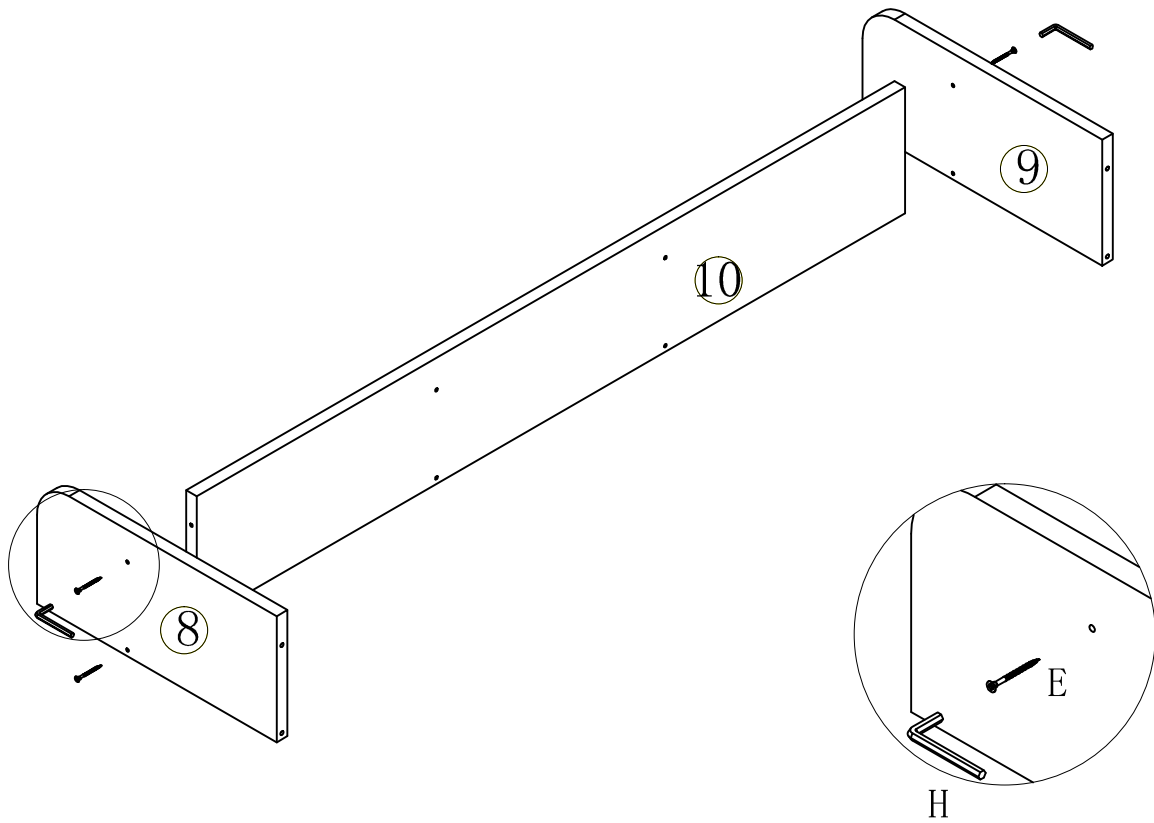
Step4



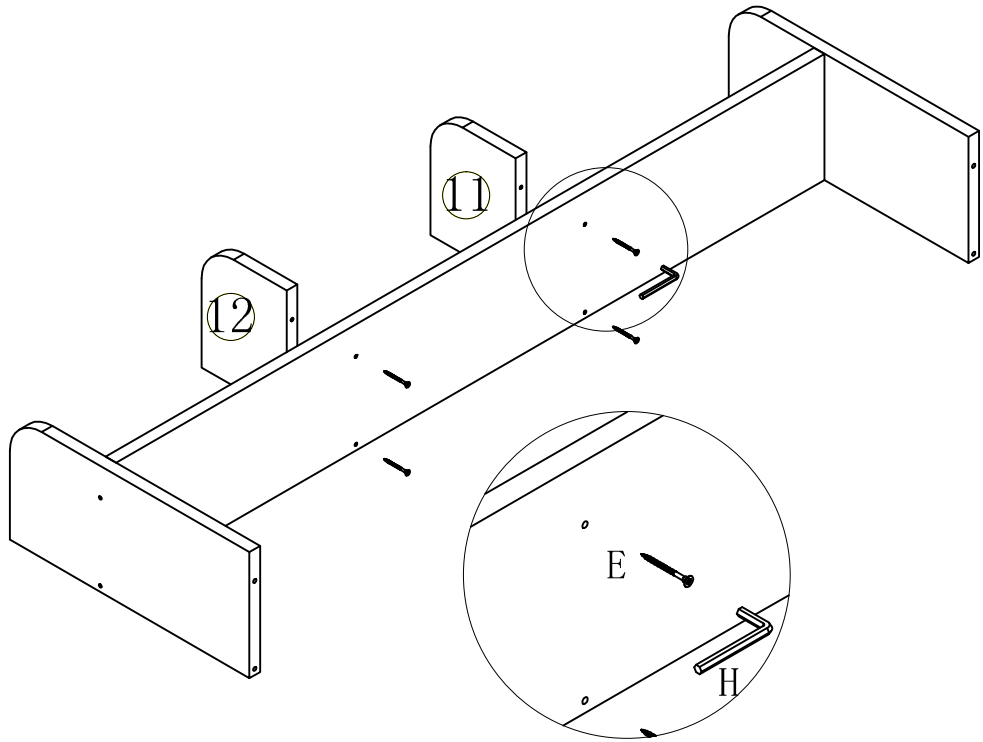
Step5



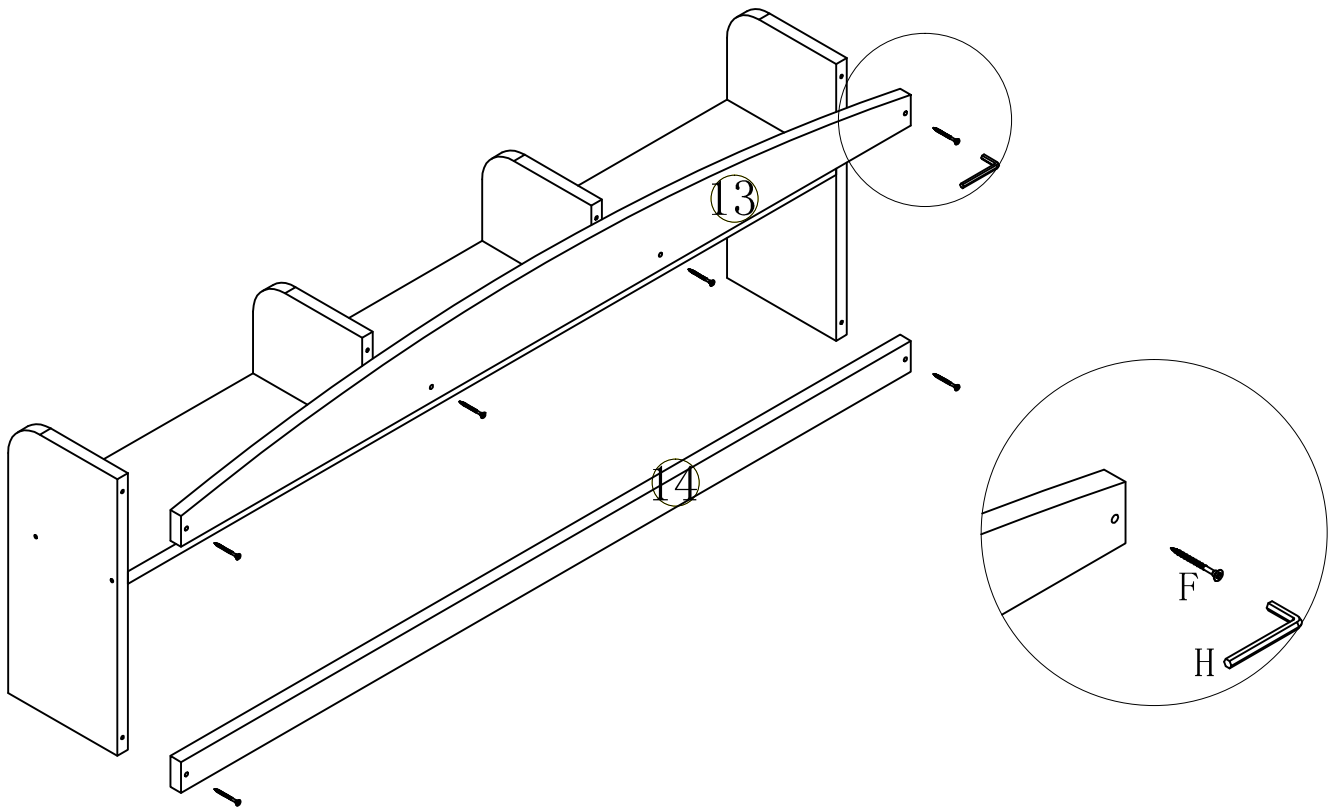
Step6



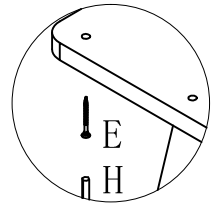
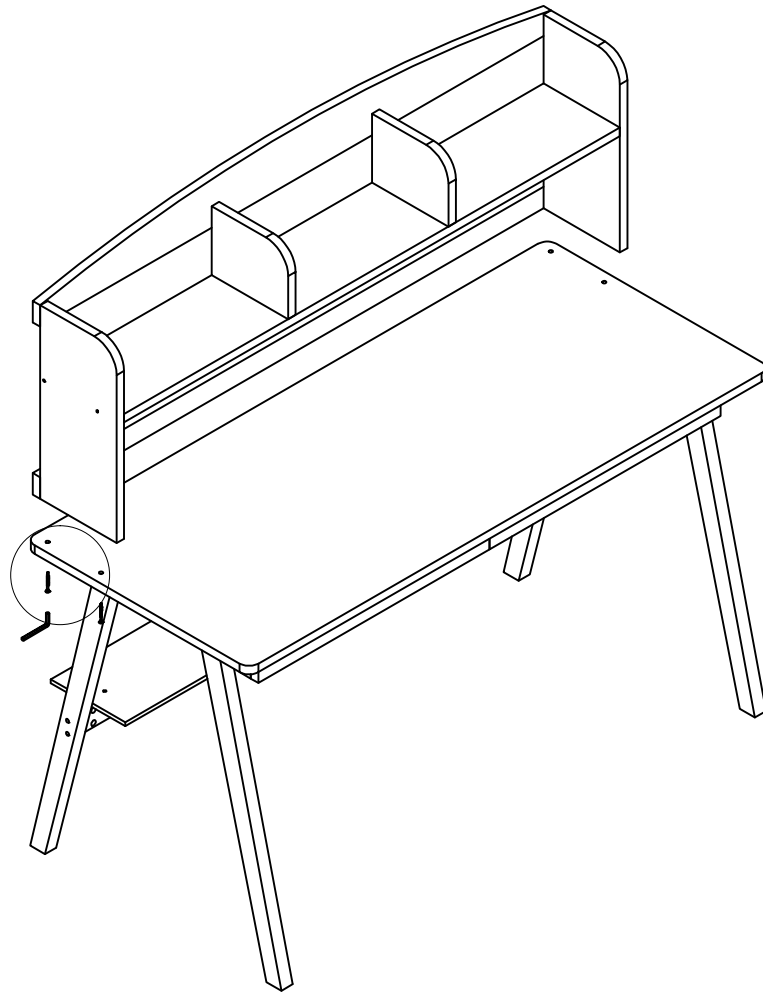
Step7



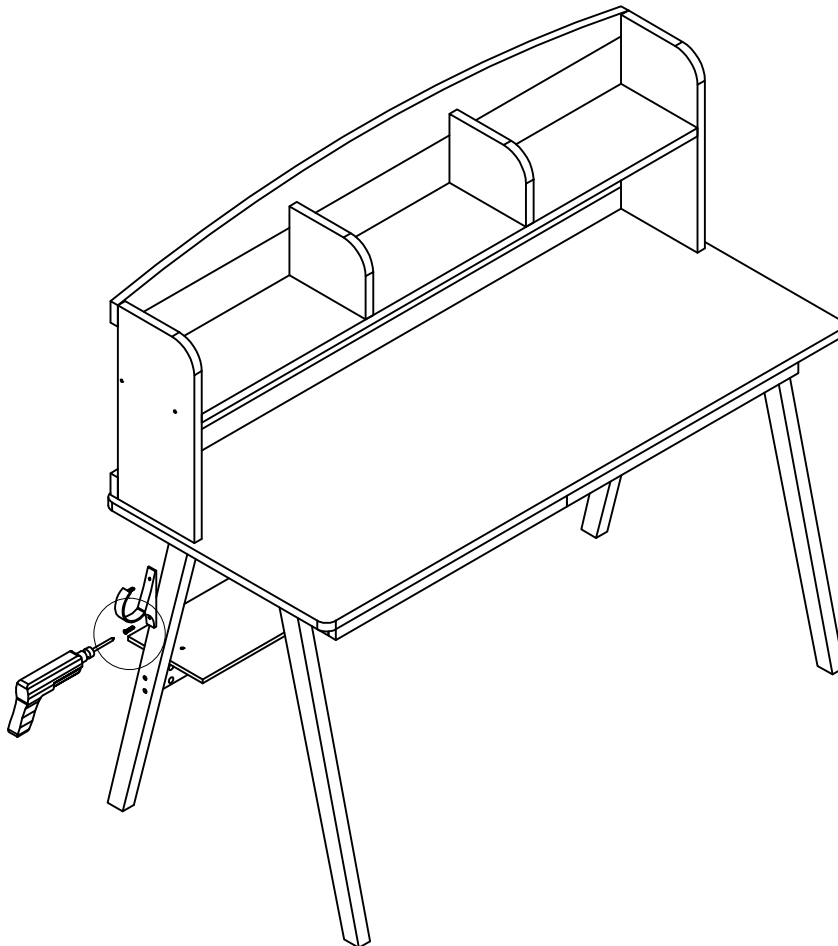
Step8



Step9



Step10



Step 11

