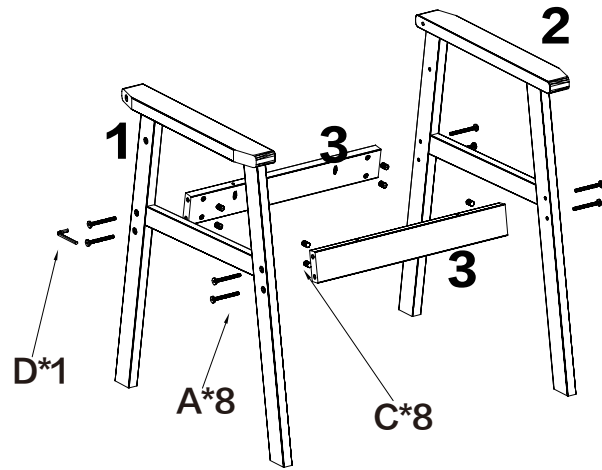


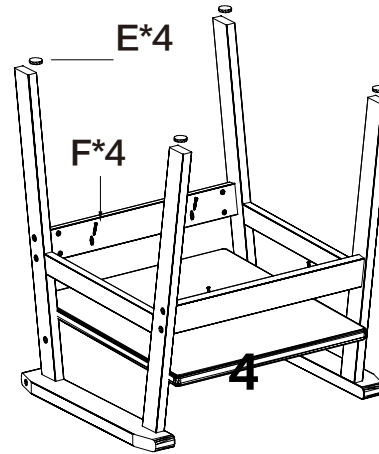
Installation diagram

Step1: : Install front and rear bracing strips.



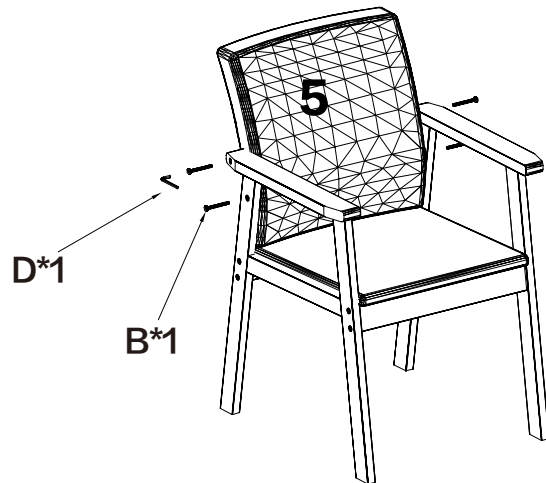
Use accessories A、 C、 D

Step2: Install the seat plate



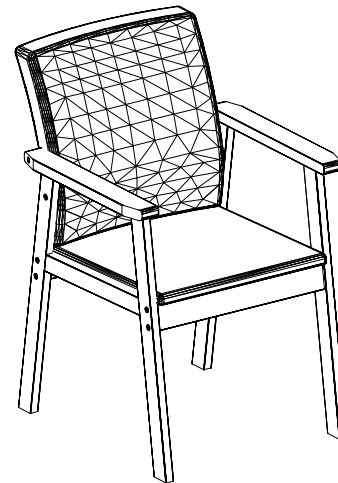
Use accessories F、 E







Step3: Install the backplane



Use accessories B、 D

Step4: Complete installation



	Parts List	pcs
A	M6*60 	8
B	M6*40 	4
C	10*13 	8
D		1
E	4*25 	4
F		4

S/N	Name	pcs
1	Left side frame	1
2	Right side frame	1
3	Brace	2
4	Seat plate	1
5	backrest	1