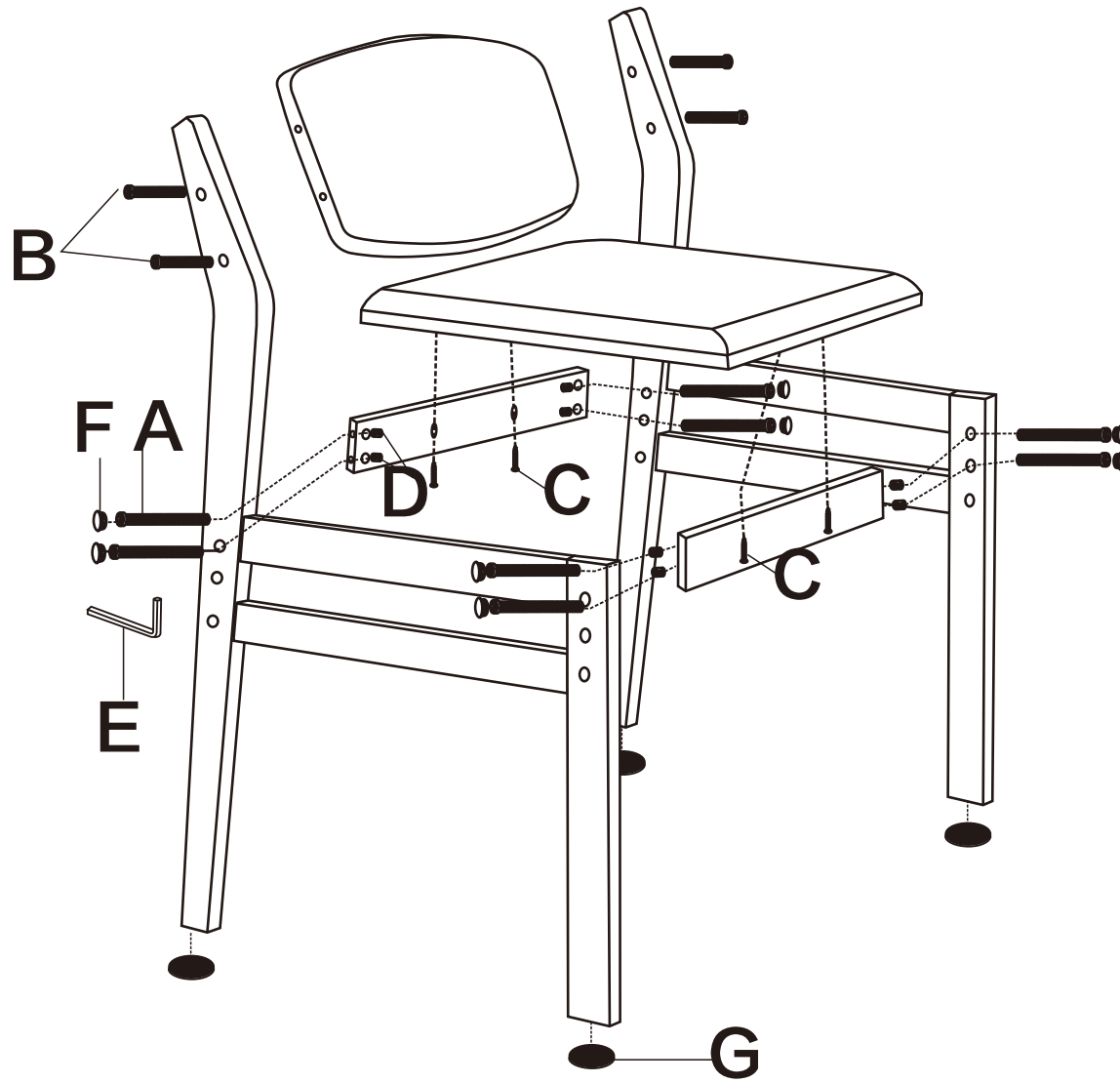
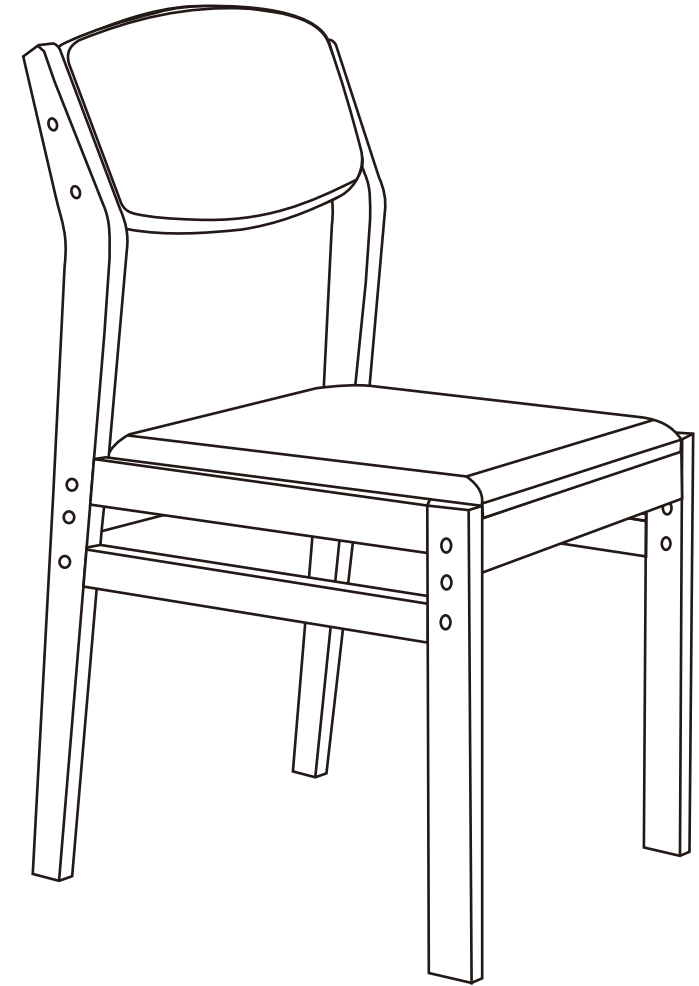


# Installation diagram

## Step1: Install chair feet and board



## Step2: Installation complete



A



B



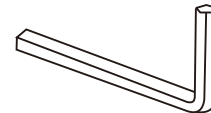
C



D



E



F



G

