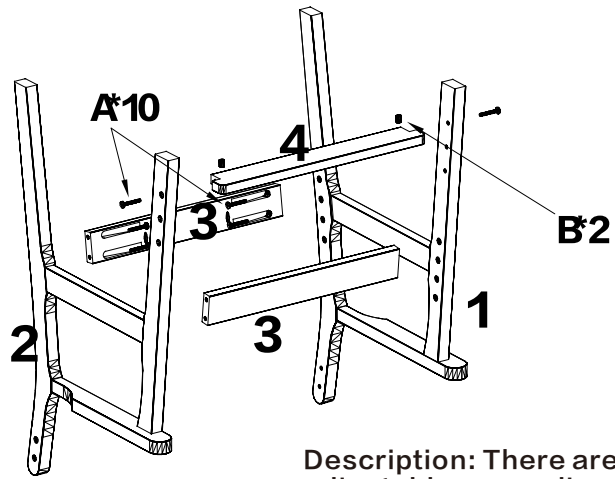


# Installation diagram

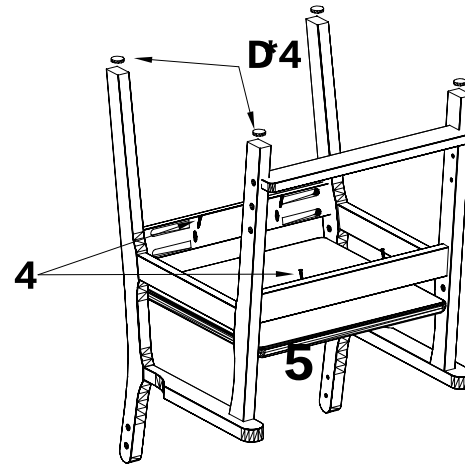
**Step1: Install front and rear brace and foot**



Description: There are 3 gear adjustable, according to the use of self-locking.

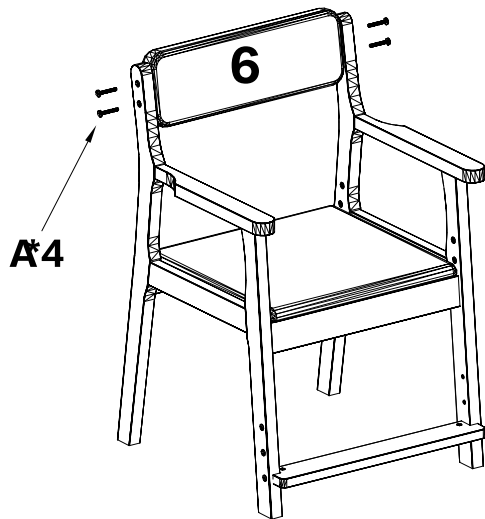
Use accessories A、 B、

**Step2: Install seat plate**



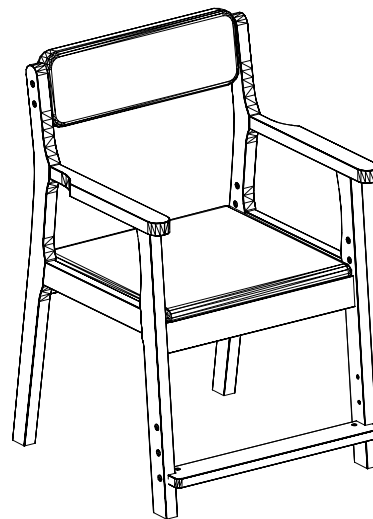
Use accessories C、 D、

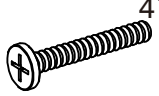



**Step3 : Installing a backplane**



Use accessories A、

**Step4: Installation complete**



	Parts List	pcs
A	 4*40	14
B	 4*30	5
C	 10*13	2
D		4

S/N	Name	pcs
1	Left side frame	1
2	Right side frame	1
3	Brace	2
4	Pedal	1
5	Seat plate	1
7	Backrest	1