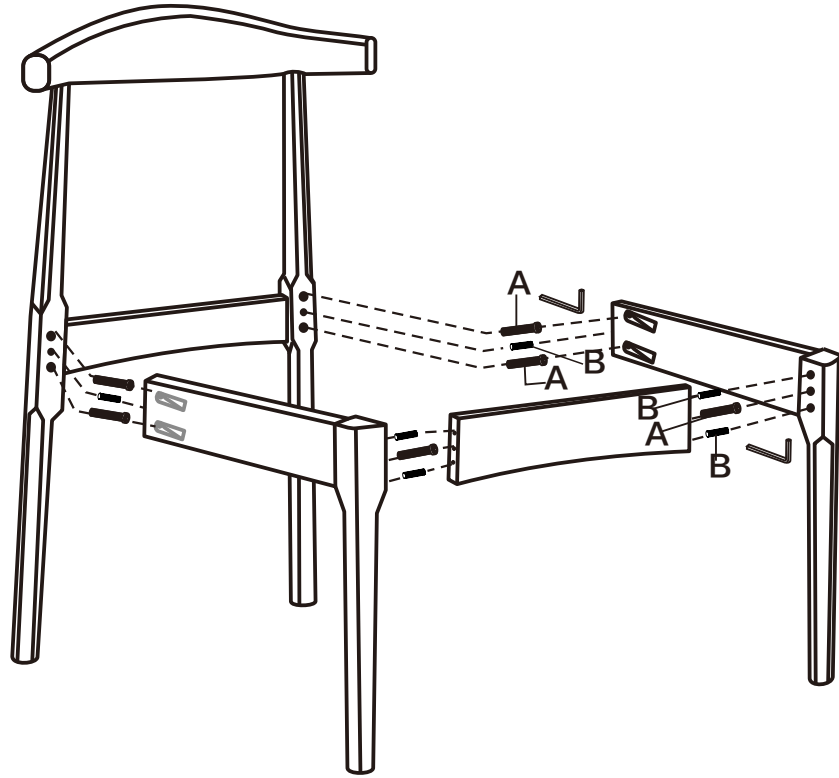
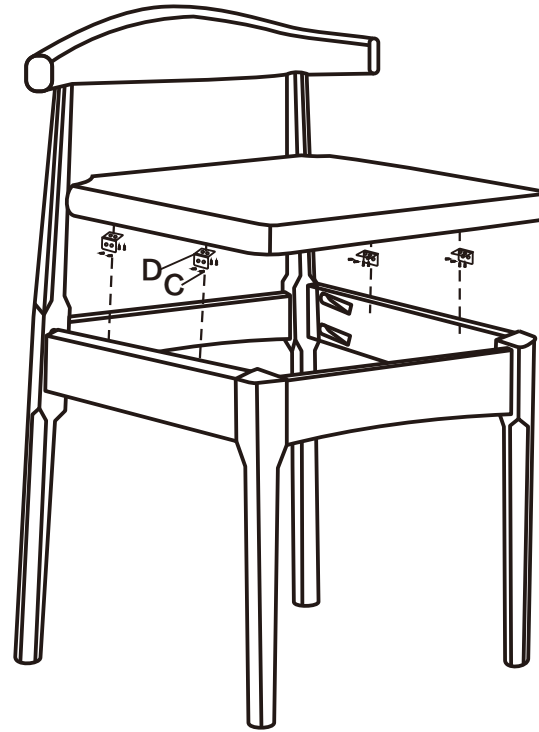


Chair installation drawing

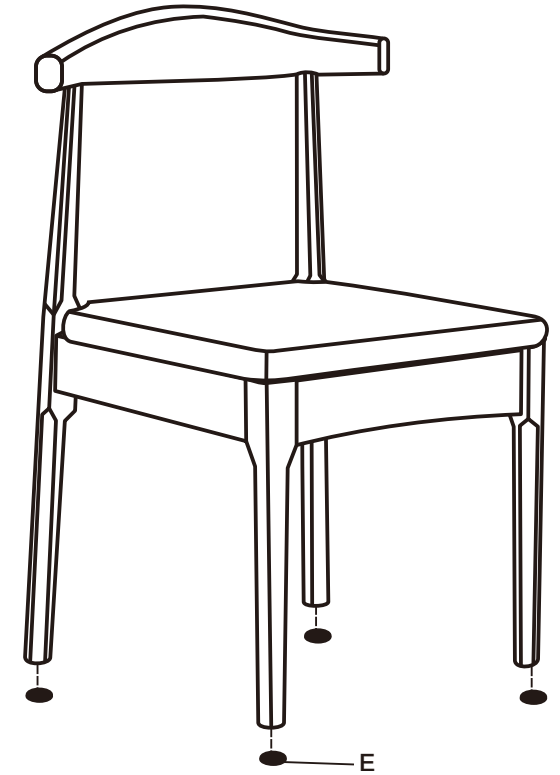
[1] Using part AB, install the frame and tighten part F



[2] Use accessory DC to secure the seat cushion



[3] Installation completed



A



6pcs

B



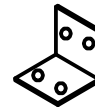
6pcs

C



16pcs

D



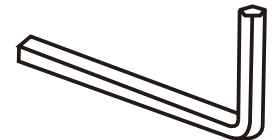
4pcs

E



4pcs

F



1pcs