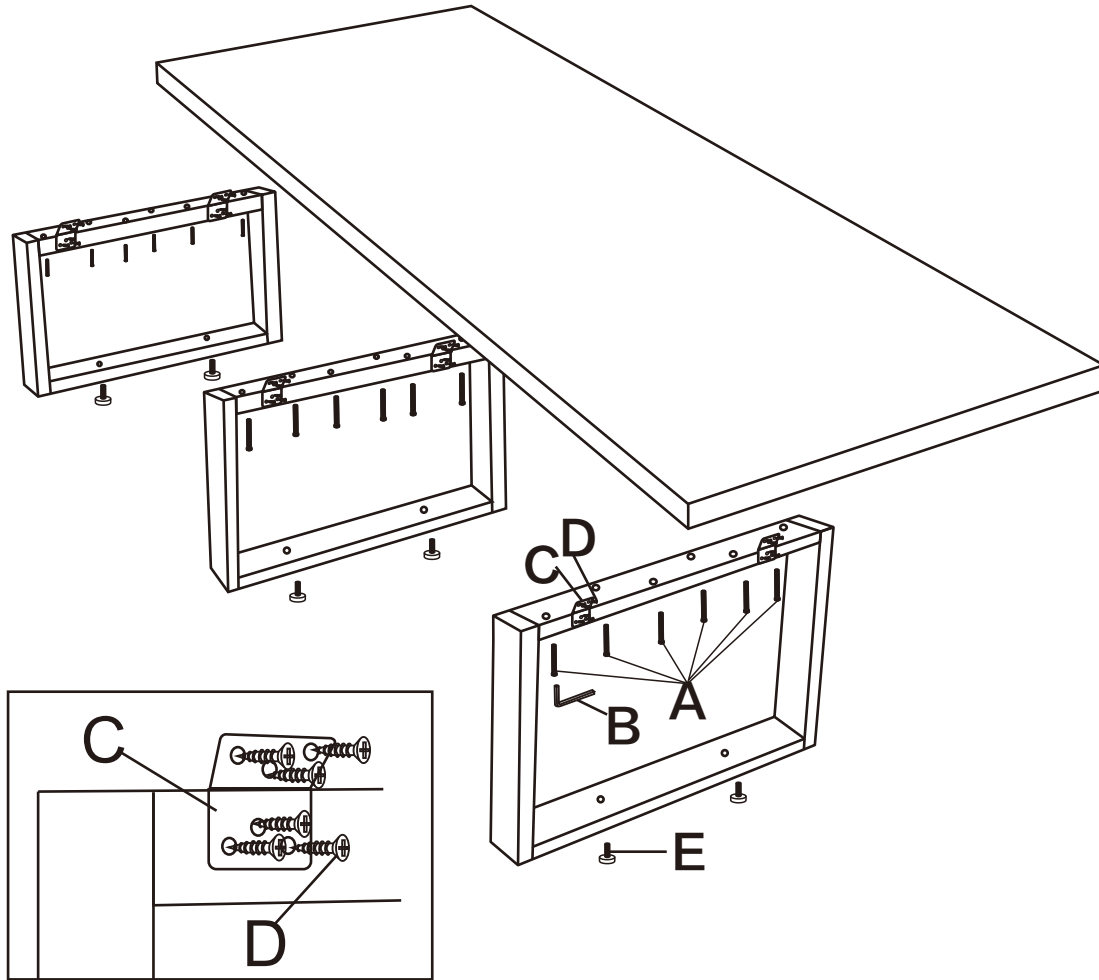
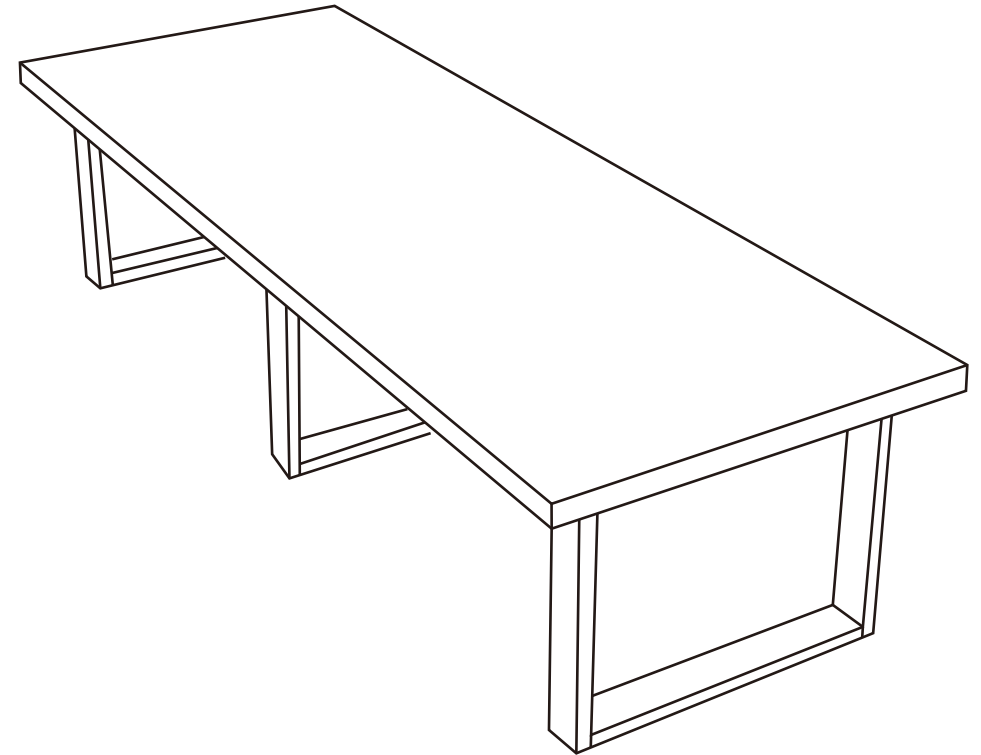


Dresser installation diagram

Step1: Install support leg



Step2: Installation complete



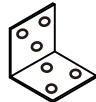
A 18pcs



B 1pcs



C 6pcs



D 36pcs



E 6pcs

