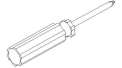
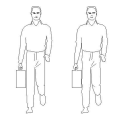


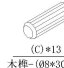
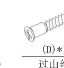



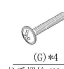


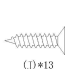
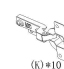






























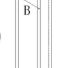



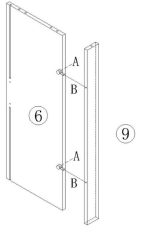
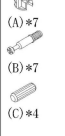
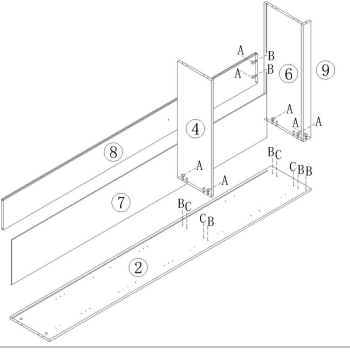
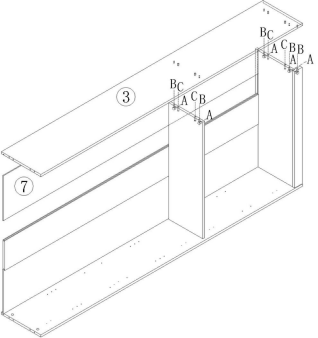
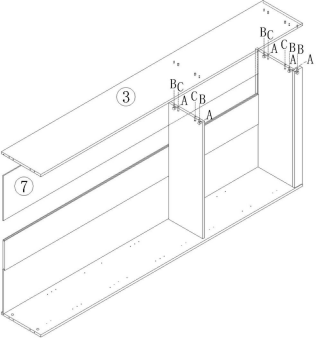
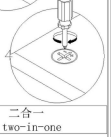
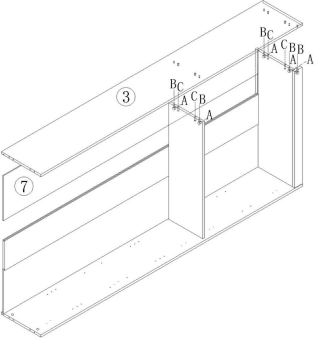
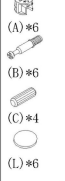
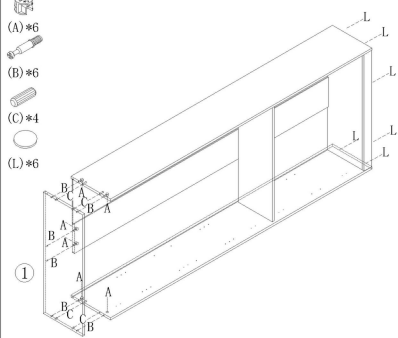




LINSY 林氏家居		五金表/Hardware list				部件表/Parts List					
<b>安装示意图/Assembly Instruction</b> 产品名称 Model NO. MI3X-A 0.8M 产品规格 Specification 798*320*2000MM 安装工具 Tool  安装人数 Installer 		 (A)*2 大三合一锁扣 3-in-1 large lock	 (B)*2 二合一螺杆 2-in-1 screw	 (C)*13 木榫-Ø8*30mm Wood tenon	 (D)*1 冠山钉 Conifrat screw	编号NO. 名称Name 规格 (MM) Specification 数量QTY 材质Material	1	顶板Top board	798*300*15	1	三胺板 Melamine
		 (E)*16 层板托5mm shelf support	 (F)*4 铝合金黑色亮光拉手 Handle	 (G)*4 拉手螺丝-Ø4.20mm Pulling screw	 (H)*2 家具防倒器白色 Anti-fall device	2	左侧板Side board(L)	1985*300*15	1	三胺板 Melamine	
		 (I)*13 背板扣 White buckle	 (J)*13 自攻螺丝M3.5*16 Topping screw	 (K)*10 缓冲门吸大号-杯形Ø35 Great bond hinge	 (L)*6 灰色毛毡脚垫 Foot pad	3	右侧板Side board(R)	1985*300*15	1	三胺板 Melamine	
		 (M)*16 层板托5mm shelf support	 (N)*4 铝合金黑色亮光拉手 Handle	 (O)*4 拉手螺丝-Ø4.20mm Pulling screw	 (P)*2 家具防倒器白色 Anti-fall device	4	层板Shelf	766*258*15	1	三胺板 Melamine	
		 (Q)*16 层板托5mm shelf support	 (R)*4 铝合金黑色亮光拉手 Handle	 (S)*4 拉手螺丝-Ø4.20mm Pulling screw	 (T)*2 家具防倒器白色 Anti-fall device	5	活动层板Movable shelf	766*258*15	4	三胺板 Melamine	
		 (U)*16 层板托5mm shelf support	 (V)*4 铝合金黑色亮光拉手 Handle	 (W)*4 拉手螺丝-Ø4.20mm Pulling screw	 (X)*2 家具防倒器白色 Anti-fall device	6	底板Bottom board	766*283*15	1	三胺板 Melamine	
		 (Y)*16 层板托5mm shelf support	 (Z)*4 铝合金黑色亮光拉手 Handle	 (AA)*4 拉手螺丝-Ø4.20mm Pulling screw	 (AB)*2 家具防倒器白色 Anti-fall device	7	背板Back board	1938*295*5	2	三胺板 Melamine	
		 (AC)*16 层板托5mm shelf support	 (AD)*4 铝合金黑色亮光拉手 Handle	 (AE)*4 拉手螺丝-Ø4.20mm Pulling screw	 (AF)*2 家具防倒器白色 Anti-fall device	8	背拉条Back brace	1928*196*15	1	三胺板 Melamine	
		 (AG)*16 层板托5mm shelf support	 (AH)*4 铝合金黑色亮光拉手 Handle	 (AI)*4 拉手螺丝-Ø4.20mm Pulling screw	 (AJ)*2 家具防倒器白色 Anti-fall device	9	底拉条Bottom brace	766*58*15	1	三胺板 Melamine	
		 (AK)*16 层板托5mm shelf support	 (AL)*4 铝合金黑色亮光拉手 Handle	 (AM)*4 拉手螺丝-Ø4.20mm Pulling screw	 (AN)*2 家具防倒器白色 Anti-fall device	10	门板组立 Door plank assembly	1248*380*15	2	三胺板+亚克力 Melamine+Acrylic	
		 (AO)*16 层板托5mm shelf support	 (AP)*4 铝合金黑色亮光拉手 Handle	 (AQ)*4 拉手螺丝-Ø4.20mm Pulling screw	 (AR)*2 家具防倒器白色 Anti-fall device	11	下门板Under door board	672*380*15	2	三胺板 Melamine	

MI3X-A 0.8M 安装方法/ Installation method		1		2	
 (A)*2 (B)*2		 (A)*7 (B)*7 (C)*4		 (A)*5 (B)*5 (C)*4	
 二合一 two-in-one		 (A)*6 (B)*6 (C)*4 (L)*6		 (A)*6 (B)*6 (C)*4 (L)*6	

<p>MI3X-A 0.8M</p> <p><b>安装方法/ Installation method</b></p> <p>大弯big bend</p> <p>中弯middle bending</p> <p>直弯straight bending</p> <p>侧板 side board</p> <p>门板 door panel</p> <p>调节上下 Adjust up and down</p> <p>调节左右 Adjust left and right</p> <p>调节前片 Before and after adjustment</p> <p>门铰 Hinge</p>	<p>(E)*16</p> <p>5</p> <p>(K)*10 (F)*4 (G)*4</p> <p>侧板 Side plate</p> <p>层板托5mm shelf support</p>	<p>6</p> <p>温馨提示: 部件 (10) 安装好后, 将亚克力保护膜撕掉</p> <p>Tips: After component (10) is installed, tear off the acrylic protective film</p>
<p>(I)*12 (J)*12 (D)*1</p>	<p>7</p>	<p>8</p>

<p>MI3X-A 0.8M</p> <p>(H)*2</p> <p>实体墙 Solid wall</p> <p>H处放大图 Enlarged drawing</p>	
---	--